

# BUTTERFLY VALVES

## General Purpose Butterfly Valves – 141 & 145 Series

### LD/WD 141 SERIES

APOLLO INTERNATIONAL™



**WD 141**  
**Wafer**  
2" – 12"



**LD 141**  
**Lug**  
2" – 36"

### LD/WD 145 SERIES

MADE IN AMERICA



**WD 145**  
**Wafer**  
2" – 12"



**LD 145**  
**Lug**  
2" – 12"

The Apollo LD/WD Series ductile iron butterfly valves are ideal for use in industrial and HVAC/mechanical applications. The WD Series is a wafer style valve and the LD Series is a lug style.

### FEATURES

- Compatible with ANSI 125# & 150# flanges
- ISO 5211 top plate allows choice of Apollo pneumatic actuators and manual operators
- Conforms to MSS SP-67 & API 609
- LD141 Series suitable for end of line service to rated pressure
- 3"-24" meet performance requirements of AWWA C-504

### PRESSURE-TEMPERATURE RATING AT 100°F (37.8°C)

All Body, Disc, Seat Combinations

2"-12" (DN50 - DN300) 200 psi (13.8 bar)

14"-24" (DN350 - DN600) 150 psi (10.3 bar)

All Sizes – Vacuum Rating 29 inches of Hg

### Torque Rating (in. lbs.)

Valve Size <sup>1</sup>		Full Rated Pressures (psig)			
Inches	DN	ΔP50	ΔP100	ΔP150	ΔP200
2	50	100	106	111	117
2.5	65	150	163	176	189
3	80	207	220	232	244
4	100	290	323	357	390
5	125	423	481	540	598
6	150	599	691	783	875
8	200	1060	1183	1307	1430
10	250	1671	1872	2074	2275
12	300	2568	2795	3023	3250
14	350	2640	3070	3500	N/A
16	400	4260	4880	5500	N/A
18	450	6287	7243	8200	N/A
20	500	8360	9180	10000	N/A
24	600	15427	16813	18200	N/A

<sup>1</sup> LD (2"-24"); WD (2"-12"); LC (2"-12")



See Butterfly Valves Catalog (ABBR141G) for more detailed information about the products in this section.

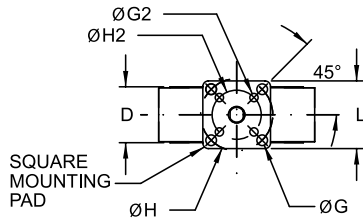
Customer Service (704) 841-6000

# COMMERCIAL PRODUCTS CATALOG

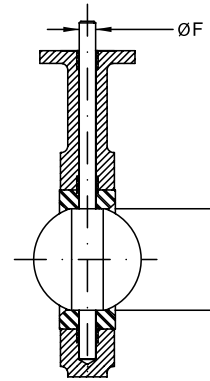
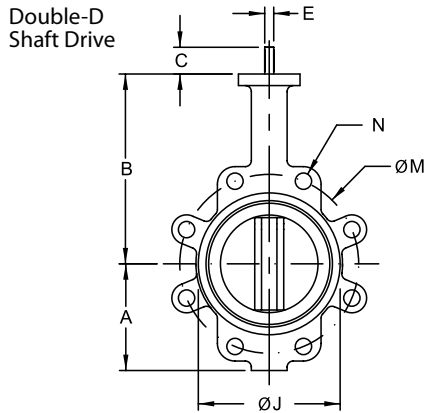
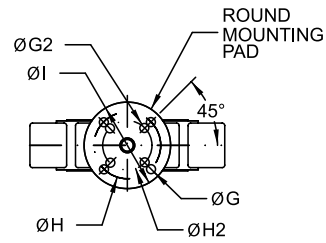
## General Purpose Butterfly Valves – 141 & 145 Series

### LD MODEL

2" - 12"



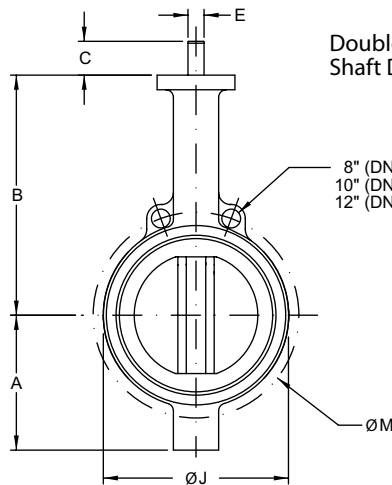
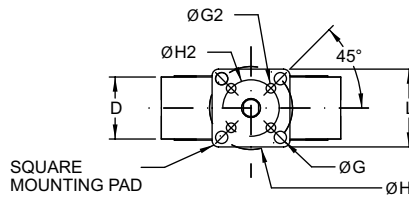
14" - 24"



Shaft Drive:  
Double-D (14")  
Round & Keyed (16" & larger)

### WD MODEL

2" - 12"



Double-D  
Shaft Drive

8" (DN 200) : 2 HOLES, 0.98" DIAMETER  
10" (DN 250) : 2 HOLES, 0.98" DIAMETER  
12" (DN 300) : 2 HOLES, 0.98" DIAMETER

# BUTTERFLY VALVES

## General Purpose Butterfly Valves – 141 & 145 Series

Size Inches	Size DN	Dimensions in Inches – 141 & 145 Series								
		A	B	C	D	E	ØF	ØG	ØG2	Key
2	50	3.25	6.38	1.25	1.75	0.394	0.496	0.375	--	--
2-1/2	65	3.75	6.88	1.25	1.88	0.394	0.496	0.375	--	--
3	80	4.00	7.13	1.25	1.88	0.394	0.496	0.375	--	--
4	100	4.88	7.88	1.25	2.13	0.472	0.621	0.375	--	--
5	125	5.38	8.38	1.25	2.25	0.551	0.745	0.375	--	--
6	150	5.88	8.88	1.25	2.25	0.551	0.745	0.375	--	--
8	200	7.13	10.25	1.75	2.50	0.669	0.870	0.563	0.438	--
10	250	8.25	11.50	1.88	2.75	0.866	1.120	0.563	0.438	--
12	300	9.75	13.25	1.88	3.13	0.945	1.244	0.563	--	--
14	350	11.00	14.50	1.88	3.13	0.945	1.244	0.563	--	--
16	400	12.00	15.75	2.00	3.50		1.313	0.563	--	.313 sq
18	450	14.38	16.63	2.00	4.25		1.500	0.813	--	.375 sq
20	500	14.63	18.88	2.50	5.25		1.625	0.813	--	.375 sq
24	600	18.00	22.13	2.75	6.13		2.000	0.813	--	.500 sq

Size Inches	Dimensions in Inches – 141 & 145 Series								
	ØH	ØH2	ØI	ØJ	K	L	M	N (# Holes)	N (Tap UNC)
2	2.756	--	2.70	4.00	2.09	1.113	4.75	4	.625-11
2-1/2	2.756	--	2.70	4.75	2.54	1.706	5.50	4	.625-11
3	2.756	--	2.70	5.13	3.09	2.450	6.00	4	.625-11
4	2.756	--	2.70	6.75	4.09	3.488	7.50	8	.625-11
5	2.756	--	2.70	7.75	4.85	4.296	8.50	8	.750-10
6	2.756	--	2.70	8.63	6.13	5.697	9.50	8	.750-10
8	4.921	4.015	4.61	10.56	7.89	7.468	11.75	8	.750-10
10	4.921	4.015	4.61	13.06	9.89	9.484	14.25	12	.875-9
12	4.921	--	4.61	16.00	11.89	11.456	17.00	12	.875-9
14	4.921	--	Ø5.91	17.13	13.38	13.000	18.75	12	1.00-8
16	4.921	--	Ø5.91	20.00	15.38	14.970	21.25	16	1.00-8
18	6.496	--	Ø8.27	21.38	17.38	16.847	22.75	16	1.125-7
20	6.496	--	Ø8.27	23.31	19.38	18.650	25.00	20	1.125-7
24	6.496	--	Ø8.27	27.88	23.38	22.558	29.50	20	1.125-7

### Approximate Weight for Bare Shaft Valve

Valve Size		WD Model Lbs (kg)	LD Model Lbs (kg)
Inches	DN		
2	50	6 (2.7)	8 (3.6)
2.5	65	6 (2.7)	10 (4.5)
3	80	7 (3.2)	11 (5.0)
4	100	11 (5.0)	17 (7.7)
5	125	13 (5.9)	20 (9.1)
6	150	16 (7.3)	23 (10.4)
8	200	29 (13.2)	39 (17.7)
10	250	44 (20.0)	62 (28.1)
12	300	70 (31.8)	97 (44.0)
14	350		148 (67.1)
16	400		206 (93.4)
18	450		277 (125.6)
20	500		410 (186.0)
24	600		592 (268.5)



See Butterfly Valves Catalog (ABBR141G) for more detailed information about the products in this section.

Customer Service (704) 841-6000