

# COMMERCIAL PRODUCTS CATALOG

## Water Pressure Reducing Valves

### PRC (36C) SERIES

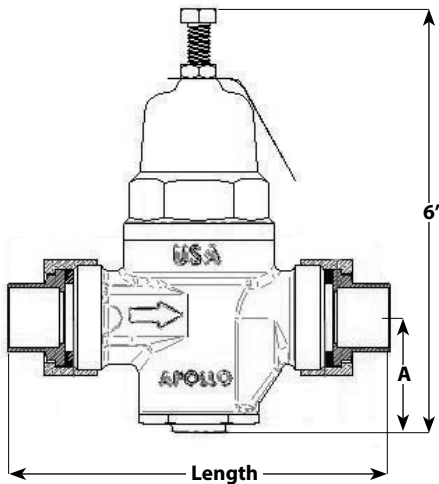


### RESIDENTIAL AND COMMERCIAL APPLICATIONS

The Apollo® 36C reduces wasteful high supply pressures to lower manageable pressures. All-bronze body, dielectric polymer cage, stainless steel strainer and trim. In line repairable with bottom access without disturbing pressure setting.

### FEATURES

- EPDM FDA grade diaphragm
- Standard factory setting: 50 psi
- Adjusts from 25 to 75 psi (standard)
- Sealed cage with stainless steel adjusting screw
- Balanced piston design
- Built-in thermal expansion by-pass
- Integral SS strainer
- 400 psi max. supply pressure
- Single or double union, female NPT, PEX, CPVC, Press, or solder-joint connections
- ASSE 1003 & CSA B356
- IAPMO listed
- City of Los Angeles approved
- **Lead Free** option (36CLF)
- **Made in USA**



Series Number	LF Series Number	Size (in.)	Dimensions (in.)		Wt./100 (lbs.)
			Length	A	
<b>FNPT Inlet x Outlet (no union)</b>					
36C-203	36CLF-203	1/2	3.50	1.62	200
36C-204	36CLF-204	3/4	3.50	1.62	200
36C-205	36CLF-205	1	3.75	1.50	225
<b>FNPT Union Inlet x FNPT Outlet</b>					
36C-103	36CLF-103	1/2	4.41	1.62	240
36C-104	36CLF-104	3/4	4.41	1.62	240
36C-105	36CLF-105	1	4.75	1.50	270
<b>Sweat Union Inlet x FNPT Outlet</b>					
36C-303	36CLF-303	1/2	4.41	1.62	240
36C-304	36CLF-304	3/4	4.75	1.62	240
36C-305	36CLF-305	1	4.41	1.50	270
<b>CPVC Union Inlet x FNPT Outlet</b>					
36C-304-01C	36CLF-304-01C	3/4	4.75	1.62	240
36C-305-01C	36CLF-305-01C	1	4.41	1.50	270
<b>Double Union/Threaded Inlet x Threaded Outlet</b>					
36C-403	36CLF-403	1/2	5.37	1.62	280
36C-404	36CLF-404	3/4	5.37	1.62	280
36C-405	36CLF-405	1	5.87	1.50	310
<b>Double Union/Sweat Inlet x Sweat Outlet</b>					
36C-503	36CLF-503	1/2	5.37	1.62	280
36C-504	36CLF-504	3/4	5.37	1.62	280
36C-505	36CLF-505	1	5.87	1.50	310
<b>Double Union CPVC Inlet x CPVC Outlet</b>					
36C-504-01C	36CLF-504-01C	3/4	5.37	1.62	280
36C-505-01C	36CLF-505-01C	1	5.87	1.50	310
<b>Double Union/Pex Inlet x Pex Outlet</b>					
36C-903	36CLF-903	1/2	5.625	1.62	280
36C-904	36CLF-904	3/4	5.625	1.62	280
36C-905	36CLF-905	1	6.125	1.62	285

### PART NUMBER MATRIX

36C	36CLF	X	X	X	X	X
CONNECTION	SIZE	GAUGE	PRESSURE (ADJUSTABLE)	OPTION		
1 - Single Union NPT	03 - 1/2"	0 - No Gauge	1 - 25-75 psig	C - CPVC Tailpiece		
2 - No Union NPT	04 - 3/4"	P - With Gauge Port Plugged	2 - 10-35 psig	X - Extended Union		
3 - Single Union Solder x NPT	05 - 1"	G - With Gauge	3 - 75-125 psig	PR - Press		
4 - Double Union NPT						
5 - Double Union Solder						
6 - Single Union Meter						
9 - Double Union Pex						

