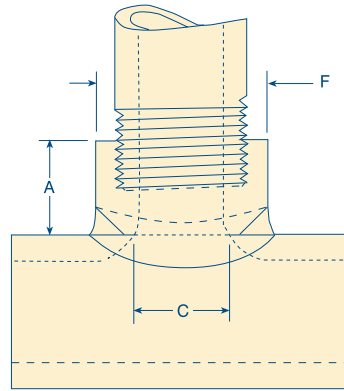
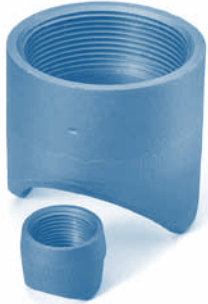


Forged



Coupolet™ fittings are for use in fire protection sprinkler systems and other low pressure piping systems.

- 300# rating
- NPT female threads
- Heat lot traceability on each piece
- U.L. listed / F.M. approved

300#FemaleThreadedCoupolet

Nominal Outlet Size	Dimensions		
	A	C	F
1/2"	15/16	0.745	1.188
3/4"	1	0.958	1.441
1"	1-3/16	1.188	1.562
1-1/4"	1-5/16	1.550	1.906
1-1/2"	1-9/16	1.780	2.188
2"	1-11/16	2.260	2.750
2-1/2"	1-13/16	2.890	3.386
3"	2-1/2	3.400	4.000
4"	3	4.380	5.000

Additional dimensions available upon request.
NOTE: In order to eliminate "Blind Holes" cut hole in pipe prior to welding.

InterchangeabilityorCombinationofSizes

Coupolet Outlet Size	Run Sizes										
	1/2	3/4	1-1/4 - 1	2-1/2 - 1-1/2	8-3	36-10					
1/2"	1/2	3/4	1-1/4 - 1	2-1/2 - 1-1/2	8-3	36-10					
3/4"	3/4	1	2 - 1-1/4	6 - 2-1/2	36-8						
1"	1	1-1/4	2 - 1-1/2	4 - 2-1/2	8-5	36-10					
1-1/4"	1-1/4	1-1/2	2-1/2 - 2	4-3	8-5	36-10					
1-1/2"	1-1/2	2	2-1/2	4-3	8-5	16-10	36-18				
2"	2	2-1/2	3	3-1/2	4	5	6	8	10	16-12	36-18
2-1/2"	2-1/2	3	3-1/2	4	5	6	8	12-10	16-14	36-18	
3"	3	3-1/2	4	5	6	8	10	12	14	18-16	36-20
4"	5	6	8	10	14-12	16	18	20	24	36	