

COMMERCIAL PRODUCTS CATALOG

Contractor Grade Butterfly Valves – 149 Series

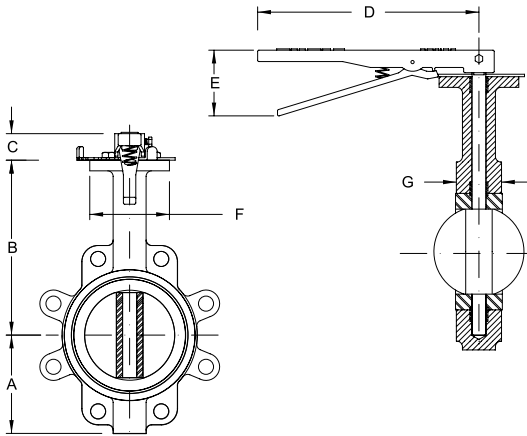
LC-149 SERIES

APOLLO INTERNATIONAL™

The LC149 Series Cast Iron Butterfly Valves are ideal for use in Industrial and HVAC/Mechanical applications. The LC149 Series is a lug style valve designed to be economical yet full featured.

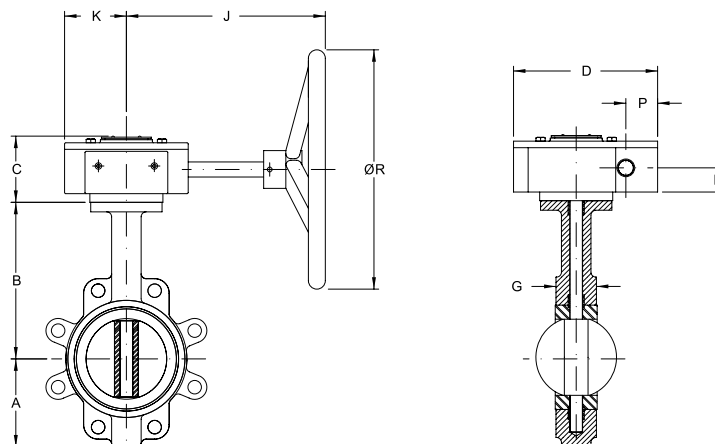
PERFORMANCE RATING

- Max Operating Pressure: 200 psi (13.8 bar)
- Temperature Range: -30°F (-34°C) to 275°F (135°C)
- Cast iron body, EPDM seats and aluminum bronze disc is standard



Size (in)	Dimensions in Inches – 149 Series with Handle						
	A	B	C	D	E	F	G
2	3.25	6.38	1.25	10.5	3.1	2.70	1.75
2-1/2	3.75	6.88	1.25	10.5	3.1	2.70	1.88
3	4.00	7.13	1.25	10.5	3.1	2.70	1.88
4	4.88	7.88	1.25	10.5	3.1	2.70	2.13
5	5.38	8.38	1.25	10.5	3.1	2.70	2.25
6	5.88	8.88	1.25	10.5	3.1	2.70	2.25
8	7.13	10.25	1.75	14.3	3.5	4.61	2.50
10	8.25	11.50	1.88	14.3	3.5	4.61	2.75
12	9.75	13.25	1.88	14.3	3.5	4.61	3.13

Size (in)	Dimensions in Inches – 149 Series with Optional Gear Operator									
	A	B	C	D	G	H	J	K	P	ØR
8	7.13	10.25	3.38	8.00	2.50	1.62	9.48	3.25	1.50	11.88
10	8.25	11.50	3.38	8.00	2.75	1.62	9.48	3.25	1.50	11.88
12	9.75	13.25	3.38	8.00	3.13	1.62	9.48	3.25	1.50	11.88



BUTTERFLY VALVES

How to Order WD141 and LD141 Butterfly Valves – Apollo International™

MODEL NUMBER:

WD	141	06	B	E	1	1
SERIES	SIZE (IN.)	DISC MATERIAL	SEAT MATERIAL	OPERATOR		
WD	Wafer Body	02 2"	B Aluminum Bronze	E Black EPDM * -30°F to 275°F -34°C to 135°C	0 Bare Shaft - None	
	Ductile Iron	25 2.5"	D Ductile Iron A536 Nickel Plated		1 10 Position Handle	
LD	Lug Body	03 3"	S Stainless Steel, CF8M	N Black BUNA-N * 10°F to 180°F -12°C to 82°C	2 Gear Operator - Direct Mount	
		04 4"			3 Infinite Position Handle	
	Ductile Iron	05 5"	4 Locking Handle			
	06 6"	5 Gear Operator w/Chainwheel				
	08 8"	7 Locking Gear Operator				
	10 10"	8 Locking Gear Operator w/Chainwheel				
	12 12"					
	14 14"					
	16 16"					
	18 18"					
20 20"						
24 24"						
				* FDA Food Grade		

EXAMPLE:

WD141-06-BE-11: 6" WD141 Series, Ductile Iron Wafer Body, Aluminum Bronze Disc, Black EPDM Seat, 416 SS Shaft with 10 Position Handle

How to Order WD145 and LD145 Butterfly Valves – Made in America

MODEL NUMBER:

WD	145	06	B	E	1	1
SERIES	SIZE (IN.)	DISC MATERIAL	SEAT MATERIAL	OPERATOR		
WD	Wafer Body	02 2"	B Aluminum Bronze	E Black EPDM * -30°F to 275°F -34°C to 135°C	0 Bare Shaft - None	
	Ductile Iron	25 2.5"	D Ductile Iron A536 Nickel Plated		1 10 Position Handle	
LD	Lug Body	03 3"	S Stainless Steel, CF8M	N Black BUNA-N * 10°F to 180°F -12°C to 82°C	2 Gear Operator - Direct Mount	
		04 4"			3 Infinite Position Handle	
	Ductile Iron	05 5"			4 Locking Handle	
	06 6"	5 Gear Operator w/Chainwheel				
	08 8"	7 Locking Gear Operator				
	10 10"	8 Locking Gear Operator w/Chainwheel				
12 12"						
				* FDA Food Grade		

EXAMPLE:

WD145-06-BE-11: 6" WD145 Series, Ductile Iron Wafer Body, Aluminum Bronze Disc, Black EPDM Seat, 416 SS Shaft with 10 Position Handle



See Butterfly Valves Catalog (ABBR141G) for more detailed information about the products in this section.

Customer Service (704) 841-6000

COMMERCIAL PRODUCTS CATALOG

How to Order LC149 Butterfly Valves - Contractor Grade

MODEL NUMBER:

LC149

06

1

SERIES NUMBER	SIZE (IN)	OPERATOR
LC149	02 - 2	1 - 10 POSITION HANDLE (2" - 12")
Cast Iron Lug Body	25 - 2.5	2 - GEAR OPERATOR (8" - 12" ONLY)
Aluminum Bronze Disc	03 - 3	
416 SS Shaft	04 - 4	
Black EPDM Seat	05 - 5	
	06 - 6	
	08 - 8	
	10 - 10	
	12 - 12	

EXAMPLE:

LC149-06-1: 6" LC149 Series, Cast Iron Body, Aluminum Bronze Disc, Black EPDM Seat, 416 SS Shaft with 10 Position Handle