

## Fig. 127

### Plastic Ceiling Plate

**Size Range:**  $\frac{3}{8}$ " and  $\frac{1}{2}$ "

**Material:** Plastic

**Service:** Recommended for giving a finished appearance where rod enters ceiling.

**Installation:** Slide plate up rod until flush against ceiling.

**Features:**

- Highly economical
- Quickly installed
- Held firmly to rod by design and friction

**Ordering:** Specify rod size, figure number, name. (rod not included)



**FIG. 127: WEIGHT (LBS) • DIMENSIONS (IN)**

Rod Size A	Weight	Outside Dia.	Depth
$\frac{3}{8}$	0.07	$1\frac{13}{16}$	$\frac{1}{2}$
$\frac{1}{2}$			

## Fig. 395

### Cast Iron Ceiling Plate

**Size Range:**  $\frac{1}{2}$ " through 8"

**Material:** Cast iron

**Finish:** Plain or Galvanized

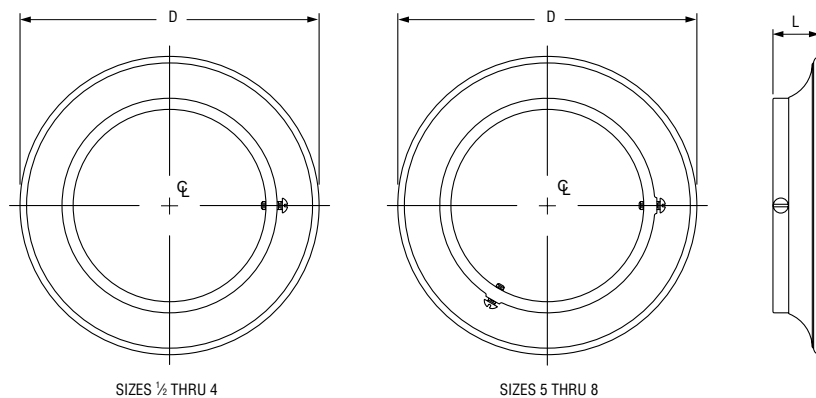
**Service:** Gives finished appearance where pipe enters ceiling.

**Installation:** Sizes  $\frac{1}{2}$ " to 4" furnished with one machine screw; sizes 5" to 8", two machine screws.

**Ordering:** Specify pipe size, figure number, name and finish.



**FIG. 395: WEIGHT (LBS) • DIMENSIONS (IN)**



Pipe Size	Weight	D - Dia.	L
$\frac{1}{2}$	0.21	$2\frac{7}{8}$	$\frac{3}{4}$
$\frac{3}{4}$	0.40	$3\frac{3}{8}$	1
1	0.41	$3\frac{5}{8}$	
$1\frac{1}{4}$	0.51	4	
$1\frac{1}{2}$	0.55	$4\frac{1}{4}$	
2	0.67	$4\frac{3}{4}$	
$2\frac{1}{2}$	0.93	$5\frac{1}{2}$	$1\frac{1}{8}$
3	1.10	$6\frac{1}{8}$	
4	1.40	$7\frac{1}{8}$	
5	2.50	$8\frac{11}{16}$	$1\frac{1}{4}$
6	3.10	$9\frac{3}{4}$	
8	3.30	$11\frac{3}{4}$	