

Titan 330 1080p L 3D

6,000 ANSI Lumens | Contrast Ratio: 2,000:1 | Part No:112-574



Colour System: 3-chip DLP®	DMD Specification: 1920 x 1080 pixels native. Fast transit pixels for smooth greyscale and improved contrast.
Display Type: 3 x 0.95" DarkChip™ DMD™	Aspect Ratio: 16x9 Fill Factor 87%

Key Features

Standard Inputs (1-8): Front End Video Capabilities

Video & Graphics Processing

- High bandwidth digital & analog receiver with 10 bit A-D.
- Automatic detection of interlaced video and implementation of 3:2 or 2:2 extraction as appropriate, with pixel based, motion adaptive interpolation and auto cadence correction.
- Displayed image frame locked to input with as low as 1 frame total latency.
- 24p and 1080p native display.
- Image enhancement for MPEG, Mosquito noise & color transients in composite sources.

Geometry Correction

- Cornerstone, Vertical & Horizontal Keystone, Pincushion & Barrel, and Image Rotation.
- Non-linear Warp adjustment by moving points on an interpolated grid.

Edge Blending

- Semi-automated multi projector tiling
- Correction for non-active pixels at the edge of the display.

Super Image Clarity

- Geometry correction and Edge Blending implemented in single stage process, retaining maximum image resolution.

Picture in Picture

- Two sources can be displayed either one within the other (PIP), or side by side, with original aspect ratios maintained.

ColorMax™

- Accurate matching of projectors in tiled or blended applications.
- User selection and storage of primary and secondary color targets.

High Bandwidth Inputs (9-11): Bypassing Front End for Minimal Latency

- Pixel mapped to the display.
- Dual Link DVI accepts frame rates up to 160Hz with latency as low as 1 frame.
- HDMI 1.4 for Side by Side, Frame Packing & Top Bottom formats.
- Dual Flash Processing can be used to multiply the displayed frame rate for 3D sources (example 144Hz display).
- FastFrame™ Smear Reduction.
- Dual Pipe processing: two sources in parallel for left and right eyes.
- Synchronisation of active glasses or polarising switcher.

Projector Controller Software

- Intuitive user interface for network control
- Simultaneous control of user-defined groups of projectors
- At-a-glance monitoring of projector status

Source Compatibility:

3GSDI is SMPTE 292M, SMPTE 259M-C and SMPTE 424M compliant.

HDMI and DVI include Deep Color™ processing up to 36 bit.

DVI inputs are HDMI compatible.

Digital Audio Extraction via SPDIF for HDMI sources.

Graphics standards up to 1920 x 1200 at 60Hz via DVI or VGA.

Component Video (SD and HD) via YPrPb, RGB or RGBS.

S-Video (PAL, NTSC & SECAM)

Composite Video (PAL, NTSC & SECAM)

High Bandwidth, Pixel Mapped Path:

Dual DVI accepts graphics standards up to 1920 x 1200 at 120Hz.

HDMI 1.4 including 3D Standards

Dual Pipe (2 x DVI)

Inputs/Outputs

Video & Computer			Communication & Control		
Type	Connector	Qty	Type	Connector	Qty
DVI-D / DVI-A	DVI-I	1	3D Sync Out	BNC	1
HDMI 1.3	HDMI	1	3D Sync In	BNC	1
3G-SDI	BNC	1	LAN	RJ45	1
VGA / Analog RGB	15-pin D-Sub	1	RS232	9-pin D Sub	1
Component Video	4 x BNC	1	Wired Remote In	3.5mm Stereo Jack	1
S-Video	4-pin Mini DIN	1	Wired Remote Out	3.5mm Stereo Jack	1
Composite Video	RCA	1	Update Port	RJ45	1
Composite Video	BNC	1	Service Port	USB Type B	1
High Bandwidth Ports					
Main - Dual Link DVI-D	DVI-I	1			
Sub - HDMI 1.4	DVI-I	1			
Audio					
SPDIF Digital Output	RCA	1			

3D Formats Supported	HDTV Formats Supported
Frame Packing Dual Pipe Frame Sequential Side By Side (half) Top and Bottom	1080p (23.98Hz, 24Hz, 25Hz, 29.97Hz, 30Hz, 50Hz, 59.94Hz, 60Hz), 1080i (50Hz, 59.94Hz, 60Hz), 1080sf (23.98Hz, 24Hz), 720p (50Hz, 59.94Hz, 60Hz)

Computer Compatibility	Bandwidth
Up to 1920 x 1200	170 MHz on analog RGB 165 Megapixels per second on HDMI and DVI 297 Megapixels per second on Dual Link DVI

Remote Control	Automation Control
Addressable IR remote control, wireless and wired with loop-through. On-Board invertable keypad	RS232 LAN

Colour Temperature
User selectable from 3200 to 9000K

Lamp Type	Typical Lamp Life
1 x 330W High Intensity Discharge	1500 hours

Lenses			
Lens	Part No.	Focus Range	Lens Shift
0.67:1 fixed HB	105-607	1.1m - 10m	Vert: 0.176 (U) 0.176 (D) frame, Hor: 0.063 (L) 0.063 (R) frame
1.12:1 fixed HB	105-608	3m - 15m	Vert: 0.685 (U) 0.5 (D) frame, Hor: 0.188 (L) 0.188 (R) frame
1.12:1 (short) fixed HB	105-609	1.2m - 2m	Vert: 0.685 (U) 0.5 (D) frame, Hor: 0.188 (L) 0.188 (R) frame
1.16 - 1.49:1 zoom HB	109-236	3m - 15m	Vert: 0.509 (U) 0.5 (D) frame, Hor: 0.188 (L) 0.188 (R) frame
1.39 - 1.87:1 zoom HB	105-610	4m - 24m	Vert: 0.685 (U) 0.5 (D) frame, Hor: 0.188 (L) 0.188 (R) frame
1.87 - 2.56:1 zoom HB	105-611	4m - 24m	Vert: 0.685 (U) 0.5 (D) frame, Hor: 0.188 (L) 0.188 (R) frame
2.56 - 4.16:1 zoom HB	105-612	9.1m - 45m	Vert: 0.685 (U) 0.5 (D) frame, Hor: 0.188 (L) 0.188 (R) frame
4.16 - 6.96:1 zoom HB	105-613	12m - 80m	Vert: 0.685 (U) 0.5 (D) frame, Hor: 0.188 (L) 0.188 (R) frame
6.92 - 10.36:1 zoom HB	109-235	12m - 80m	Vert: 0.685 (U) 0.5 (D) frame, Hor: 0.188 (L) 0.188 (R) frame
1.50 - 2.17:1 zoom HB	114-143	5m - 25m	Vert: 0.319 (U) 0.319 (D) frame, Hor: 0.119 (L) 0.119 (R) frame
1.72 - 2.71:1 zoom HB	114-144	5m - 25m	Vert: 0.319 (U) 0.319 (D) frame, Hor: 0.119 (L) 0.119 (R) frame
2.15 - 3.36:1 zoom HB	114-145	5m - 25m	Vert: 0.319 (U) 0.319 (D) frame, Hor: 0.119 (L) 0.119 (R) frame

Lens Mount
Motorised and programmable shift, zoom and focus. Intelligent Lens Memory with 5 user-definable preset positions.

Mechanical Mounting	Orientation
Front/Rear Table Front/Rear Ceiling Adjustable Front/Rear Feet Rugged, staging tolerant chassis with integrated handles. Optional RapidRig™ frame with integrated pitch, roll and yaw adjustments.	Table Top or Inverted: Yes Pointing Up: Yes Pointing Down: Yes Roll (Portrait): No

Power Requirements	Power Consumption
100-240VAC 50/60Hz single phase	600W

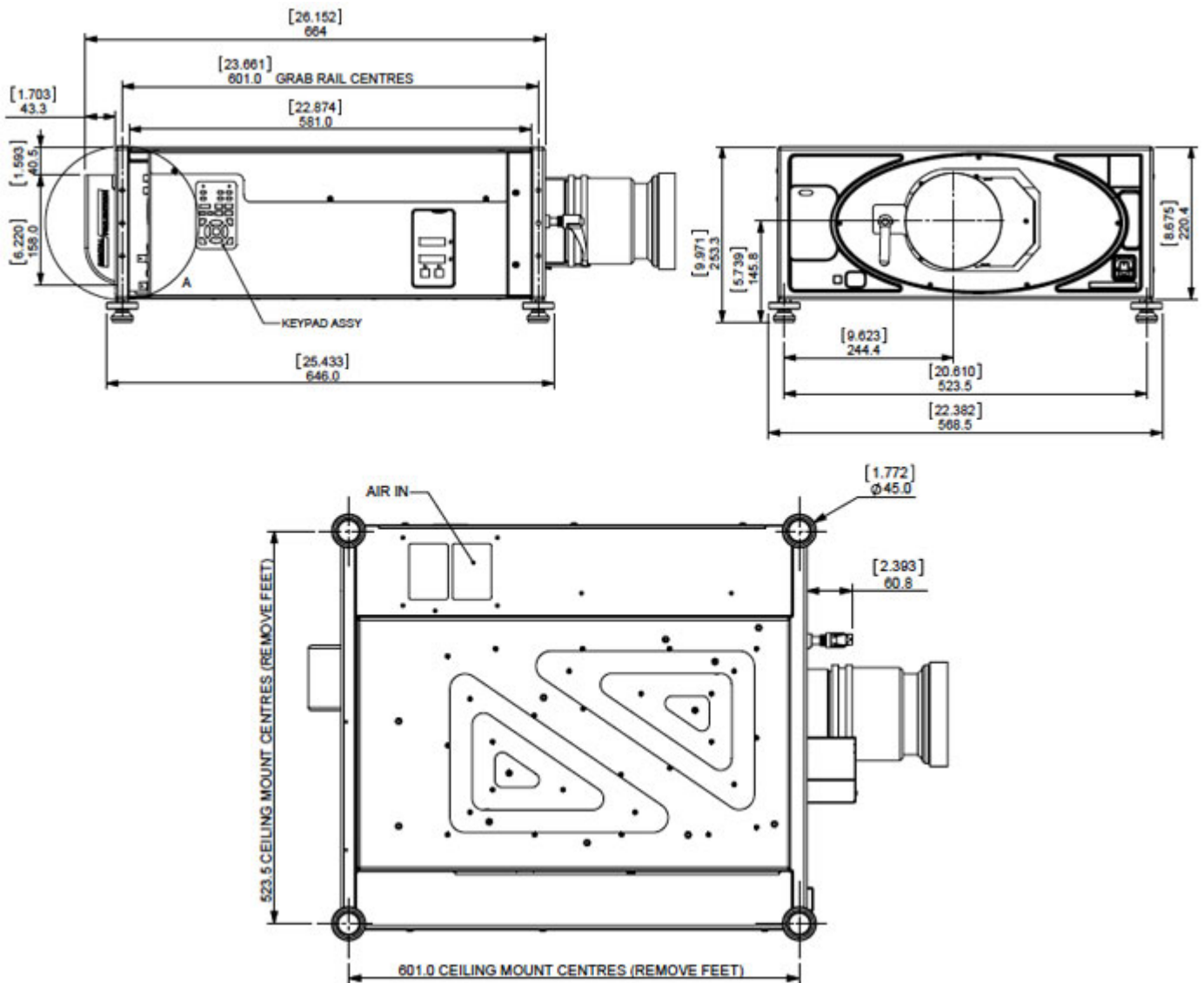
Thermal Dissipation	Fan Noise
2047 BTU/Hour	36 dBA

Operating/Storage Temperature	Operating Humidity
Operating: 0 to 35C (32 to 95F) Storage: -10 to 50C (14 to 122F)	20 to 80% non-condensing

Weight (Chassis Only)	Dimensions
36 kg 79.4 lb	L: 64.6cm W: 56.9 cm H: 25.3 cm L: 25.4 in W: 22.4 H: 10.0 in

Safety & EMC Regulations
CE, FCC Class A, CCC

*Dimensions included for reference only and are subject to change. Please download the full set of CAD files for this display for more accurate information.



Downloads

[PDF CAD Drawings](#)

[User Guides](#)

[AUTOCAD Drawings](#)

[Important Information](#)

Specifications subject to change without notice. Digital Projection version: 1.5 - 14-Aug-13 ©2012 Digital Projection. DLP®, Digital Light Processing™ and DMD are trademarks of Texas Instruments, Inc

DIGITAL PROJECTION, INC 55 CHASTAIN ROAD, SUITE 115 KENNESAW, GA. 30144
T: 770.420.1350 | F: 770.420.1360 | www.digitalprojection.com

DIGITAL PROJECTION, LTD GREENSIDE WAY, MIDDLETON MANCHESTER, UK. M24 1XX
T: +44.161.947.3300 | F: +44.161.684.7674 | www.digitalprojection.co.uk

DIGITAL PROJECTION, CHINA TOWER C, RM C1202, CAI FU JIA YUAN, NO. 19 XIAO YING STREET, CHAOYANG DISTRICT BEIJING, PR CHINA 100101
T: +86.10.58239771 | F: +86 10 58239770

DIGITAL PROJECTION, ASIA 16 NEW INDUSTRIAL ROAD, #02-10 HUDSON TECHNOCENTRE SINGAPORE 536204
T: +65.6284.1138 | F: +65.6284.1238