

## Titan Super Quad WUXGA 3D

20,000 ANSI Lumens | Contrast Ratio: 2,000:1 | Part No:113-104



<b>Colour System:</b> 3-chip DLP®	<b>DMD Specification:</b> 1920 x 1200 pixels native. Fast transit pixels for smooth greyscale and improved contrast.
<b>Display Type:</b> 3 x 0.96" DarkChip™ DMD™	<b>Aspect Ratio:</b> 16x10 <b>Fill Factor</b> 87%

### Key Features

#### Standard Inputs (1-8): Front End Video Capabilities

##### Video & Graphics Processing

- High bandwidth digital & analog receiver with 10 bit A-D.
- Automatic detection of interlaced video and implementation of 3:2 or 2:2 extraction as appropriate, with pixel based, motion adaptive interpolation and auto cadence correction.
- Displayed image frame locked to input with as low as 1 frame total latency.
- 24p and 1080p native display.
- Image enhancement for MPEG, Mosquito noise & color transients in composite sources.

##### Geometry Correction

- Cornerstone, Vertical & Horizontal Keystone, Pincushion & Barrel, and Image Rotation.
- Non-linear Warp adjustment by moving points on an interpolated grid.

##### Edge Blending

- Semi-automated multi projector tiling
- Correction for non-active pixels at the edge of the display.

##### Super Image Clarity

- Geometry correction and Edge Blending implemented in single stage process, retaining maximum image resolution.

##### Picture in Picture

- Two sources can be displayed either one within the other (PIP), or side by side, with original aspect ratios maintained.

### ColorMax™

- Accurate matching of projectors in tiled or blended applications.
- User selection and storage of primary and secondary color targets.

### High Bandwidth Inputs (9-11): Bypassing Front End for Minimal Latency

- Pixel mapped to the display.
- Dual Link DVI accepts frame rates up to 160Hz with latency as low as 1 frame.
- HDMI 1.4 for Side by Side, Frame Packing & Top Bottom formats.
- Dual Flash Processing can be used to multiply the displayed frame rate for 3D sources (example 144Hz display).
- FastFrame™ Smear Reduction.
- Dual Pipe processing: two sources in parallel for left and right eyes.
- Synchronisation of active glasses or polarising switcher.

### Projector Controller Software

- Intuitive user interface for network control
- Simultaneous control of user-defined groups of projectors
- At-a-glance monitoring of projector status

#### Source Compatibility:

3GSDI is SMPTE 292M, SMPTE 259M-C and SMPTE 424M compliant.

HDMI and DVI include Deep Color™ processing up to 36 bit.

DVI inputs are HDMI compatible.

Digital Audio Extraction via SPDIF for HDMI sources.

Graphics standards up to 1920 x 1200 at 60Hz via DVI or VGA.

Component Video (SD and HD) via YPrPb, RGB or RGBS.

S-Video (PAL, NTSC & SECAM)

Composite Video (PAL, NTSC & SECAM)

High Bandwidth, Pixel Mapped Path:

Dual DVI accepts graphics standards up to 1920 x 1200 at 120Hz.

HDMI 1.4 including 3D Standards

Dual Pipe (2 x DVI)

### Inputs/Outputs

Video & Computer			Communication & Control		
Type	Connector	Qty	Type	Connector	Qty
DVI-D / DVI-A	DVI-I	1	3D Sync Out	BNC	1
HDMI 1.3	HDMI	1	3D Sync In	BNC	1
3G-SDI	BNC	1	LAN	RJ45	1
VGA / Analog RGB	15-pin D-Sub	1	RS232	9-pin D Sub	1
Component Video	4 x BNC	1	Wired Remote In	3.5mm Stereo Jack	1
S-Video	4-pin Mini DIN	1	Wired Remote Out	3.5mm Stereo Jack	1
Composite Video	RCA	1	Update Port	RJ45	1
Composite Video	BNC	1	Service Port	USB Type B	1
High Bandwidth Ports					
Main - Dual Link DVI-D	DVI-I	1			
Sub - HDMI 1.4	DVI-I	1			
Audio					
SPDIF Digital Output	RCA	1			

**3D Formats Supported**

Frame Packing  
 Dual Pipe  
 Frame Sequential  
 Side By Side (half)  
 Top and Bottom

**HDTV Formats Supported**

1080p (23.98Hz, 24Hz, 25Hz, 29.97Hz, 30Hz, 50Hz, 59.94Hz, 60Hz), 1080i (50Hz, 59.94Hz, 60Hz), 1080sf (23.98Hz, 24Hz), 720p (50Hz, 59.94Hz, 60Hz)

**Computer Compatibility**

Up to 1920 x 1200

**Bandwidth**

170 MHz on analog RGB  
 165 Megapixels per second on HDMI and DVI  
 297 Megapixels per second on Dual Link DVI

**Remote Control**

Addressable IR remote control, wireless and wired with loop-through.  
 On-Board invertable keypad

**Automation Control**

RS232  
 LAN

**Colour Temperature**

User selectable from 3200 to 9000K

**Lamp Type**

4 x 465W High Intensity Discharge

**Typical Lamp Life**

Full Power: 1500 hours (up to 6000 hours in lamp sequential mode)  
  
 Eco Mode : 2000 hours (up to 8000 hours in lamp sequential mode)

**Lenses**

Lens	Part No.	Focus Range	Lens Shift
0.67:1 fixed HB	105-607	1.1m - 10m	Vert: 0.108 (U) 0.108 (D) frame, Hor: 0.044 (L) 0.044 (R) frame
1.12:1 fixed HB	105-608	3m - 15m	Vert: 0.567 (U) 0.45 (D) frame, Hor: 0.188 (L) 0.188 (R) frame
1.12:1 (short) fixed HB	105-609	1.2m - 2m	Vert: 0.567 (U) 0.45 (D) frame, Hor: 0.188 (L) 0.188 (R) frame
1.16 - 1.49:1 zoom HB	109-236	3m - 15m	Vert: 0.408 (U) 0.408 (D) frame, Hor: 0.188 (L) 0.188 (R) frame
1.39 - 1.87:1 zoom HB	105-610	4m - 24m	Vert: 0.567 (U) 0.45 (D) frame, Hor: 0.188 (L) 0.188 (R) frame
1.87 - 2.56:1 zoom HB	105-611	4m - 24m	Vert: 0.567 (U) 0.45 (D) frame, Hor: 0.188 (L) 0.188 (R) frame
2.56 - 4.16:1 zoom HB	105-612	9.1m - 45m	Vert: 0.567 (U) 0.45 (D) frame, Hor: 0.188 (L) 0.188 (R) frame
4.16 - 6.96:1 zoom HB	105-613	12m - 80m	Vert: 0.567 (U) 0.45 (D) frame, Hor: 0.188 (L) 0.188 (R) frame
6.92 - 10.36:1 zoom HB	109-235	12m - 80m	Vert: 0.567 (U) 0.45 (D) frame, Hor: 0.188 (L) 0.188 (R) frame
1.50 - 2.17:1 zoom HB	114-143	5m - 25m	Vert: 0.237 (U) 0.237 (D) frame, Hor: 0.104 (L) 0.104 (R) frame
1.72 - 2.71:1 zoom HB	114-144	5m - 25m	Vert: 0.237 (U) 0.237 (D) frame, Hor: 0.104 (L) 0.104 (R) frame
2.15 - 3.36:1 zoom HB	114-145	5m - 25m	Vert: 0.237 (U) 0.237 (D) frame, Hor: 0.104 (L) 0.104 (R) frame

**Lens Mount**

Motorised and programmable shift, zoom and focus. Intelligent Lens Memory with 5 user-definable preset positions.

**Mechanical Mounting**

Front/Rear Table  
 Front/Rear Ceiling  
 Adjustable Front/Rear Feet  
 Rugged, staging tolerant chassis with integrated handles.  
 Optional RapidRig™ frame with integrated pitch, roll and yaw adjustments.

**Orientation**

**Table Top or Inverted:** Yes  
**Pointing Up:** Yes - special software required.  
**Pointing Down:** No  
**Roll (Portrait):** No

**Power Requirements**

200-240VAC 50/60Hz single phase

**Power Consumption**

2400W

**Thermal Dissipation**

8191 BTU/Hour

**Fan Noise**

48 dBA

**Operating/Storage Temperature**

Operating: 0 to 40C (32 to 104F)  
 Storage: -10 to 50C (14 to 122F)

**Operating Humidity**

20 to 80% non-condensing

**Weight (Chassis Only)**

39 kg  
 86.0 lb

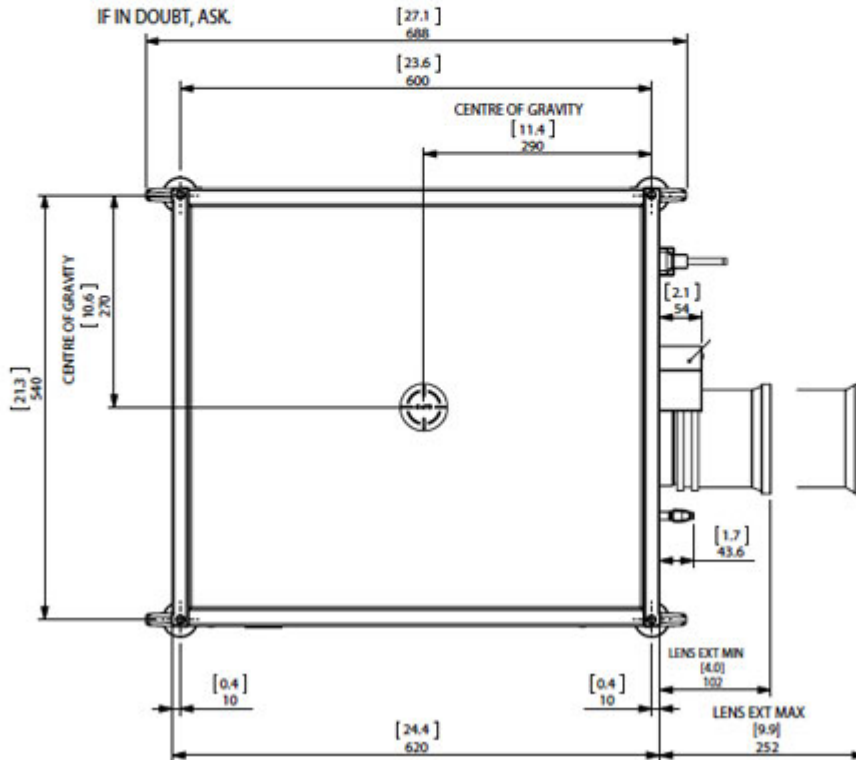
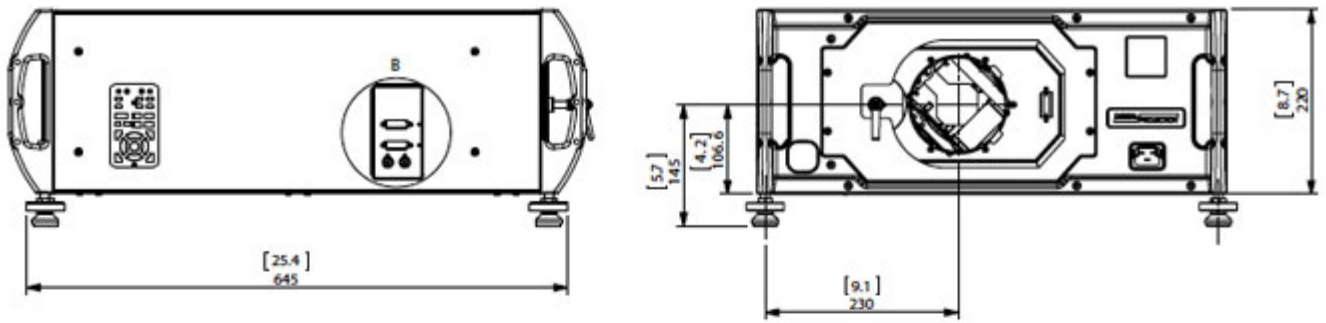
**Dimensions**

L: 68.8 cm W: 58.5 cm H: 25.8 cm  
 L: 27.1 in W: 23.1 in H: 10.2 in

**Safety & EMC Regulations**

CE, FCC Class A, CCC

*\*Dimensions included for reference only and are subject to change. Please download the full set of CAD files for this display for more accurate information.*



## Downloads

[PDF CAD Drawings](#)

[User Guides](#)

[AUTOCAD Drawings](#)

[Important Information](#)

Specifications subject to change without notice. Digital Projection version: 1.4 - 14-Aug-13 ©2012 Digital Projection. DLP®, Digital Light Processing™ and DMD are trademarks of Texas Instruments, Inc

**DIGITAL PROJECTION, INC** 55 CHASTAIN ROAD, SUITE 115 KENNESAW, GA. 30144  
T: 770.420.1350 | F: 770.420.1360 | [www.digitalprojection.com](http://www.digitalprojection.com)

**DIGITAL PROJECTION, LTD** GREENSIDE WAY, MIDDLETON MANCHESTER, UK. M24 1XX  
T: +44.161.947.3300 | F: +44.161.684.7674 | [www.digitalprojection.co.uk](http://www.digitalprojection.co.uk)

**DIGITAL PROJECTION, CHINA** TOWER C, RM C1202, CAI FU JIA YUAN, NO. 19 XIAO YING STREET, CHAOYANG DISTRICT BEIJING, PR CHINA 100101  
T: +86.10.58239771 | F: +86 10 58239770

**DIGITAL PROJECTION, ASIA** 16 NEW INDUSTRIAL ROAD, #02-10 HUDSON TECHNOCENTRE SINGAPORE 536204  
T: +65.6284.1138 | F: +65.6284.1238