







VIDEO WALL TV WALL MOUNTS

CONNEXSYS™ VIDEO WALL SYSTEM FEATURES

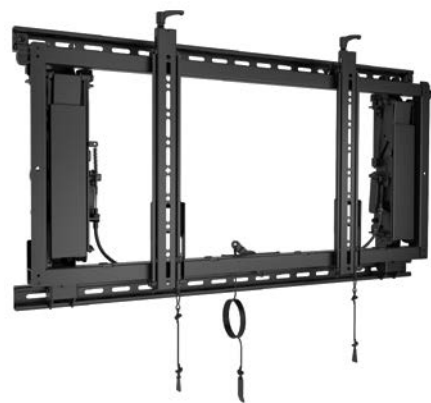
- 
SPEED LEVELING
 Mount multiple units to a single strut channel for quick row leveling and centerless lateral shift.
- 
POWERZONE™ ADJUSTMENTS
 Six points of tool-free adjustment: height, depth, lateral and tilt are all found in one easy-to-access location. Rigid frame keeps displays where you set them even after extending for service.
- 
RAPIDDRAW™ DISPLAY RELEASE
 Cord release system gently and remotely pops any screen out 13.7" (348.6 mm) from the wall for easy access and service while minimizing aggressive screen pushes. Get an additional 20 degrees of bottom pull-out with an integrated kickstand. Cords can be set to release from any 90 degree angle.
- 
GENEROUS DEPTH ADJUSTMENT
 Mount depth from wall can be set between 4" and 7.3" (102 and 186 mm) for perfect alignment, accommodating for recess applications and wall imperfections.

LVS1U 42 - 80" LANDSCAPE SYSTEM WITH RAILS



This universal pop-out mount is ideal for large-scale, seamless video walls and recessed applications. Ships with rails for each mount.

Weight Capacity	Dimensions (HxWxD)	Mounting Patterns (WxH)	Tilt	Height Adjust	Total Depth Adjust
150 lbs (68 kg)	21.8 x 35.5 x 4" (554 x 903 x 102 mm)	200 x 100 - 700 x 400 mm	+4° / -2.5°	± 1" (25 mm)	3.33" (85 mm)



LVS1UP 40 - 80" PORTRAIT SYSTEM WITH RAILS



The portrait version of the LVS1U that ships with rails for each mount.

Weight Capacity	Dimensions (HxWxD)	Mounting Patterns (WxH)	Tilt	Height Adjust	Total Depth Adjust
150 lbs (68 kg)	32.5 x 19.5 x 4.1" (826 x 496 x 104 mm)	200 x 100 - 800 x 400 mm	+4° / -2.5°	± 1" (25 mm)	3.33" (85 mm)



LVSXU 42 - 80" LANDSCAPE SYSTEM WITHOUT RAILS



Nearly identical to the LVS1U but ships without rails so installers can source strut locally to hang multiple mounts to one rail and reduce installation time.

Weight Capacity	Dimensions (HxWxD)	Mounting Patterns (WxH)	Tilt	Height Adjust	Total Depth Adjust
150 lbs (68 kg)	21.8 x 35.5 x 4" (554 x 903 x 102 mm)	200 x 100 - 700 x 400 mm	+4° / -2.5°	± 1" (25 mm)	3.33" (85 mm)



LVSXUP 40 - 80" PORTRAIT SYSTEM WITHOUT RAILS





The portrait version of the LVSXU that also ships without rails.


Weight Capacity	Dimensions (HxWxD)	Mounting Patterns (WxH)	Tilt	Height Adjust	Total Depth Adjust
150 lbs (68 kg)	32.5 x 19.5 x 4.1" (826 x 496 x 104 mm)	200 x 100 - 800 x 400 mm	+4° / -2.5°	± 1" (25 mm)	3.33" (85 mm)




FUSION™ VIDEO WALL FEATURES

 **PULL-OUT EXTENSION**
Mounts extend 7" (178 mm) for easy cable access and servicing in hard-to-reach installations.

 **CONTROLZONE LEVELING**
Post-installation fine-tuning of height and leveling ensures screens will be perfectly aligned.

 **CENTERLESS SHIFT**
Generous post-installation lateral shift allows screens to slide apart or together for easy maintenance and perfect alignment.

 **CLICKCONNECT™**
Tool-less latching makes an audible click when a Fusion mount is safely engaged with the screen.



CONTROLZONE™



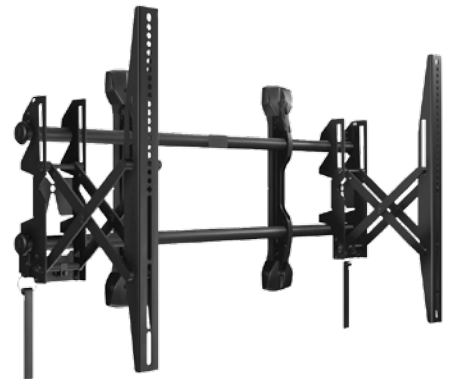
CENTERLESS™ SHIFT

LSMVU 37 - 63" PULL-OUT WALL MOUNT



Chief's micro-adjustable pull-out mount fits most displays to create seamless video walls.

Weight Capacity	Dimensions (HxWxD)	Mounting Patterns (WxH)	Max. Lateral Shift	Extension	Plumb Adjustment
150 lbs (68 kg)	21.0 x 34.6 x 3.7" (533 x 879 x 94 mm)	200 x 200 - 760 x 505 mm	17.5" (445 mm)	10.7" (272 mm)	2.5°



LSMVPU PORTRAIT PULL-OUT WALL MOUNT



The portrait version of the popular LSMVU for 37 - 63" displays.

Weight Capacity	Dimensions (HxWxD)	Mounting Patterns (WxH)	Max. Lateral Shift	Extension	Plumb Adjustment
150 lbs (68 kg)	32.5 x 20.6 x 3.7" (826 x 523 x 94 mm)	200 x 200 - 800 x 400 mm	4" (102 mm)	10.7" (272 mm)	2.5°

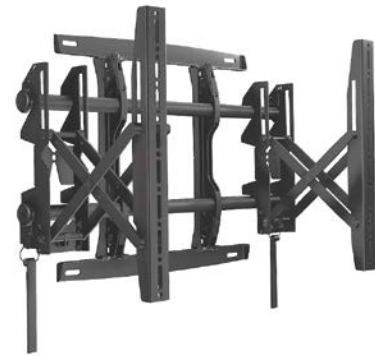


MSMVU 26 - 47" PULL-OUT WALL MOUNT



The smaller version of the LSMVU for shorter and/or narrower mounting patterns.

Weight Capacity	Dimensions (HxWxD)	Mounting Patterns (WxH)	Max. Lateral Shift	Extension	Plumb Adjustment
125 lbs (56.7 kg)	16.5 x 25.5 x 3.7" (419 x 648 x 94 mm)	100 x 100 - 540 x 400 mm	14.5" (368 mm)	10.7" (272 mm)	2.5°



MSMVPU PORTRAIT PULL-OUT WALL MOUNT



The portrait version of the popular MSMVU for 26 - 47" displays.

Weight Capacity	Dimensions (HxWxD)	Mounting Patterns (WxH)	Max. Lateral Shift	Extension	Plumb Adjustment
125 lbs (56.7 kg)	24.4 x 20.6 x 3.7" (620 x 523 x 94 mm)	100 x 100 - 600 x 400 mm	10" (254 mm)	10.7" (272 mm)	2.5°



FUSION™ VIDEO WALL MOUNT ACCESSORIES



FCA100	Equipment Depth Range	Compatibility
CAT5/Surge/CPU Adapter	0 - 1.8" (0 - 46 mm)	Fusion Wall Mounts



FCA102	Equipment Depth Range	Compatibility
Secure CPU/Media Player Adapter	0 - 1.63" (0 - 41 mm)	Large & Extra Large Fusion Wall Mounts



FCA101	Compatibility
Lock-Down Collar	Fusion Wall Mounts



FCS100	Dimensions (WxD)	Weight Capacity	Compatibility
Component Shelf	18 x 13.2" (457 x 335 mm)	20 lbs (9.1 kg)	Fusion Landscape Wall Mounts



FCD100	Compatibility
Stackable Component Shelf	Fusion Landscape Wall Mounts



FCA104	Compatibility
Component Shelf Extender	FCS100, FVS100, FVS150, FCC100, FCD100



FVS100/150	Compatibility	
Video Conference Camera Shelves - Below	Fusion Landscape Wall Mounts	
Model	Dimensions (WxD)	Weight Capacity
FVS100	8 x 13.2" (203 x 335 mm)	10 lbs (4.5 kg)
FVS150	12 x 13.2" (305 x 335 mm)	10 lbs (4.5 kg)



FVS200/250/251	Compatibility	
Video Conference Camera Shelves - Above	Fusion Landscape Wall Mounts	
Model	Dimensions (WxD)	Weight Capacity
FVS200	8 x 7.1" (203 x 180 mm)	10 lbs (4.5 kg)
FVS250	12 x 7.1" (305 x 180 mm)	10 lbs (4.5 kg)
FVS251	14 x 7.1" (356 x 180 mm)	10 lbs (4.5 kg)