



CEILING TV MOUNTS

FUSION™ VIDEO WALL FEATURES



CONTROLZONE™ LEVELING
Allows for 2" (51 mm) of height adjustment at each mounting box plus 1" (25 mm) increments along each column.



INDEPENDENT ADJUSTMENT
Separate knobs for micro-height and plumb adjustment help to easily align displays without tools.



INFINITE SCREEN POSITIONING
Infinite vertical and lateral shift adjustments allow for tight display rows and columns.



CABLE MANAGEMENT
FCACLIPS can be added at any point along the crossbars to create anchor points for easy cable management.



ADD EXTENSION
FCAX accessories increase rail length for larger displays, up to 60" (152 cm).



INDEPENDENT ADJUSTMENT



INFINITE SCREEN POSITIONING

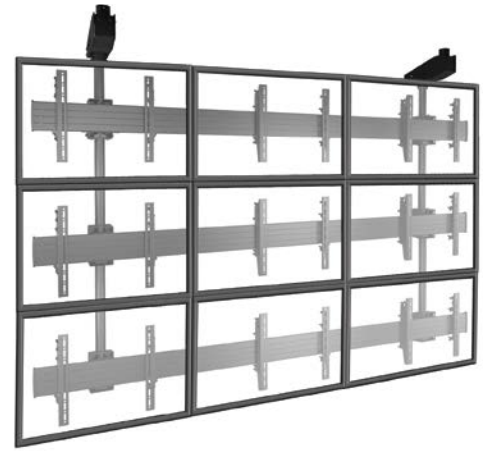
LCM3X3U LANDSCAPE VIDEO WALL



The landscape 3 wide x 3 tall configuration can be combined with other ceiling mounts to create longer walls. Fits 40 - 55" displays.

Weight Capacity (per screen)	Dimensions (HxWxD)	Mounting Patterns (WxH)	Manual Height Adjust	Micro Height Adjust*
85 lbs (38.5 kg)	78.6 x 108.8 x 14.5" (199.6 x 276.3 x 36.8 cm)	Any width x 100 - 400 mm	1" (25 mm)	2" (51 mm)

* Micro Height Adjustments can be made at each column intersection.



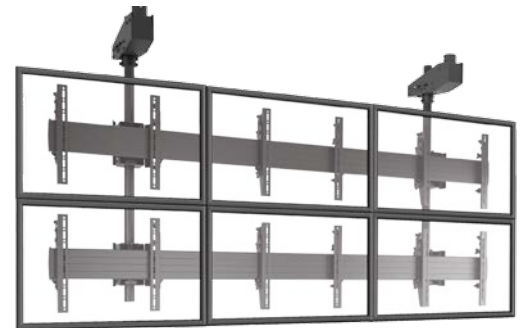
LCM3X2U LANDSCAPE VIDEO WALL



Create video walls in landscape orientation 3 wide x 2 tall. Fits 40 - 55" displays.

Weight Capacity (per screen)	Dimensions (HxWxD)	Mounting Patterns (WxH)	Manual Height Adjust	Micro Height Adjust*
125 lbs (56.7 kg)	54.7 x 108.9 x 14.5" (138.9 x 276.6 x 36.8 cm)	Any width x 100 - 400 mm	1" (25 mm)	2" (51 mm)

* Micro Height Adjustments can be made at each column intersection.



LCM3X2UP PORTRAIT VIDEO WALL



A portrait version to mount video walls 3 wide x 2 tall. Fits 40 - 55" displays.

Weight Capacity (per screen)	Dimensions (HxWxD)	Mounting Patterns (WxH)	Manual Height Adjust	Micro Height Adjust*
125 lbs (56.7 kg)	78.6 x 68.8 x 14.5" (199.6 x 174.8 x 36.8 cm)	up to 800 mm x 100 - 400 mm	1" (25 mm)	2" (51 mm)

* Micro Height Adjustments can be made at each column intersection.



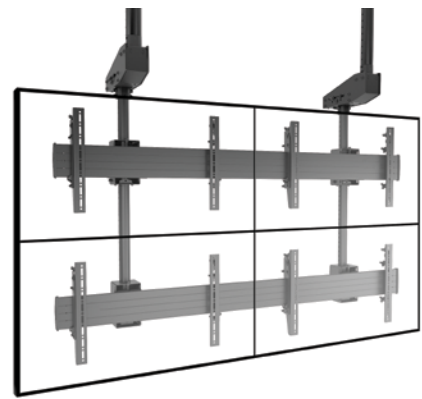
LCM2X2U LANDSCAPE VIDEO WALL



The versatile and popular landscape 2 wide x 2 tall configuration fits well in most digital signage applications. Fits 40 - 55" displays.

Weight Capacity (per screen)	Dimensions (HxWxD)	Mounting Patterns (WxH)	Manual Height Adjust	Micro Height Adjust*
125 lbs (56.7 kg)	54.7 x 72.9 x 14.5" (138.9 x 185.1 x 36.8 cm)	Any width x 100 - 400 mm	1" (25 mm)	2" (51 mm)

* Micro Height Adjustments can be made at each column intersection.



LCM2X2UP PORTRAIT VIDEO WALL




A portrait version to mount video walls 2 wide x 2 tall. Fits 40 - 55" displays.

Weight Capacity (per screen)	Dimensions (HxWxD)	Mounting Patterns (WxH)	Manual Height Adjust	Micro Height Adjust*
125 lbs (56.7 kg)	78.6 x 46.8 x 14.5" (199.6 x 118.9 x 36.8 cm)	up to 800 mm x 100 - 400 mm	1" (25 mm)	2" (51 mm)

* Micro Height Adjustments can be made at each column intersection.



FUSION™ MENU BOARD FEATURES

- 
CONTROLZONE™ LEVELING
 Allows for 2" (51 mm) of height adjustment at each mounting box.
- 
CENTRIS™ TILT TECHNOLOGY
 Screens stay where you place them for effortless multi-screen alignment.
- 
TOOL-FREE SCREEN ENGAGEMENT
 Easily place screens and add optional padlock security.
- 
LATERAL SHIFT
 Post-installation lateral shift allows screens to slide apart or together for easy maintenance and perfect alignment.
- 
ADD EXTENSION
 FCAX accessories increase rail length for larger displays, up to 60" (152 cm).



CONTROLZONE LEVELING



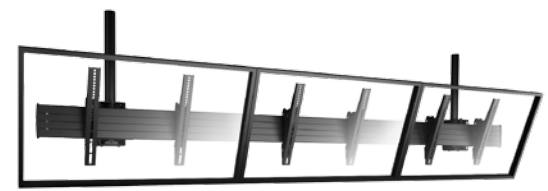
CENTRIS TILT TECHNOLOGY

LCM3X1U LANDSCAPE MENU BOARD



This classic menu board configuration is three screens across. Create longer menu boards by combining mounts. Fits 40 - 55" displays.

Weight Capacity (per screen)	Dimensions (HxWxD)	Mounting Patterns (WxH)	Micro Height Adjust	Tilt
125 lbs (56.7 kg)	16.75 X 108.9 X 7.9" (42.5 x 276.6 x 20.1 cm)	Any width x 100 - 400 mm	2" (51 mm)	+5°, -20°

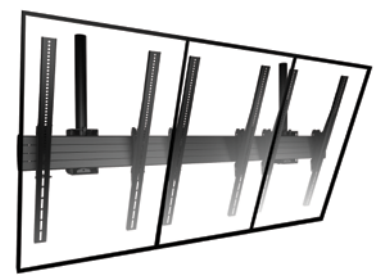


LCM3X1UP PORTRAIT MENU BOARD



The portrait of the LCM3X1U. Fits 40 - 55" displays.

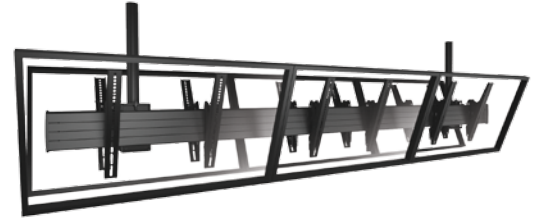
Weight Capacity (per screen)	Dimensions (HxWxD)	Mounting Patterns (WxH)	Micro Height Adjust	Tilt
125 lbs (56.7 kg)	32.5 X 68.9 X 7.9" (82.6 x 175 x 20.1 cm)	up to 800 mm x 100 - 800 mm	2" (51 mm)	+5°, -20°



LCB3X1U BACK-TO-BACK LANDSCAPE



Mount three screens back-to-back in landscape orientation for six total screens. Fits 40 - 55" displays.



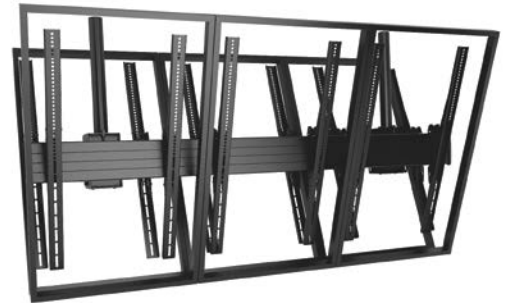
Weight Capacity (per screen)	Dimensions (HxWxD)	Mounting Patterns (WxH)	Micro Height Adjust	Max Tilt*
125 lbs (56.7 kg)	16.75 x 108.8 x 11.5" (42.5 x 276.3 x 29.2 cm)	Any width x 100 - 400 mm	2" (51 mm)	+5°, -20°

* Varies with display size.

LCB3X1UP BACK-TO-BACK PORTRAIT



The portrait version of the LCB3X1U. Fits 40 - 55" displays.



Weight Capacity (per screen)	Dimensions (HxWxD)	Mounting Patterns (WxH)	Micro Height Adjust	Max Tilt*
125 lbs (56.7 kg)	32.5 x 68.8 x 11.5" (82.6 x 174.8 x 29.2 cm)	Any width x 100 - 800 mm	2" (51 mm)	+5°, -20°

* Varies with display size.

LCM2X1U LANDSCAPE MENU BOARD



This classic menu board configuration is two screens across. Create longer menu boards by combining mounts. Fits 40 - 55" displays.



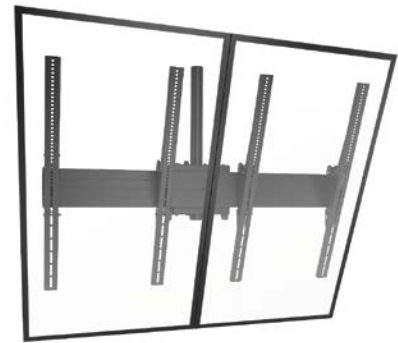
Weight Capacity (per screen)	Dimensions (HxWxD)	Mounting Patterns (WxH)	Micro Height Adjust	Tilt
125 lbs (56.7 kg)	16.8 x 72.9 x 7.9" (42.7 x 185.1 x 20.1 cm)	Any width x 100 - 400 mm	N/A	+5°, -20°

LCM2X1UP PORTRAIT MENU BOARD



The portrait version of the LCM2X1U. Fits 40 - 55" displays.

Weight Capacity (per screen)	Dimensions (HxWxD)	Mounting Patterns (WxH)	Micro Height Adjust	Tilt
125 lbs (56.7 kg)	32.5 X 46.86 X 7.9" (82.6 x 119 x 20.1 cm)	Any width x 100 - 800 mm	N/A	+5°, -20°



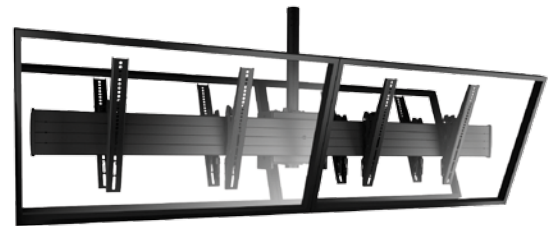
LCB2X1U BACK-TO-BACK LANDSCAPE



Mount two screens back-to-back in landscape orientation for four total screens. Fits 40 - 55" displays.

Weight Capacity (per screen)	Dimensions (HxWxD)	Mounting Patterns (WxH)	Micro Height Adjust	Max Tilt*
100 lbs (45.3 kg)	16.75 X 72.86 X 11.64" (42.5 x 185.1 x 29.6 cm)	Any width x 100 - 400 mm	N/A	+5°, -20°

* Varies with display size.



LCB2X1UP BACK-TO-BACK PORTRAIT



The portrait version of the LCB2X1U. Fits 40 - 55" displays.

Weight Capacity (per screen)	Dimensions (HxWxD)	Mounting Patterns (WxH)	Micro Height Adjust	Max Tilt*
100 lbs (45.3 kg)	32.5 X 46.86 X 11.64" (82.6 x 119 x 29.6 cm)	Any width x 100 - 800 mm	N/A	+5°, -20°

* Varies with display size.



FUSION™ CEILING MOUNTS

FEATURES



CENTRIS TILT TECHNOLOGY

Provides a continuous range of fingertip tilt from +5 to -20 degrees with four set locking points at 0, 5, 10 and 15 degrees to eliminate guess work when adjusting multiple screens.



ON/OFF COLUMN CONNECTION

Simple connection for ease of installation and service, particularly when installing in tight corners or near walls.



TOOL-FREE SCREEN ENGAGEMENT

Easily place screens and add optional padlock security.



FLEXIBILITY

Mount swivels to any preferred viewing angle before locking down with set screws.

XCM7000 60 - 90" HEAVY-DUTY MOUNT



Dual pole drop provides needed support for single extra large and deep flat panel displays.

Weight Capacity	Dimensions (HxWxD)	Mounting Patterns (WxH)	Tilt*	Roll Adjust
300 lbs (136 kg)	16.75 X 34.8 X 8" (425 x 884 x 203 mm)	200 x 100 - 800 x 400 mm	+7.5° / -20°	2" total height adjust at each head assembly



*Tilt for 7000 series ceiling mounts is only adjustable in 5 degree increments.

XCB7000 60 - 90" BACK-TO-BACK HEAVY-DUTY MOUNT



Dual pole drop provides needed support for back-to-back configurations of extra large and deep flat panel displays.

Weight Capacity (per screen)	Dimensions (HxWxD)	Mounting Patterns (WxH)	Tilt*	Roll Adjust
300 lbs (136 kg)	16.75 X 34.8 X 11.8" (425 x 884 x 300 mm)	200 x 100 - 800 x 400 mm	+7.5° / -20°	2" total height adjust at each head assembly



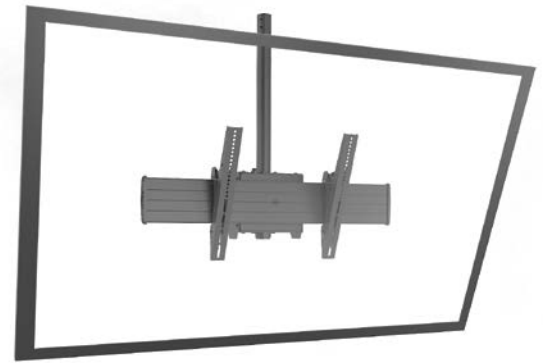
*Tilt for 7000 series ceiling mounts is only adjustable in 5 degree increments.

XCM1U 60 - 90" LANDSCAPE CEILING MOUNT



For heavier displays with wider mounting patterns.

Weight Capacity	Dimensions (HxWxD)	Mounting Patterns (WxH)	Tilt	Roll Adjust
250 lbs (113.4 kg)	16.75 x 34.8 x 7.9" (425 x 884 x 201 mm)	200 x 100 - 800 x 400 mm	+5°, -20°	±3°

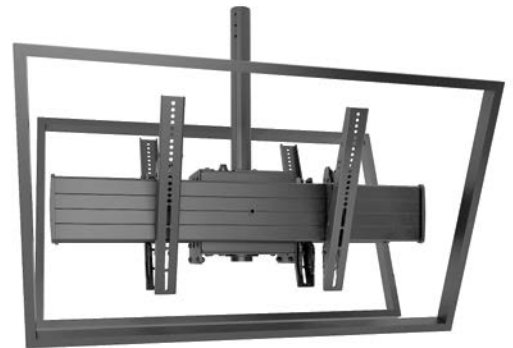


XCB1U 60 - 90" BACK-TO-BACK LANDSCAPE MOUNT



Back-to-back version of the XCM1U to mount two displays with wider mounting patterns.

Weight Capacity (per screen)	Dimensions (HxWxD)	Mounting Patterns (WxH)	Tilt	Roll Adjust
200 lbs (90.7 kg)	16.75 x 34.8 x 11.64" (425 x 884 x 296 mm)	200 x 100 - 800 x 400 mm	+5°, -20° for screens up to 38.8" (986 mm) tall	±3°

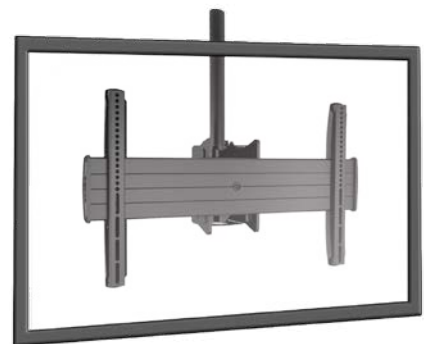


LCM1U 32 - 60" LANDSCAPE CEILING MOUNT



Our most popular, feature-packed and versatile single ceiling mount. Add another for stacked configurations.

Weight Capacity	Dimensions (HxWxD)	Mounting Patterns (WxH)	Tilt	Roll Adjust	Color
125 lbs (56.7 kg)	16.5 x 26.8 x 6.4" (420 x 681 x 162 mm)	200 x 100 - 600 x 400 mm	+5°, -20°	±3°	S B



LCM1UP 32 - 60" PORTRAIT CEILING MOUNT



The portrait version of the LCM1U.

Weight Capacity	Dimensions (HxWxD)	Mounting Patterns (WxH)	Tilt	Roll Adjust	Color
125 lbs (56.7 kg)	32.5 X 20.84 X 6.37" (826 x 529 x 162 mm)	200 x 100 - 460 x 800 mm	+5°, -20°	±3°	S B

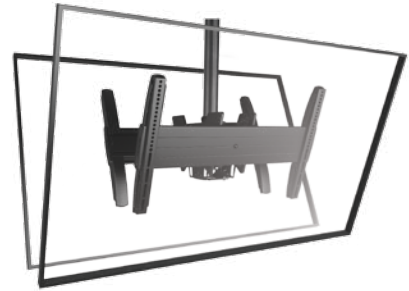


LCB1U 32 - 60" BACK-TO-BACK LANDSCAPE MOUNT



The back-to-back version of the LCM1U for two total screens in a landscape configuration.

Weight Capacity (per screen)	Dimensions per mount (HxWxD)	Mounting Patterns (WxH)	Tilt	Roll Adjust	Color
125 lbs (56.7 kg)	16.5 x 26.8 x 10.2" (420 x 681 x 259 mm)	200 x 100 - 600 x 400 mm	+5°, -20°	±3°	B



LCB1UP 32 - 60" BACK-TO-BACK PORTRAIT MOUNT



The portrait version of the LCB1U.

Weight Capacity (per screen)	Dimensions per mount (HxWxD)	Mounting Patterns (WxH)	Tilt	Roll Adjust	Color
125 lbs (56.7 kg)	32.5 x 20.8 x 10.2" (826 x 529 x 259 mm)	200 x 100 - 460 x 800 mm	+5°, -20°	±3°	B

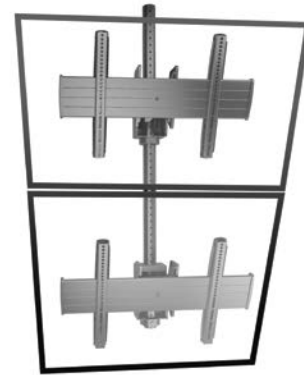


LCM1X2U 32 - 60" STACKED LANDSCAPE



This solution includes two LCM1U mounts and a 48" (121.9 cm) perforated CPA column for stacking two screens on the same column.

Weight Capacity (per screen)	Dimensions per mount (HxWxD)	Mounting Patterns (WxH)	Tilt	Roll Adjust	Color
125 lbs (56.7 kg)	16.5 x 26.8 x 6.4" (420 x 681 x 162 mm)	200 x 100 - 600 x 400 mm	+5°, -20°	±3°	B



LCB1X2U 32 - 60" BACK-TO-BACK STACKED



The back-to-back version of the LCM1x2U stacks two screens per side for four total screens and a 48" (121.9 cm) perforated CPA column.

Weight Capacity (per screen)	Dimensions per mount (HxWxD)	Mounting Patterns (WxH)	Tilt	Roll Adjust	Color
100 lbs (45.3 kg)	16.5 x 26.8 x 10.2" (420 x 681 x 259 mm)	200 x 100 - 600 x 400 mm	+5°, -20°	±3°	B

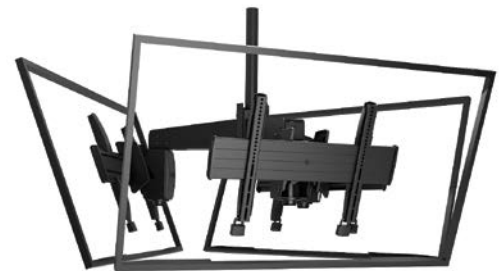


LCM3U 32 - 65" TRIPLE MOUNT SYSTEM



Allows three screens to be installed on a single column drop for 360° viewing capabilities. Comes with Fusion interfaces.

Weight Capacity (per screen)	Dimensions per mount (HxWxD)	Mounting Patterns (WxH)	Tilt	Roll Adjust	Color
125 lbs (56.7 kg)	18.2 X 46.6 X 46.6" (46.2 x 118.4 x 118.4 cm)	200 x 100 - 600 x 400 mm	+5°, -20°	±3°	B

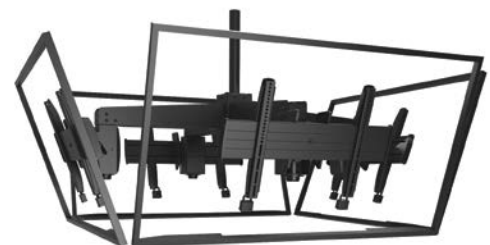


LCM4U 32 - 65" QUAD MOUNT SYSTEM



Allows four screens to be installed on a single column drop for 360° viewing capabilities. Comes with Fusion interfaces.

Weight Capacity (per screen)	Dimensions per mount (HxWxD)	Mounting Patterns (WxH)	Tilt	Roll Adjust	Color
85 lbs (38.5 kg)	18.72 X 56 X 56" (47.5 x 142.2 x 142.2 cm)	200 x 100 - 600 x 400 mm	+5°, -20°	±3°	B



MCM1U 26 - 50" CEILING MOUNT



The medium version of the LCM1U accommodates smaller mounting patterns as well as portrait and landscape orientations.

Weight Capacity	Dimensions (HxWxD)	Mounting Patterns (WxH)	Tilt	Roll Adjust	Color
125 lbs (56.7 kg)	16.5 x 20.8 x 6.4" (420 x 529 x 162 mm)	200 x 100 - 460 x 400 mm	+5°, -20°	±3°	S B

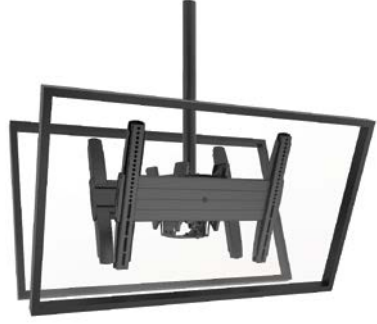


MCB1U 26 - 50" BACK-TO-BACK LANDSCAPE



Back-to-back version of the MCM1U for two total screens in landscape or portrait configurations.

Weight Capacity (per screen)	Dimensions per mount (HxWxD)	Mounting Patterns (WxH)	Tilt	Roll Adjust	Color
125 lbs (56.7 kg)	16.5 x 20.8 x 10.2" (419 x 529 x 259 mm)	200 x 100 - 460 x 400 mm	+5°, -20°	±3°	B



MCM1X2U 26 - 50" STACKED LANDSCAPE



Stacked solution includes two MCM1U mounts and a 48" (121.9 cm) perforated CPA in a 1 wide x 2 tall configuration.

Weight Capacity (per screen)	Dimensions per mount (HxWxD)	Mounting Patterns (WxH)	Tilt	Roll Adjust	Color
125 lbs (56.7 kg)	16.5 x 20.8 x 6.4" (419 x 529 x 162 mm)	200 x 100 - 460 x 400 mm	+5°, -20°	±3°	B



MCB1X2U 26 - 50" BACK-TO-BACK STACKED



Back-to-back version of the MCM1x2U stacks two screens per side for four total screens and a 48" (121.9 cm) perforated CPA column.

Weight Capacity (per screen)	Dimensions per mount (HxWxD)	Mounting Patterns (WxH)	Tilt	Roll Adjust	Color
100 lbs (45.3 kg)	16.5 x 20.8 x 10.2" (420 x 529 x 259 mm)	200 x 100 - 460 x 400 mm	+5°, -20°	±3°	B



FUSION™ VIDEO WALL, MENU BOARD & CEILING MOUNT ACCESSORIES



FCA510/515		Compatibility
Storage Accessories		All Fusion Ceiling & Freestanding Mounts
Model	Dimensions	
FCA510	10.5 x 10.5 x 3" (267 x 267 x 76 mm)	
FCA515	15.5 x 15.5 x 4.5" (394 x 394 x 114 mm)	



FCA520	Max. Equipment Depth	Compatibility
Universal Clamp Kit (Qty 2)	3.25" (83 mm)	All Fusion Ceiling & Freestanding Mounts



FCA500	Dimensions (WxD)	Weight Capacity	Compatibility
Component / Video Conference Shelf - Below	18 x 11.28" (457 x 287 mm)	20 lbs (9.1 kg)	Fusion Landscape Ceiling & Freestanding Mounts



FCA501/502/503			Compatibility
Component / Video Conference Shelves - Above			Fusion Landscape Ceiling & Freestanding Mounts
Model	Dimensions (WxD)	Weight Capacity	
FCA501	14 x 10" (356 x 254 mm)	10 lbs (4.5 kg)	
FCA502	8 x 10" (203 x 254 mm)	10 lbs (4.5 kg)	
FCA503	24 x 6" (609 x 152 mm)	10 lbs (4.5 kg)	



FCA530	Weight Capacity	Compatibility
Center Channel Speaker Adapter	20 lbs (9.1 kg)	Fusion Landscape Ceiling & Freestanding Mounts



FCA535	Weight Capacity	Compatibility
Left/Right Speaker Adapters	10 lbs (4.5 kg) per side	All Fusion Ceiling & Freestanding Mounts



FCA540	Compatibility
Power Outlet Accessory	All Fusion Ceiling & Freestanding Mounts



FCAC	Compatibility
Menu Board Connector*	Fusion Ceiling-Mounted Menu Boards

* For alignment and aesthetics only - not for bearing load.



FCACLIPS	Compatibility
Anchor Points for Zip Ties (Qty 10)	All Fusion Ceiling & Freestanding Mounts



FCAX08/14/20	Compatibility
Video Wall Extension Brackets	Fusion Video Wall & Menu Board Ceiling Mounts
Model	Length
FCAX08	8" (203 mm)
FCAX14	14" (356 mm)
FCAX20	20" (508 mm)



FCA3U	Compatibility
Triple Ceiling Mount Adapter	Allows for integration of different mount heads like the MCM1U, RLC1, RMC1 and JHS mounts



FCA4U	Compatibility
Quad Ceiling Mount Adapter	Allows for integration of different mount heads like the MCM1U, RLC1, RMC1 and JHS mounts

1½" NPT CEILING ACCESSORIES



CMA105	Weight Capacity
Ceiling Plate - 4" (102 mm)	500 lbs (226.8 kg)



CMA110	Compatibility
Ceiling Plate - 8" (203 mm)	500 lbs (226.8 kg)
Model	Color
CMA110	B (shown)
CMA110S	S
CMA110W	W



CMA115	Weight Capacity
Ceiling Plate - 6" (152 mm)	500 lbs (226.8 kg)
Model	Color
CMA115	B (shown)
CMA115S	S
CMA115W	W



CMA101	Weight Capacity
Designer Ceiling Plate	500 lbs (226.8 kg)
Model	Color
CMA101	B (shown)
CMA101S	S
CMA101W	W



CMS115	Weight Capacity
Speed-Connect Ceiling Plate	500 lbs (226.8 kg)
Model	Color
CMA115	B (shown)
CMA115S	S
CMA115W	W



CMA330	Weight Capacity
Offset Ceiling Plate - 8" (203 mm)	500 lbs (226.8 kg)



CMA345	Weight Capacity
Shock Absorption Ceiling Plate	500 lbs (226.8 kg)



CMA395	Weight Capacity
Angled Ceiling Plate	500 lbs (226.8 kg)
Model	Color
CMA395	B (shown)
CMA395W	W



CMA360	Weight Capacity
I-Beam Clamp	250 lbs (113.4 kg)



CMA365	Weight Capacity
Truss Ceiling Adapter	250 lbs (113.4 kg)



CMS390/391	Weight Capacity
Dual Joist Ceiling Adapters - 16" (406 mm) / 24" (609 mm)	500 lbs (226.8 kg)



CMA450	Weight Capacity
Suspended Ceiling Kit	250 lbs (113.4 kg)*

1½" NPT CEILING ACCESSORIES



CMA455	Weight Capacity
Suspended Ceiling Tile Replacement Kit	250 lbs (113.4 kg)



CMS Fixed Columns		Weight Capacity	
Fixed 1½" NPT extension columns available in black, silver and white†		500 lbs (226.8 kg)	
Model	Length	Model	Length
CMS003*	3" (76 mm)	CMS024	2' (0.6 m)
CMS006*	6" (152 mm)	CMS036	3' (0.9 m)
CMS009	9" (229 mm)	CMS048	4' (1.2 m)
CMS012	12" (305 mm)	CMS060	5' (1.5 m)
CMS018	18" (457 mm)	CMS072	6' (1.8 m)

* Steel construction. † All part numbers listed are black. To order alternate colors add an S (silver) or W (white) to the end of the part number.



CMS Adjustable Columns		Weight Capacity	
Adjustable 1½" NPT extension columns available in black, silver and white†		500 lbs (226.8 kg)	
Model	Length	Model	Length
CMS006009	6-9" (152-229 mm)	CMS0507	5-7' (1.5-2.1 m)
CMS009012	9-12" (229-305 mm)	CMS0608	6-8' (1.8-2.4 m)
CMS012018	12-18" (305-457 mm)	CMS0709	7-9' (2.1-2.7 m)
CMS018024	18-24" (457-610 mm)	CMS0810	8-10' (2.4-3.1 m)
CMS0203	2-3' (0.6-0.9 m)	CMS0911	9-11' (2.7-3.4 m)
CMS0305	3-5' (0.9-1.5 m)	CMS1012*	10-12' (3.1-3.7 m)
CMS0406	4-6' (1.2-1.8 m)		

* Cannot ship by UPS due to length. † All part numbers listed are black. To order alternate colors add an S (silver) or W (white) to the end of the part number.



CMA700	Weight Capacity
6" (152 mm) Ceiling Plate with Adjustable Column	500 lbs (226.8 kg)
Model	Color
CMA700	B (shown)
CMA700S	S
CMA700W	W



CMA100	Weight Capacity
8" (203 mm) Ceiling Plate with Adjustable Column	500 lbs (226.8 kg)
Model	Color
CMA100	B (shown)
CMA100S	S
CMA100W	W



CMS261	Weight Capacity
CMS Column Cut-Off Adapter	500 lbs (226.8 kg)
Model	Color
CMS261	B (shown)
CMS261S	S
CMS261W	W



CMA502	Weight Capacity
Single Electric Power Outlet Coupler	500 lbs (226.8 kg)



CMA504	Weight Capacity
Dual Electric Power Outlet Coupler	500 lbs (226.8 kg)



CMA351	Weight Capacity
Heavy Duty Swivel Adapter	500 lbs (226.8 kg)



CMA152	Weight Capacity
Threaded Pipe Coupler with Cable Slot	500 lbs (226.8 kg)



1½" NPT CEILING ACCESSORIES



CMA270	Weight Capacity
Threaded Pipe Coupler	500 lbs (226.8 kg)
Model	Color
CMA270	B (shown)
CMA270S	S
CMA270W	W



CMA274/275	Compatibility
Quick-Snap Cable Covers (Qty 1 / 3)	1½" & 2" NPT Columns



CMA273	Compatibility
Threaded End Cap	1½" NPT Columns



CMA278	Compatibility
Vinyl End Cap (Qty 10)	1½" NPT & CPA Columns



CMA640	Compatibility
Decorative Ring, 1.9" (48 mm) ID	1½" NPT & CPA Columns
Model	Color
CMA640	C (shown)
CMA640B	B
CMA640W	W



CMA643	Compatibility	Color
Decorative Ring, 2.44" (62 mm) ID	CMS Outer Adjustable Columns	S

CPA PIN CONNECTION ACCESSORIES



CPA330	Weight Capacity
CPA Offset Ceiling Plate	500 lbs (226.8 kg)



CPA395	Weight Capacity
CPA Angled Ceiling Plate	500 lbs (226.8 kg)



CPA365	Weight Capacity
CPA Truss Adapter	500 lbs (226.8 kg)



CPA262	Weight Capacity
CPA to NPT Column Connection Adapter (contains male 1½" NPT threads and accepts Chief CPA columns)	500 lbs (226.8 kg)
Model	Color
CPA262	B (shown)
CPA262S	S



CPA263	Weight Capacity
CPA column to CPA column connector	500 lbs (226.8 kg)



CPA264	Weight Capacity
NPT to CPA Column Connection Adapter (contains female 1½" NPT threads and accepts Chief's CPA columns)	500 lbs (226.8 kg)



CPA Columns		Weight Capacity	
Fixed, pin-connection extension columns available in black and silver†		500 lbs (226.8 kg)	
Model	Length	Model	Length
CPA018	18" (457 mm)	CPA060	5' (1.5 m)
CPA024	2' (0.6 m)	CPA072	6' (1.8 m)
CPA036	3' (0.9 m)	CPA096	8' (2.4 m)
CPA048	4' (1.2 m)	CPA120	10' (3.1 m)

† All part numbers listed are black. To order silver add an S to the end of the part number.