

## HIGHlite 660 WUXGA

8,000 ANSI Lumens | Contrast Ratio: 2,000:1 | Part No:111-898



<b>Colour System:</b> 3-chip DLP®	<b>DMD Specification:</b> 1920 x 1200 pixels native. Fast transit pixels for smooth greyscale and improved contrast.
<b>Display Type:</b> 3 x 0.67" DarkChip™ DMD™	<b>Aspect Ratio:</b> 16x10 <b>Fill Factor</b> 87%

### Key Features

#### Video & Graphics Processing

- High Bandwidth Digital & Analogue Receiver with 10 Bit A-D.
- The projector automatically detects interlaced video and implements 3:2 or 2:2 extraction as appropriate, with pixel based, motion adaptive interpolation and auto cadence correction.
- Displayed image frame locked to input with as low as 1 frame total latency.
- 24p and 1080p native display.
- Image enhancement for MPEG, Mosquito noise & Colour Transients in composite sources.

#### Geometry Correction

- Cornerstone, Vertical & Horizontal Keystone, Pincushion & Barrel, and Image Rotation.
- Non-Linear Warp adjustment by moving points on an interpolated grid.

#### Edge Blending

- Semi-automated Multi Projector Tiling
- Correction for non-active pixels at the edge of the display.

#### Super Image Clarity

- Geometry correction and Edge Blending implemented in single stage process, retaining maximum image resolution.

#### Picture in Picture

- Two sources can be displayed either one within the other (PIP), or side by side, with original aspect ratios maintained.

#### ColorMax™

- Accurate matching of projectors in tiled or blended applications.
- User Selection and storage of Primary and Secondary colour targets.

## Source Compatibility:

3GSDI is SMPTE 292M, SMPTE 259M-C and SMPTE 424M compliant.

HDMI and DVI include Deep Color™ processing up to 36 bit.

DVI inputs are HDMI compatible.

Digital Audio Extraction via SPDIF for HDMI sources.

Graphics standards up to 1920 x 1200 at 60Hz via DVI or VGA.

Component Video (SD & HD) via YPrPb, RGB or RGBS.

S-Video (PAL, NTSC & SECAM)

Composite Video (PAL, NTSC & SECAM)

## Inputs/Outputs

Video & Computer			Communication & Control		
Type	Connector	Qty	Type	Connector	Qty
DVI-D / DVI-A	DVI-I	1	3D Sync Out	BNC	1
HDMI 1.3	HDMI	1	3D Sync In	BNC	1
3G-SDI	BNC	1	LAN	RJ45	1
VGA / Analog RGB	15-pin D-Sub	1	RS232	9-pin D Sub	1
Component Video	4 x BNC	1	Wired Remote In	3.5mm Stereo Jack	1
S-Video	4-pin Mini DIN	1	Wired Remote Out	3.5mm Stereo Jack	1
Composite Video	RCA	1	Service Port	USB Type B	1
Composite Video	BNC	1			
Audio					
SPDIF Digital Output	RCA	1			

## 3D Formats Supported

Not applicable

## HDTV Formats Supported

1080p (23.98Hz, 24Hz, 25Hz, 29.97Hz, 30Hz, 50Hz, 59.94Hz, 60Hz), 1080i (50Hz, 59.94Hz, 60Hz), 1080sf (23.98Hz, 24Hz), 720p (50Hz, 59.94Hz, 60Hz)

## Computer Compatibility

Up to 1920 x 1200

## Bandwidth

170 MHz on analog RGB

165 Megapixels per second on HDMI and DVI

## Remote Control

Addressable IR remote control, wireless and wired with loop-through.

On-Board keypad

## Automation Control

RS232

LAN

## Colour Temperature

User selectable from 3200 to 9000K

## Lamp Type

2 x 330W High Intensity Discharge

## Typical Lamp Life

Full Power: 1500 hours (up to 3000 hours in lamp sequential mode)

Eco Mode : 2000 hours (up to 4000 hours in lamp sequential mode)

## Lenses

Lens	Part No.	Focus Range	Lens Shift
0.77 : 1 fixed HB	110-808	1.3m - 2.5m	Vert: 0.2 (U) 0.2 (D) frame, Hor: 0.05 (L) 0.05 (R) frame
1.16 : 1 fixed HB	110-809	1.4m - 6.2m	Vert: 0.2 (U) 0.2 (D) frame, Hor: 0.05 (L) 0.05 (R) frame
1.45 - 1.74 : 1 zoom HB	110-803	1.8m - 9.3m	Vert: 0.6 (U) 0.6 (D) frame, Hor: 0.15 (L) 0.15 (R) frame
1.74 - 2.17 : 1 zoom HB	112-878	2.2m - 11.8m	Vert: 0.6 (U) 0.6 (D) frame, Hor: 0.15 (L) 0.15 (R) frame
2.17 - 2.90 : 1 zoom HB	113-852	2.7m - 15.4m	Vert: 0.6 (U) 0.6 (D) frame, Hor: 0.15 (L) 0.15 (R) frame
2.90 - 4.34 : 1 zoom HB	110-806	3.6m - 22.5m	Vert: 0.6 (U) 0.6 (D) frame, Hor: 0.15 (L) 0.15 (R) frame
4.34 - 6.76 : 1 zoom HB	110-807	5.5m - 35m	Vert: 0.6 (U) 0.6 (D) frame, Hor: 0.15 (L) 0.15 (R) frame

## Lens Mount

Motorised shift, zoom and focus.

## Mechanical Mounting

Front/Rear Table  
Front/Rear Ceiling  
Adjustable Front/Rear Feet  
Optional RapidRig™ frame with integrated pitch, roll and yaw adjustments.

## Orientation

**Table Top or Inverted:** Yes

**Pointing Up:** Yes

**Pointing Down:** Yes

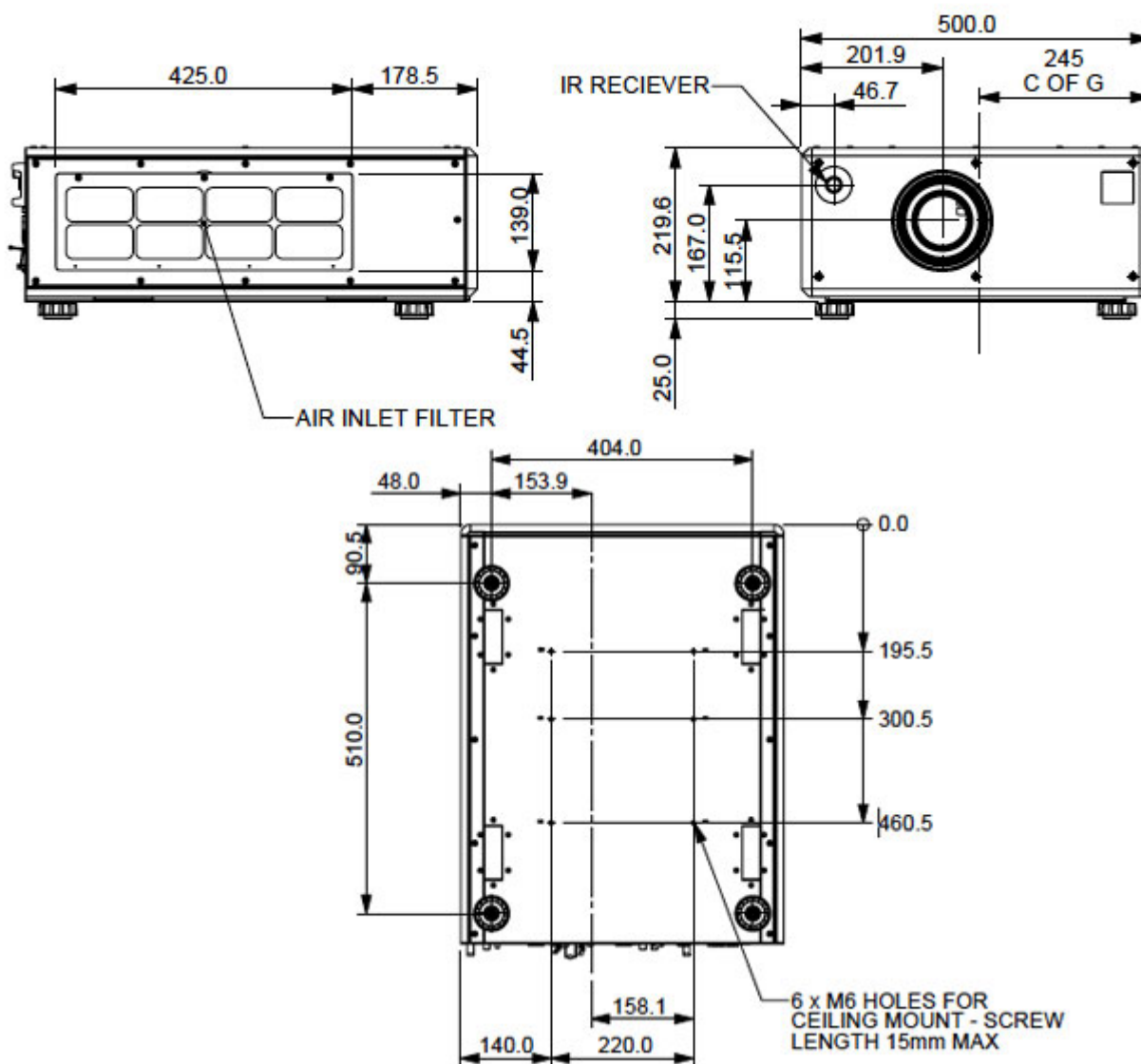
**Roll (Portrait):** Yes

<b>Power Requirements</b>	<b>Power Consumption</b>
90 - 240VAC 50/60Hz single phase	840W
<b>Thermal Dissipation</b>	<b>Fan Noise</b>
2866 BTU/Hour	39dBA
<b>Operating/Storage Temperature</b>	<b>Operating Humidity</b>
Operating: 0 to 40C (32 to 104F) Storage: -20 to 60C (-4 to 140F)	20% to 90% non-condensing
<b>Weight (Chassis Only)</b>	<b>Dimensions</b>
33 kg 72.8 lb	L: 66.5 cm W: 50 cm H: 22 cm L: 26.2 in W: 19.7 in H: 8.7 in

**Safety & EMC Regulations**

CE, FCC Class A & B, UL, CCC, KC

*\*Dimensions included for reference only and are subject to change. Please download the full set of CAD files for this display for more accurate information.*



**Downloads**

[PDF CAD Drawings](#)

[User Guides](#)

[AUTOCAD Drawings](#)

[Important Information](#)

**DIGITAL PROJECTION, INC** 55 CHASTAIN ROAD, SUITE 115 KENNESAW, GA. 30144  
T: 770.420.1350 | F: 770.420.1360 | [www.digitalprojection.com](http://www.digitalprojection.com)

**DIGITAL PROJECTION, LTD** GREENSIDE WAY, MIDDLETON MANCHESTER, UK. M24 1XX  
T: +44.161.947.3300 | F: +44.161.684.7674 | [www.digitalprojection.co.uk](http://www.digitalprojection.co.uk)

**DIGITAL PROJECTION, CHINA** TOWER C, RM C1202, CAI FU JIA YUAN, NO. 19 XIAO YING STREET, CHAOYANG DISTRICT BEIJING,  
PR CHINA 100101  
T: +86.10.58239771 | F: +86 10 58239770

**DIGITAL PROJECTION, ASIA** 16 NEW INDUSTRIAL ROAD, #02-10 HUDSON TECHNOCENTRE SINGAPORE 536204  
T: +65.6284.1138 | F: +65.6284.1238