

## dVision 35-WUXGA - XB - 3D

4,500 ANSI Lumens | Contrast Ratio: 7,500:1 | Part No:113-017

### dVision Series Digital Projectors



<b>Colour System:</b> 6 Segment RGBCMY Colour Wheel	<b>DMD Specification:</b> 1920 x 1200 pixels native. Fast transit pixels for smooth greyscale and improved contrast.
<b>Display Type:</b> 1 x 0.95" DarkChip™ DMD™	<b>Aspect Ratio:</b> 16x10 <b>Fill Factor</b> 87%

### Key Features

#### Video & Graphics Processing

- Auto mode selection - plug and play setup
- 10-bit color resolution
- HDMI 1.3a and dual link DVI digital inputs
- Full 10-bit deinterlacer with integral scaler

#### ColorMax™

- User Selection and storage of Primary and Secondary colour targets.

#### Source Compatibility:

HDTV  
EDTV  
SDTV  
NTSC  
PAL  
SECAM  
Progressive Scan

### Inputs/Outputs

Video & Computer			Communication & Control		
Type	Connector	Qty	Type	Connector	Qty
DVI-D - Single Link DVI	DVI	2	LAN	RJ45	1
HDMI 1.3	HDMI	2	RS232	9-pin D Sub	2
VGA / Analog RGB	15-pin D-Sub	2	Service Port	USB Type B	2
Component Video	5 x BNC	1	Wired Remote In	3.5mm Stereo Jack	1
S-Video	4-pin Mini DIN	1	Wired Remote Out	3.5mm Stereo Jack	1
			12V Trigger	3.5mm Stereo Jack	2

**3D Formats Supported**

Connect + modules allow dVision 3D projectors to display any known 3D formats. These modules must be purchased separately based on your 3D content needs.

**HDTV Formats Supported**

1080p (24Hz, 25Hz, 30Hz, 50Hz, 60Hz), 1080i (50Hz, 60Hz), 720p (50, 60Hz)

**Computer Compatibility**

Up to 1920 x 1200

**Bandwidth**

205 MHz on analog RGB  
330 MHz on DVI  
75 MHz on Component

**Remote Control**

Addressable IR remote control, wireless and wired with loop-through.  
On-Board keypad

**Automation Control**

RS232  
LAN

**Colour Temperature**

User selectable from 3200 to 9000K

**Lamp Type**

2 x 300 watt UHP VIDI lamp

**Typical Lamp Life**

Full Power: 2000 hours

Eco Mode : 2500 hours

**Lenses**

Lens	Part No.	Focus Range	Lens Shift
0.79: 1 fixed HB	104-083	.5m - 5m	Vert: 0.04 (U) 0.04 (D) frame, Hor: 0.02 (L) 0.02 (R) frame
1.16: 1 fixed HB	104-084	1.5m - 15m	Vert: 0.67 (U) 0.67 (D) frame, Hor: 0.34 (L) 0.34 (R) frame
1.24- 1.6: 1 zoom HB	104-085	1m - 15m	Vert: 0.67 (U) 0.67 (D) frame, Hor: 0.34 (L) 0.34 (R) frame
1.6- 2.32: 1 zoom HB	104-086	2m - 15m	Vert: 0.67 (U) 0.67 (D) frame, Hor: 0.34 (L) 0.34 (R) frame
2.37- 3.79: 1 zoom HB	104-087	3m - 30m	Vert: 0.67 (U) 0.67 (D) frame, Hor: 0.34 (L) 0.34 (R) frame
3.8- 6.5: 1 zoom HB	104-088	4m - 40m	Vert: 0.67 (U) 0.67 (D) frame, Hor: 0.34 (L) 0.34 (R) frame
0.92: 1 fixed HB	110-810	1m - 10m	Vert: 0.33 (U) 0.33 (D) frame, Hor: 0.15 (L) 0.15 (R) frame
0.75- 1.13: 1 zoom HB	112-540	1m - 10m	Vert: 0.17 (U) 0.17 (D) frame, Hor: 0.07 (L) 0.07 (R) frame
0.75- 1.13: 1 zoom HB	112-539	5m - 30m	Vert: 0.17 (U) 0.17 (D) frame, Hor: 0.07 (L) 0.07 (R) frame

**Lens Mount**

Motorised shift, zoom and focus.

**Mechanical Mounting**

Front/Rear Table  
Front/Rear Ceiling  
Adjustable Front/Rear Feet

**Orientation**

**Table Top or Inverted:** Yes  
**Pointing Up:** Yes  
**Pointing Down:** Yes  
**Roll (Portrait):** No

**Power Requirements**

100-240 VAC, 50/60Hz

**Power Consumption**

815W

**Thermal Dissipation**

3109 BTU/Hour

**Fan Noise**

40.9dBA

**Operating/Storage Temperature**

Operating: 10° to 40° C

**Operating Humidity**

20% to 80% RH

Storage: -20° - 60° C

**Weight (Chassis Only)**

12.6 kg  
27.8 lb

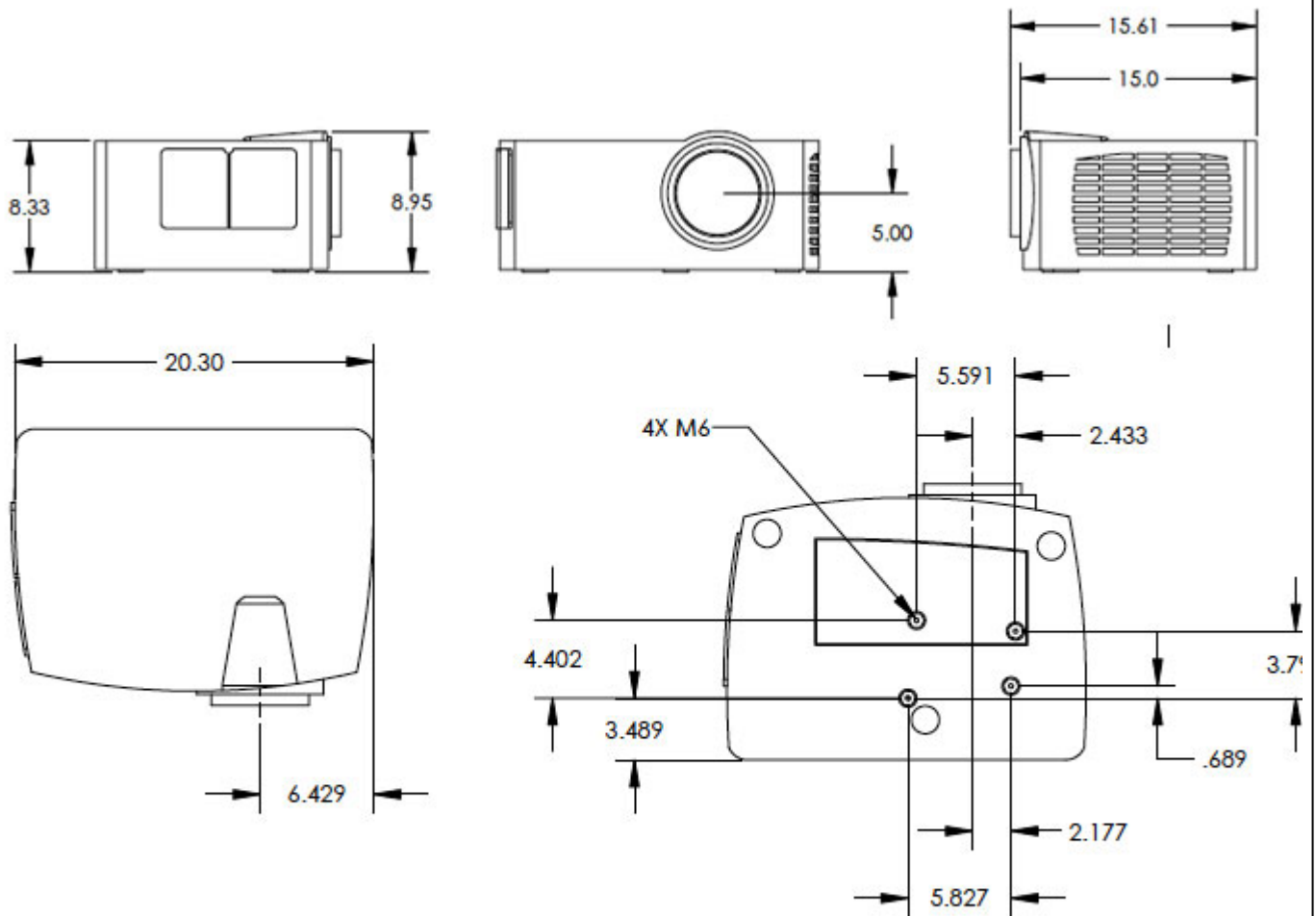
**Dimensions**

W1 20.1 H1 8.8 L1 14.8 (inches)  
W1 510.5 H1 223.5 L1 376 (mm)

**Safety & EMC Regulations**

CCC, cCSAus, FCC Class A, cUL, UL and CE

*\*Dimensions included for reference only and are subject to change. Please download the full set of CAD files for this display for more accurate information.*



## Downloads

[PDF CAD Drawings](#)

[User Guides](#)

[AUTOCAD Drawings](#)

[Important Information](#)

Specifications subject to change without notice. Digital Projection version: 1.1 - 18-Jul-13 ©2012 Digital Projection.  
DLP®, Digital Light Processing™ and DMD are trademarks of Texas Instruments, Inc

**DIGITAL PROJECTION, INC** 55 CHASTAIN ROAD, SUITE 115 KENNESAW, GA. 30144  
T: 770.420.1350 | F: 770.420.1360 | [www.digitalprojection.com](http://www.digitalprojection.com)

**DIGITAL PROJECTION, LTD** GREENSIDE WAY, MIDDLETON MANCHESTER, UK. M24 1XX  
T: +44.161.947.3300 | F: +44.161.684.7674 | [www.digitalprojection.co.uk](http://www.digitalprojection.co.uk)

**DIGITAL PROJECTION, CHINA** TOWER C, RM C1202, CAI FU JIA YUAN, NO. 19 XIAO YING STREET, CHAOYANG DISTRICT BEIJING, PR CHINA 100101  
T: +86.10.58239771 | F: +86 10 58239770

**DIGITAL PROJECTION, ASIA** 16 NEW INDUSTRIAL ROAD, #02-10 HUDSON TECHNOCENTRE SINGAPORE 536204  
T: +65.6284.1138 | F: +65.6284.1238