

dVision 35-WUXGA LED

1,100 ANSI Lumens | Contrast Ratio: 7,500:1 | Part No:113-025

dVision Series Digital Projectors



Colour System: R, G and B LEDs	DMD Specification: 1920 x 1200 pixels native. Fast transit pixels for smooth greyscale and improved contrast.
Display Type: 1 x 0.95" DarkChip™ DMD™	Aspect Ratio: 16x10 Fill Factor 87%

Key Features

Video & Graphics Processing

- Auto mode selection - plug and play setup
- 10-bit color resolution
- HDMI 1.3a and dual link DVI digital inputs
- Full 10-bit deinterlacer with integral scaler

ColorMax™

- User Selection and storage of Primary and Secondary colour targets.

Source Compatibility:

HDTV
EDTV
SDTV
NTSC
PAL
SECAM
Progressive Scan

Inputs/Outputs

Video & Computer			Communication & Control		
Type	Connector	Qty	Type	Connector	Qty
DVI-D - Single Link DVI	DVI	2	LAN	RJ45	1
HDMI 1.3	HDMI	2	RS232	9-pin D Sub	2
VGA / Analog RGB	15-pin D-Sub	1	Service Port	USB Type B	2
XPort1	XPort1	1	Wired Remote In	3.5mm Stereo Jack	1
XPort2	XPort2	1	Wired Remote Out	3.5mm Stereo Jack	1
Component Video	5 x BNC	1	12V Trigger	3.5mm Stereo Jack	2
Component Video	YPbPr	1			

3D Formats Supported	HDTV Formats Supported
----------------------	------------------------

Not applicable	1080p (24Hz, 25Hz, 30Hz, 50Hz, 60Hz), 1080i (50Hz, 60Hz), 720p (50, 60Hz)
----------------	---

Computer Compatibility	Bandwidth
------------------------	-----------

Up to 1920 x 1200	205 MHz on analog RGB 330 MHz on DVI 75 MHz on Component
-------------------	--

Remote Control	Automation Control
----------------	--------------------

Addressable IR remote control, wireless and wired with loop-through. On-Board keypad	RS232 LAN
---	--------------

Colour Temperature

User selectable from 3200 to 9000K

Lamp Type	Typical Lamp Life
-----------	-------------------

LED Illumination Module	100,000 hours
-------------------------	---------------

Lenses

Lens	Part No.	Focus Range	Lens Shift
0.79: 1 fixed HB	104-083	.5m - 5m	Vert: 0.04 (U) 0.04 (D) frame, Hor: 0.02 (L) 0.02 (R) frame
1.16: 1 fixed HB	104-084	1.5m - 15m	Vert: 0.67 (U) 0.67 (D) frame, Hor: 0.34 (L) 0.34 (R) frame
1.24- 1.6: 1 zoom HB	104-085	1m - 15m	Vert: 0.67 (U) 0.67 (D) frame, Hor: 0.34 (L) 0.34 (R) frame
1.6- 2.32: 1 zoom HB	104-086	2m - 15m	Vert: 0.67 (U) 0.67 (D) frame, Hor: 0.34 (L) 0.34 (R) frame
2.37- 3.79: 1 zoom HB	104-087	3m - 30m	Vert: 0.67 (U) 0.67 (D) frame, Hor: 0.34 (L) 0.34 (R) frame
3.8- 6.5: 1 zoom HB	104-088	4m - 40m	Vert: 0.67 (U) 0.67 (D) frame, Hor: 0.34 (L) 0.34 (R) frame
0.92: 1 fixed HB	110-810	1m - 10m	Vert: 0.33 (U) 0.33 (D) frame, Hor: 0.15 (L) 0.15 (R) frame
0.75- 1.13: 1 zoom HB	112-540	1m - 10m	Vert: 0.17 (U) 0.17 (D) frame, Hor: 0.07 (L) 0.07 (R) frame
0.75- 1.13: 1 zoom HB	112-539	5m - 30m	Vert: 0.17 (U) 0.17 (D) frame, Hor: 0.07 (L) 0.07 (R) frame

Lens Mount

Motorised shift, zoom and focus.

Mechanical Mounting	Orientation
---------------------	-------------

Front/Rear Table Front/Rear Ceiling Adjustable Front/Rear Feet	Table Top or Inverted: Yes Pointing Up: Yes Pointing Down: Yes Roll (Portrait): Yes
--	--

Power Requirements	Power Consumption
--------------------	-------------------

100-240 VAC, 50/60Hz	325W
----------------------	------

Thermal Dissipation	Fan Noise
---------------------	-----------

1100 BTU/Hour	40.9dBA
---------------	---------

Operating/Storage Temperature	Operating Humidity
-------------------------------	--------------------

Operating: 10° to 40° C	20% to 80% RH
-------------------------	---------------

Storage: -20° - 60° C	
-----------------------	--

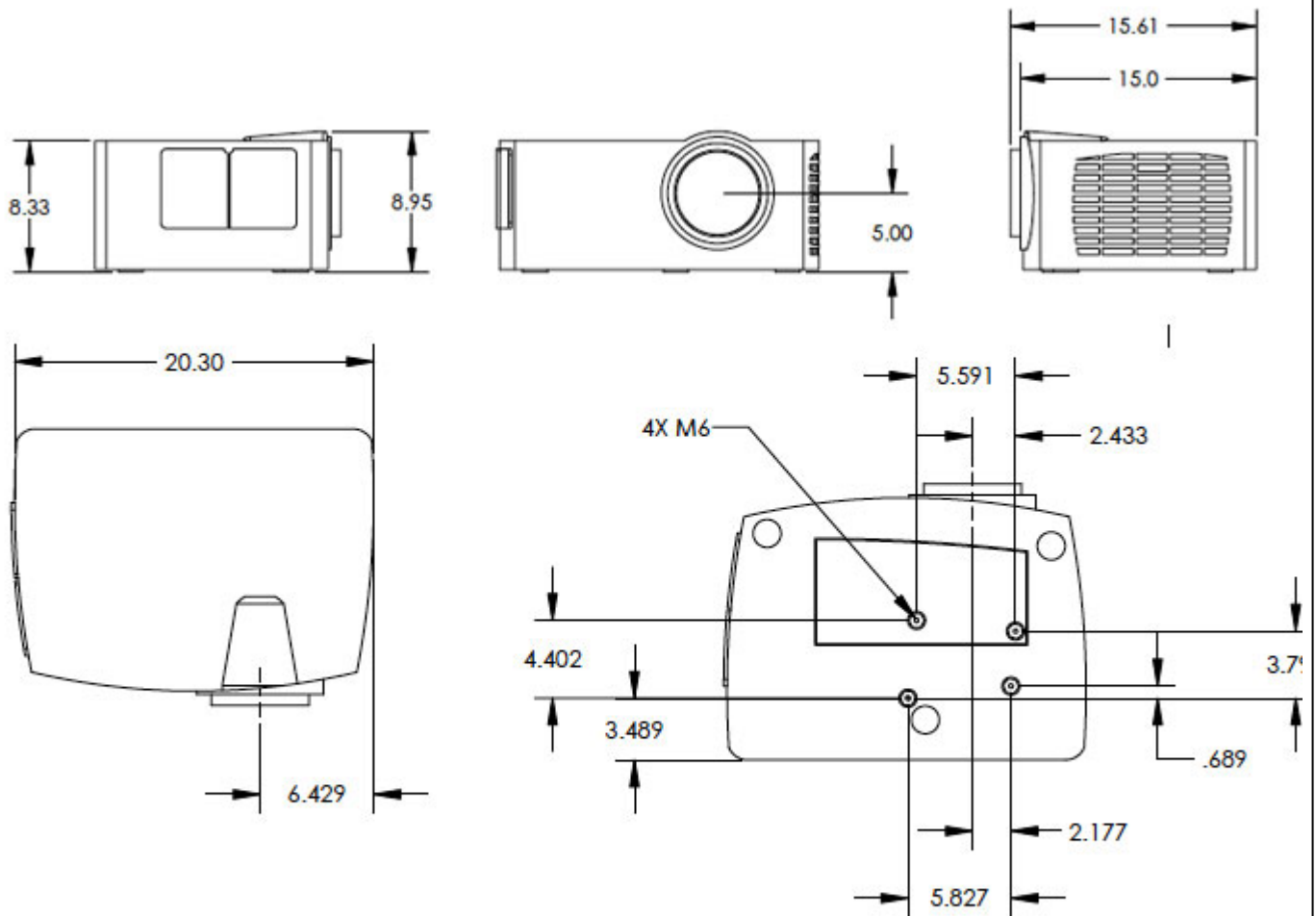
Weight (Chassis Only)	Dimensions
-----------------------	------------

12.6 kg 27.8 lb	W1 20.1 H1 8.8 L1 14.8 (inches) W1 510.5 H1 223.5 L1 376 (mm)
--------------------	--

Safety & EMC Regulations

CE, FCC Class A and cCSAus

**Dimensions included for reference only and are subject to change. Please download the full set of CAD files for this display for more accurate information.*



Downloads

[PDF CAD Drawings](#)

[User Guides](#)

[AUTOCAD Drawings](#)

[Important Information](#)

Specifications subject to change without notice. Digital Projection version: 1.1 - 18-Jul-13 ©2012 Digital Projection.
DLP®, Digital Light Processing™ and DMD are trademarks of Texas Instruments, Inc

DIGITAL PROJECTION, INC 55 CHASTAIN ROAD, SUITE 115 KENNESAW, GA. 30144
T: 770.420.1350 | F: 770.420.1360 | www.digitalprojection.com

DIGITAL PROJECTION, LTD GREENSIDE WAY, MIDDLETON MANCHESTER, UK. M24 1XX
T: +44.161.947.3300 | F: +44.161.684.7674 | www.digitalprojection.co.uk

DIGITAL PROJECTION, CHINA TOWER C, RM C1202, CAI FU JIA YUAN, NO. 19 XIAO YING STREET, CHAOYANG DISTRICT BEIJING, PR CHINA 100101
T: +86.10.58239771 | F: +86 10 58239770

DIGITAL PROJECTION, ASIA 16 NEW INDUSTRIAL ROAD, #02-10 HUDSON TECHNOCENTRE SINGAPORE 536204
T: +65.6284.1138 | F: +65.6284.1238