

dVision 35-WUXGA - XL - 3D

7,500 ANSI Lumens | Contrast Ratio: 7,500:1 | Part No:113-018

dVision Series Digital Projectors



Colour System: 6 Segment RGBCWY Colour Wheel	DMD Specification: 1920 x 1200 pixels native. Fast transit pixels for smooth greyscale and improved contrast.
Display Type: 1 x 0.95" DarkChip™ DMD™	Aspect Ratio: 16x10 Fill Factor 87%

Key Features

Video & Graphics Processing

- Auto mode selection - plug and play setup
- 10-bit color resolution
- HDMI 1.3a and dual link DVI digital inputs
- Full 10-bit deinterlacer with integral scaler

ColorMax™

- User Selection and storage of Primary and Secondary colour targets.

Source Compatibility:

HDTV
EDTV
SDTV
NTSC
PAL
SECAM
Progressive Scan

Inputs/Outputs

Video & Computer			Communication & Control		
Type	Connector	Qty	Type	Connector	Qty
DVI-D - Single Link DVI	DVI	2	LAN	RJ45	1
HDMI 1.3	HDMI	2	RS232	9-pin D Sub	2
VGA / Analog RGB	15-pin D-Sub	2	Service Port	USB Type B	2
Component Video	5 x BNC	1	Wired Remote In	3.5mm Stereo Jack	1
S-Video	4-pin Mini DIN	1	Wired Remote Out	3.5mm Stereo Jack	1
			12V Trigger	3.5mm Stereo Jack	2

3D Formats Supported

Connect + modules allow dVision 3D projectors to display any known 3D formats. These modules must be purchased separately based on your 3D content needs.

HDTV Formats Supported

1080p (24Hz, 25Hz, 30Hz, 50Hz, 60Hz), 1080i (50Hz, 60Hz), 720p (50, 60Hz)

Computer Compatibility

Up to 1920 x 1200

Bandwidth

205 MHz on analog RGB
330 MHz on DVI
75 MHz on Component

Remote Control

Addressable IR remote control, wireless and wired with loop-through.
On-Board keypad

Automation Control

RS232
LAN

Colour Temperature

User selectable from 3200 to 9000K

Lamp Type

2 x 300 watt UHP VIDI lamp

Typical Lamp Life

Full Power: 2000 hours

Eco Mode : 2500 hours

Lenses

Lens	Part No.	Focus Range	Lens Shift
0.79: 1 fixed HB	104-083	.5m - 5m	Vert: 0.04 (U) 0.04 (D) frame, Hor: 0.02 (L) 0.02 (R) frame
1.16: 1 fixed HB	104-084	1.5m - 15m	Vert: 0.67 (U) 0.67 (D) frame, Hor: 0.34 (L) 0.34 (R) frame
1.24- 1.6: 1 zoom HB	104-085	1m - 15m	Vert: 0.67 (U) 0.67 (D) frame, Hor: 0.34 (L) 0.34 (R) frame
1.6- 2.32: 1 zoom HB	104-086	2m - 15m	Vert: 0.67 (U) 0.67 (D) frame, Hor: 0.34 (L) 0.34 (R) frame
2.37- 3.79: 1 zoom HB	104-087	3m - 30m	Vert: 0.67 (U) 0.67 (D) frame, Hor: 0.34 (L) 0.34 (R) frame
3.8- 6.5: 1 zoom HB	104-088	4m - 40m	Vert: 0.67 (U) 0.67 (D) frame, Hor: 0.34 (L) 0.34 (R) frame
0.92: 1 fixed HB	110-810	1m - 10m	Vert: 0.33 (U) 0.33 (D) frame, Hor: 0.15 (L) 0.15 (R) frame
0.75- 1.13: 1 zoom HB	112-540	1m - 10m	Vert: 0.17 (U) 0.17 (D) frame, Hor: 0.07 (L) 0.07 (R) frame
0.75- 1.13: 1 zoom HB	112-539	5m - 30m	Vert: 0.17 (U) 0.17 (D) frame, Hor: 0.07 (L) 0.07 (R) frame

Lens Mount

Motorised shift, zoom and focus.

Mechanical Mounting

Front/Rear Table
Front/Rear Ceiling
Adjustable Front/Rear Feet

Orientation

Table Top or Inverted: Yes
Pointing Up: Yes
Pointing Down: Yes
Roll (Portrait): No

Power Requirements

100-240 VAC, 50/60Hz

Power Consumption

815W

Thermal Dissipation

3109 BTU/Hour

Fan Noise

40.9dBA

Operating/Storage Temperature

Operating: 10° to 40° C

Operating Humidity

20% to 80% RH

Storage: -20° - 60° C

Weight (Chassis Only)

12.6 kg
27.8 lb

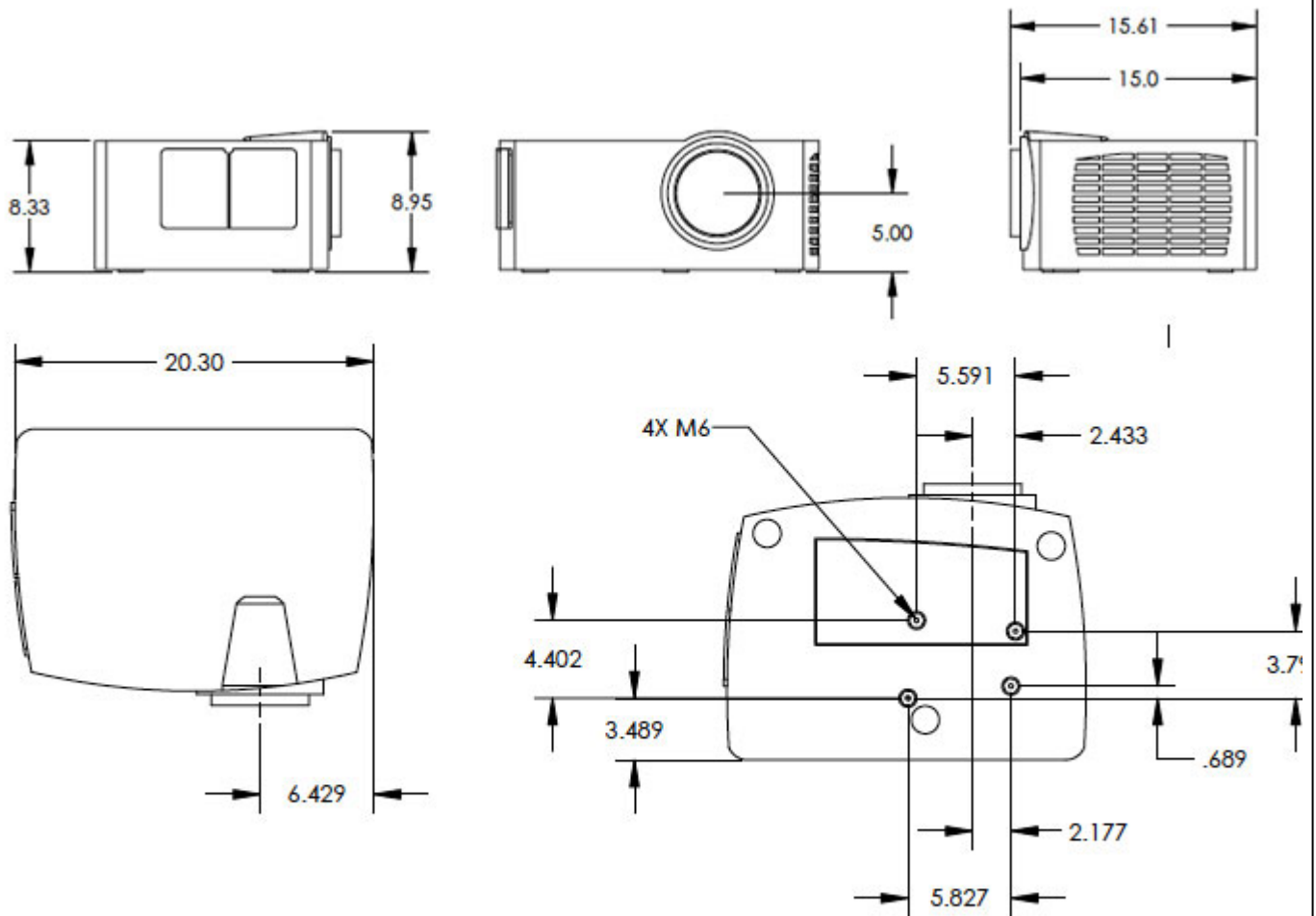
Dimensions

W1 20.1 H1 8.8 L1 14.8 (inches)
W1 510.5 H1 223.5 L1 376 (mm)

Safety & EMC Regulations

CCC, cCSAus, FCC Class A, cUL, UL and CE

**Dimensions included for reference only and are subject to change. Please download the full set of CAD files for this display for more accurate information.*



Downloads

[PDF CAD Drawings](#)

[User Guides](#)

[AUTOCAD Drawings](#)

[Important Information](#)

Specifications subject to change without notice. Digital Projection version: 1.1 - 18-Jul-13 ©2012 Digital Projection.
DLP®, Digital Light Processing™ and DMD are trademarks of Texas Instruments, Inc

DIGITAL PROJECTION, INC 55 CHASTAIN ROAD, SUITE 115 KENNESAW, GA. 30144
T: 770.420.1350 | F: 770.420.1360 | www.digitalprojection.com

DIGITAL PROJECTION, LTD GREENSIDE WAY, MIDDLETON MANCHESTER, UK. M24 1XX
T: +44.161.947.3300 | F: +44.161.684.7674 | www.digitalprojection.co.uk

DIGITAL PROJECTION, CHINA TOWER C, RM C1202, CAI FU JIA YUAN, NO. 19 XIAO YING STREET, CHAOYANG DISTRICT BEIJING, PR CHINA 100101
T: +86.10.58239771 | F: +86 10 58239770

DIGITAL PROJECTION, ASIA 16 NEW INDUSTRIAL ROAD, #02-10 HUDSON TECHNOCENTRE SINGAPORE 536204
T: +65.6284.1138 | F: +65.6284.1238