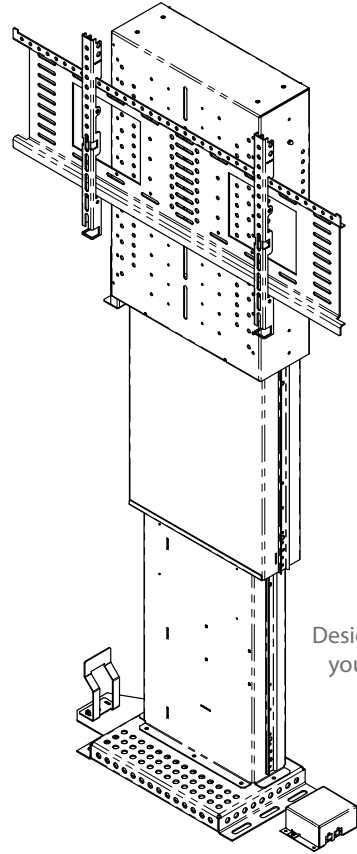


The PL-5000i/PL-6000i Flat Panel Lifts are an ideal choice for your home theater or office setting. Designed for seamless integration inside your furniture, the lift effortlessly raises your display at the touch of a button.

- Raising distance: 41", 160 lb. capacity
- Two positions: stowed, show
- Programmable show position
- 2 Different sizes for flat panel displays: 5000i for up to 50", the 6000i for over 50"
- Timed-control accurate to better than 1/4" height repeatability
- Black powder coat finish frame
- Cable management system
- Finger safety guard
- Whisper-quiet operation
- Includes wired hand-held remote and Universal Flat Panel Mount
- Accessories: optional controls - IR, RF, optional closure frame for adding mill work, cable pre-wire

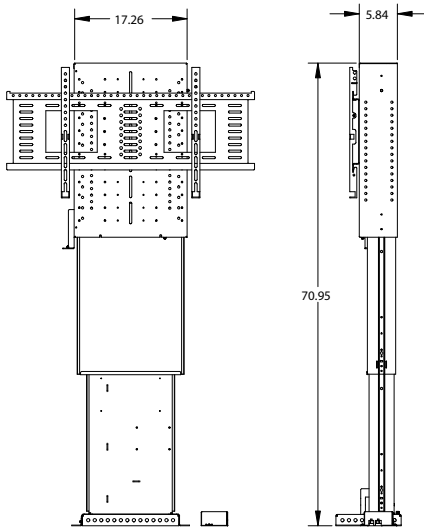


Designed for integration with your custom built cabinet.

PL-5000i	36.00"w x 8.63"d x 34.75"h	168 lbs.
PL-6000i	36.00"w x 8.63"d x 40.75"h	168 lbs.

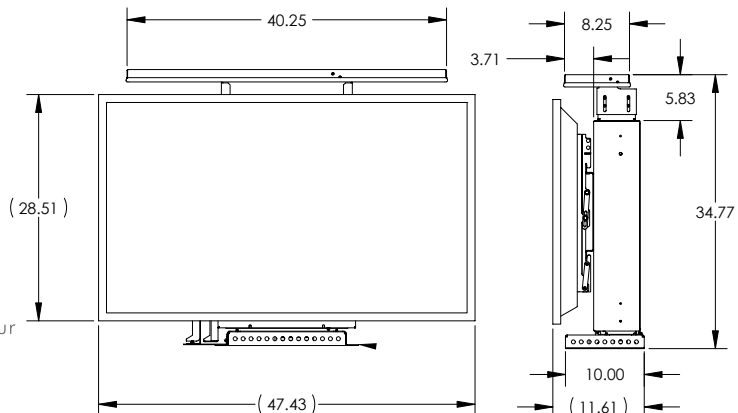
(Dimensions do not include flat panel, speakers or closure)

Model	Raising Height
PL-5000i	41 inches
PL-6000i	41 inches



Contact Sales for dimensional drawings of your specific flat panel display installation

Metric conversion: inches x 25.4



- Contact closure operation
- Power requirements: 110V, 1.2 amp; 220V, .6 amp
- Digital electronics with self diagnostics
- User-programmable show position
- 1 year warranty

Model #	PL5000i / 6000i Series Flat Panel Lifts
PL-5000i	<b>Flat Panel Lift for 40"-50" Flat Panel Displays</b> designed to raise 41". Basic configuration for installation in custom furniture, includes top closure panel, universal mount and wired hand-held remote. 110V/220V.
PL-6000i	<b>Flat Panel Lift for 60"-63" Flat Panel Displays</b> designed to raise 41". Basic configuration for installation in custom furniture, includes top closure panel and wired hand-held remote. 110V/220V.
OPT-11C	<b>Cable Pre-wire</b> of any Flat Panel Lift with control, signal and power cabling
OPT-20	<b>Enclosure Frame</b> for PL-5000i/6000i. Steel frame for mill worker to add cabinet - built to order. Specify dimensions of any optional products to be raised such as speakers, cameras, etc..
PCS-02	<b>Power Current Sensor</b> for projectors and Flat Panel Displays. 110V.
REM-IR	<b>Wireless Infrared Remote Control.</b> May be used with any motorized Display Devices product.
REM-RF	<b>Wireless RF Remote Control.</b> May be used with any motorized Display Devices product.
WPR-P01-W	<b>Wall Plate Remote</b> for all Flat Panel Lifts. Single-gang white.
WPR-P01-B	<b>Wall Plate Remote</b> for all Flat Panel Lifts. Single-gang black.
WPR-P01-S	<b>Wall Plate Remote</b> for all Flat Panel Lifts. Single-gang brushed steel.
REM-P19-RM	<b>Rack Mount Panel Remote</b> wired control panel. 1.75" x 19" EIA black.
REM-P02-WLKY-W	<b>Locking Wall Plate Remote</b> wired control panel with security key lock. 4" x 4", white steel.
REM-P02-WLKY-B	<b>Locking Wall Plate Remote</b> wired control panel with security key lock. 4" x 4", black steel.
REM-P02-WLKY-S	<b>Locking Wall Plate Remote</b> wired control panel with security key lock. 4" x 4", brushed steel.