

Is that flat panel television just not fitting in with the decor in your home or office? If not, the PL-3000 Series Flat Panel Lift is for you! This lift is designed to raise and lower a flat panel display from the ceiling. The PL-3000 Series accommodates displays up to 63".

- Two positions: stowed, show
- For all flat panel displays
- Timed-control accurate to less than 1/4"
- Ceiling closure - swing open door
- Cable management system
- Programmable show position
- Whisper-quiet operation
- Includes wired hand-held remote and universal mount
- Built to accommodate add-on equipment (speakers, cameras)
- Accessories: optional controls - IR, RF, cable pre-wire

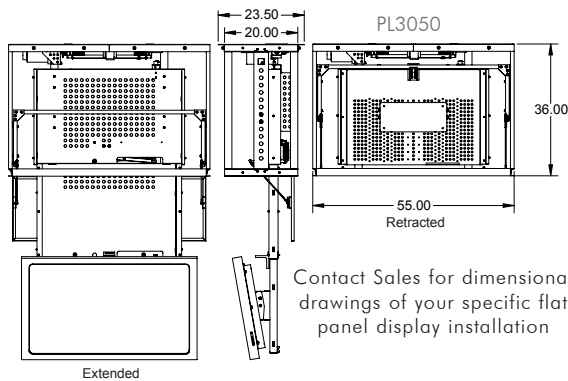


(Dimensions do not include display, speakers or closure system)

PL-3042	50" w x 23.0" d x 36" h*	335 lbs.
	for 40" - 42" flat panels	
PL-3050	55" w x 23.5" d x 36" h*	350 lbs.
	for 47" - 50" flat panels	
PL-3060**	66" w x 20.5" d x 44" h*	375 lbs.
	for 60" - 63" flat panels	

* dimensions vary based on accessories

** no tilt mounting per manufacturer



Contact Sales for dimensional drawings of your specific flat panel display installation

Metric conversion: inches x 25.4

- | | |
|-----------|-------------------|
| Model | Lowering distance |
| • PL-3042 | 40 inches |
| • PL-3050 | 40 inches |
| • PL-3060 | 49 inches |
- Contact closure operation
 - Power requirements: 110V, 1.2 amp; 220V, .6 amp
 - Digital electronics with self diagnostics
 - User-programmable show position
 - Includes tilt mount - 15° adjustment
 - Requires PM-xxx - Specify display / speakers / camera for proper mount and frame size
 - 1 year warranty

Model #	PL3000 Series Flat Panel Display Lifts
PM-xxx	Flat Panel Mount. Flat Mounting Adapter for Flat Panel Display. Specify Make / Model # of display panel.
PL-3042	Ceiling Flat Panel Lift for 42" Flat Panel Displays. Designed to lower 40" with tilt from ceiling. Includes plenum enclosure, hinged ceiling closure frame, wired remote. 110V/220V. Universal Mount Included.
PL-3050	Ceiling Flat Panel Lift for 50" Flat Panel Displays. Designed to lower 40" with tilt from ceiling. Includes plenum enclosure, hinged ceiling closure frame, wired remote. 110V/220V. Universal Mount Included.
PL-3060	Ceiling Flat Panel Lift for 61" Flat Panel Displays. Designed to lower 49" (no tilt) from ceiling. Includes plenum enclosure, hinged ceiling closure frame, wired remote. 110V/220V. PM-xxx required.
OPT-11C	Cable Pre-wire of any Flat Panel Lift with control, signal and power cabling
PCS-02	Power Current Sensor for projectors and Flat Panel Displays. 110V.
REM-IR	Wireless Infrared Remote Control. May be used with any motorized Display Devices product.
REM-RF	Wireless RF Remote Control. May be used with any motorized Display Devices product.
WPR-P01-W	Wall Plate Remote for all Flat Panel Lifts. Single-gang white.
WPR-P01-B	Wall Plate Remote for all Flat Panel Lifts. Single-gang black.
WPR-P01-S	Wall Plate Remote for all Flat Panel Lifts. Single-gang brushed steel.
REM-P19-RM	Rack Mount Panel Remote wired control panel. 1.75" x 19" EIA. Black.
REM-P02-WLKY-W	Locking Wall Plate Remote wired control panel with security key lock. 4" x 4", white steel.
REM-P02-WLKY-B	Locking Wall Plate Remote wired control panel with security key lock. 4" x 4", black steel.

FEATURES & BENEFITS

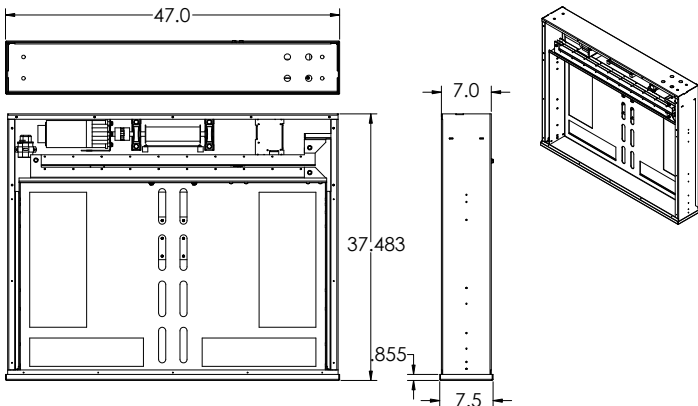
The PL-3200 Flat Panel Lifts add a new level of class to the boardroom or the bedroom. Designed for rooms with higher ceilings, the PL-3200 offers an unprecedented 70 inches of vertical travel.

- Lowering distance: 70", 90 lb. capacity
- Two positions: stowed, show
- Programmable show position
- For most 42" - 50" flat panel displays
- Timed-control accurate to less than 1/4"
- Ceiling closure - bottom attachment panel
- Cable management system
- Whisper-quiet operation
- Includes programmable wired hand-held remote
- Accessories: optional controls - RS232, IR, RF, cable pre-wire
- Slim profile design - no tilt



PL-3242 47.0"w x 7.50"d x 37.50"h 135 lbs.
for 42" flat panels

PL-3250 53.4"w x 7.75"d x 41.25"h 150 lbs.
for 50" flat panels without speakers



Contact Sales for dimensional drawings of your specific flat panel display installation

Metric conversion: inches x 25.4

Model	Lowering distance	Max Panel Dims
• PL-3242	70 inches	41.5"w x 25.0"h
• PL-3250	70 inches	49.0"w x 29.0"h

- Contact closure operation
- Power requirements: 110V, 1.2 amp; 220V, 0.6 amp
- Digital electronics with self diagnostics
- User programmable show position
- Requires PM-xxx Flat Panel Mount - Specify make and model of display.
- 1 year warranty

DRAWINGS & SPECIFICATIONS

Model #	PL3200 Series Flat Panel Lift
PM-xxx	Flat Panel Mount. Flat Mounting Adapter for Flat Panel Display. Specify Make / Model # of display panel.
PL-3242	Ceiling Flat Panel Lift designed to lower 42" Flat Panel Displays from ceiling. Slim profile design of 7.5" depth. Provides up to 70" travel distance and programmable show position. Includes plenum enclosure. Dry contact closure. 110V/220V. PM-xxx required.
PL-3250	Ceiling Flat Panel Lift designed to lower 50" Flat Panel Displays from ceiling. Slim profile design of 7.5" depth. Provides up to 70" travel distance and programmable show position. Includes plenum enclosure. Dry contact closure. 110V/220V. PM-xxx required.
OPT-11C	Cable Pre-wire of any Flat Panel Lift with control, signal and power cabling.
PCS-02	Power Current Sensor for projectors and Flat Panel Displays. 110 V.
REM-IR	Wireless Infrared Remote Control. May be used with any motorized Display Devices product.
REM-RF	Wireless RF Remote Control. May be used with any motorized Display Devices product.
WPR-P01-W	Wall Plate Remote for all Flat Panel Lifts. Single-gang, white steel.
WPR-P01-B	Wall Plate Remote for all Flat Panel Lifts. Single-gang, black steel.
WPR-P01-S	Wall Plate Remote for all Flat Panel Lifts. Single-gang, stainless steel.
REM-P19-RM	Rack Mount Panel Remote wired control panel. 1.75" x 19" EIA. Black.
REM-P02-WLKY-W	Locking Wall Plate Remote wired control panel with security key lock. 4" x 4", white steel.
REM-P02-WLKY-B	Locking Wall Plate Remote wired control panel with security key lock. 4" x 4", black steel.