

iVision 20sx+ W-XC

1,600 ANSI Lumens | Contrast Ratio: 2,500:1 | Part No:107-720

iVision 20 Series Digital Projectors



Colour System: 6 Segment RGBRGB Colour Wheel	DMD Specification: 1400 x 1050 pixels native. Fast transit pixels for smooth greyscale and improved contrast.
Display Type: 1 x 0.95" DarkChip™ DMD™	Aspect Ratio: 4x3 Fill Factor 87%

Key Features

Video & Graphics Processing

- Auto mode selection - plug and play setup
- 10-bit color resolution
- HDMI 1.3a and dual link DVI digital inputs
- Full 10-bit deinterlacer with integral scaler

ColorMax™

- User Selection and storage of Primary and Secondary colour targets.

Source Compatibility:

HDMI including Deep Color™ processing.
 Graphics standards up to 1920 x 1200 resolution at 60Hz via DVI, HDMI or VGA.
 DVI single link with HDCP compliance.
 Component Video (SD and HD) via YPbPr.
 S-Video (PAL, NTSC & SECAM)
 Composite Video (PAL, NTSC & SECAM)

Inputs/Outputs

Video & Computer			Communication & Control		
Type	Connector	Qty	Type	Connector	Qty
DVI-D - Single Link DVI	DVI	1	3D Sync Out	BNC	1
HDMI 1.3	HDMI	1	3D Sync In	BNC	1
VGA / Analog RGB	15-pin D-Sub	1	LAN	RJ45	1
Component Video	YPbPr	1	RS232	9-pin D Sub	1
S-Video	4-pin Mini DIN	1	Wired Remote In	3.5mm Stereo Jack	1
Composite Video	RCA	1	Wired Remote Out	3.5mm Stereo Jack	1
			Service Port	USB Type B	1

3D Formats Supported	HDTV Formats Supported
----------------------	------------------------

Not applicable

1080p (24Hz, 25Hz, 30Hz, 50Hz, 60Hz), 1080i (50Hz, 60Hz), 720p (50, 60Hz)

Computer Compatibility	Bandwidth
------------------------	-----------

Up to 1920 x 1200

205 MHz on analog RGB
160 MHz on DVI
75 MHz on Component

Remote Control	Automation Control
----------------	--------------------

Addressable IR remote control, wireless and wired with loop-through.
On-Board keypad

RS232
LAN

Colour Temperature

User selectable from 3200 to 9300K

Lamp Type	Typical Lamp Life
-----------	-------------------

1 x 220 watt UHP VID1 lamp

Full Power: 2000 hours

Eco Mode : 4000 hours

Lenses

Lens	Part No.	Focus Range	Lens Shift
iVision 20sx+ XB 1.78 - 2.23:1	107-715V	1.5m - 10m	Vert: 0.5 (U) 0 (D) frame, Hor: 0 (L) 0 (R) frame
iVision 20sx+ XL 1.78 - 2.23:1	107-716V	1.5m - 10m	Vert: 0.5 (U) 0 (D) frame, Hor: 0 (L) 0 (R) frame
iVision 20sx+ XC 1.78 - 2.23:1	107-717V	1.5m - 10m	Vert: 0.5 (U) 0 (D) frame, Hor: 0 (L) 0 (R) frame
iVision 20sx+ L XB 2.7 - 4.10:1	108-697V	5m - 25 m	Vert: 0.5 (U) 0 (D) frame, Hor: 0 (L) 0 (R) frame
iVision 20sx+ L XL 2.7 - 4.10:1	108-698V	5m - 25 m	Vert: 0.5 (U) 0 (D) frame, Hor: 0 (L) 0 (R) frame
iVision 20sx+ L XC 2.7 - 4.10:1	108-699V	5m - 25 m	Vert: 0.5 (U) 0 (D) frame, Hor: 0 (L) 0 (R) frame
iVision 20sx+ W XB 1.0:1	107-718V	1m - 10m	Vert: 0.3 (U) 0 (D) frame, Hor: 0 (L) 0 (R) frame
iVision 20sx+ W XL 1.0:1	107-719V	1m - 10m	Vert: 0.3 (U) 0 (D) frame, Hor: 0 (L) 0 (R) frame
iVision 20sx+ W XC 1.0:1	107-720V	1m - 10m	Vert: 0.3 (U) 0 (D) frame, Hor: 0 (L) 0 (R) frame
iVision 20sx+ UW XB 0.8:1	107-722V	.7m - 5.0m	Vert: 0.5 (U) 0 (D) frame, Hor: 0 (L) 0 (R) frame
iVision 20sx+ UW XL 0.8:1	107-723V	.7m - 5.0m	Vert: 0.5 (U) 0 (D) frame, Hor: 0 (L) 0 (R) frame
iVision 20sx+ UW XC 0.8:1	107-721V	.7m - 5.0m	Vert: 0.5 (U) 0 (D) frame, Hor: 0 (L) 0 (R) frame

Lens Mount

Manual shift, zoom & focus.

Mechanical Mounting	Orientation
---------------------	-------------

Front/Rear Table
Front/Rear Ceiling
Adjustable Front/Rear Feet

Table Top or Inverted: Yes
Pointing Up: +/-20° from horizontal
Pointing Down: +/-20° from horizontal
Roll (Portrait): Yes

Power Requirements	Power Consumption
--------------------	-------------------

100-240 VAC, 50/60Hz

350W

Thermal Dissipation	Fan Noise
---------------------	-----------

1200 BTU/Hour

30dBA

Operating/Storage Temperature	Operating Humidity
-------------------------------	--------------------

Operating: 0° to 40° C at 0-1500m / 0° to 35° C at 1500-3000m

20% to 80% RH

Storage: -20° - 60° C

Weight (Chassis Only)	Dimensions
-----------------------	------------

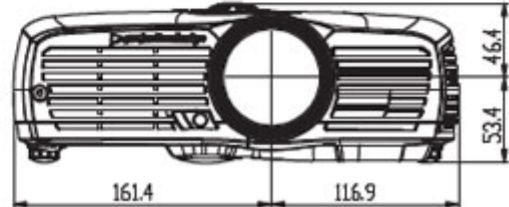
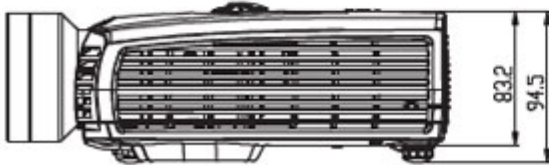
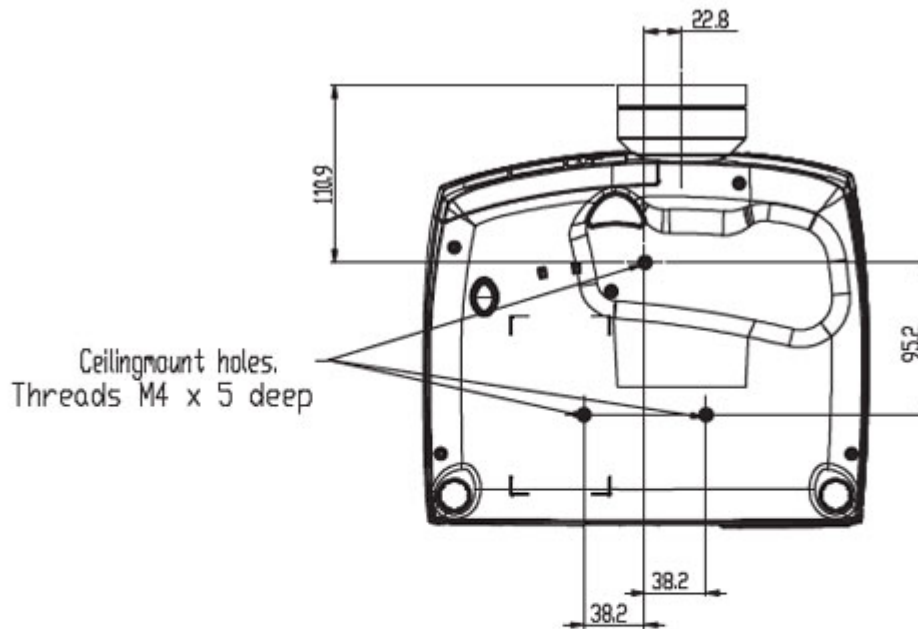
2.55 kg
6 lb

L: 23.4 cm W: 27.8 cm H: 9.4 cm
L: 9.2 in W: 10.9 H: 3.7 in

Safety & EMC Regulations

CE, FCC Class A and cCSAus

**Dimensions included for reference only and are subject to change. Please download the full set of CAD files for this display for more accurate information.*



Downloads

[PDF CAD Drawings](#)

[User Guides](#)

[AUTOCAD Drawings](#)

[Important Information](#)

Specifications subject to change without notice. Digital Projection version: 1 - 22-May-13 ©2012 Digital Projection. DLP®, Digital Light Processing™ and DMD are trademarks of Texas Instruments, Inc

DIGITAL PROJECTION, INC 55 CHASTAIN ROAD, SUITE 115 KENNESAW, GA. 30144
T: 770.420.1350 | F: 770.420.1360 | www.digitalprojection.com

DIGITAL PROJECTION, LTD GREENSIDE WAY, MIDDLETON MANCHESTER, UK. M24 1XX
T: +44.161.947.3300 | F: +44.161.684.7674 | www.digitalprojection.co.uk

DIGITAL PROJECTION, CHINA TOWER C, RM C1202, CAI FU JIA YUAN, NO. 19 XIAO YING STREET, CHAOYANG DISTRICT BEIJING, PR CHINA 100101
T: +86.10.58239771 | F: +86 10 58239770

DIGITAL PROJECTION, ASIA 16 NEW INDUSTRIAL ROAD, #02-10 HUDSON TECHNOCENTRE SINGAPORE 536204
T: +65.6284.1138 | F: +65.6284.1238