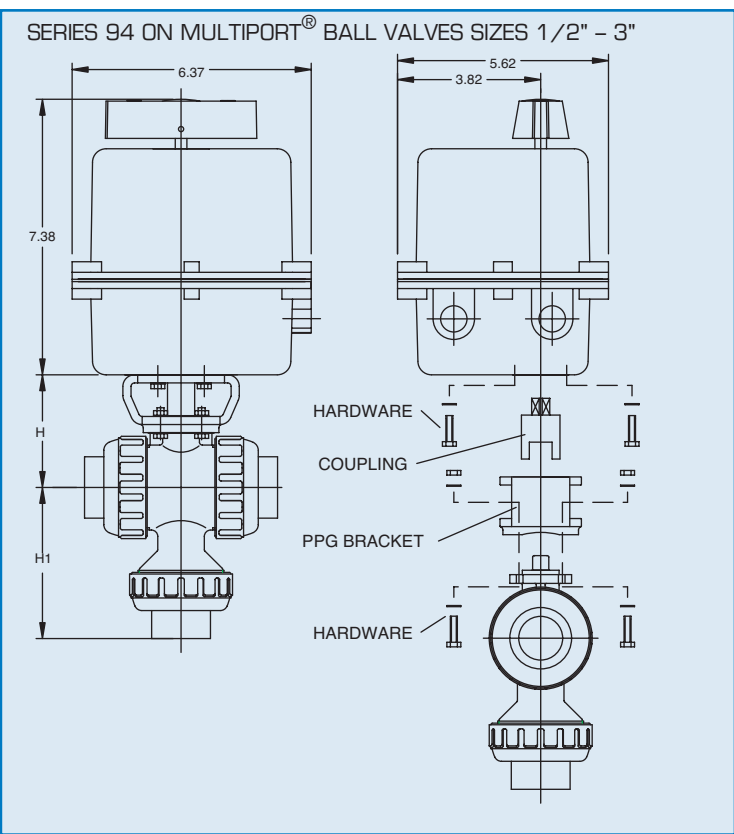
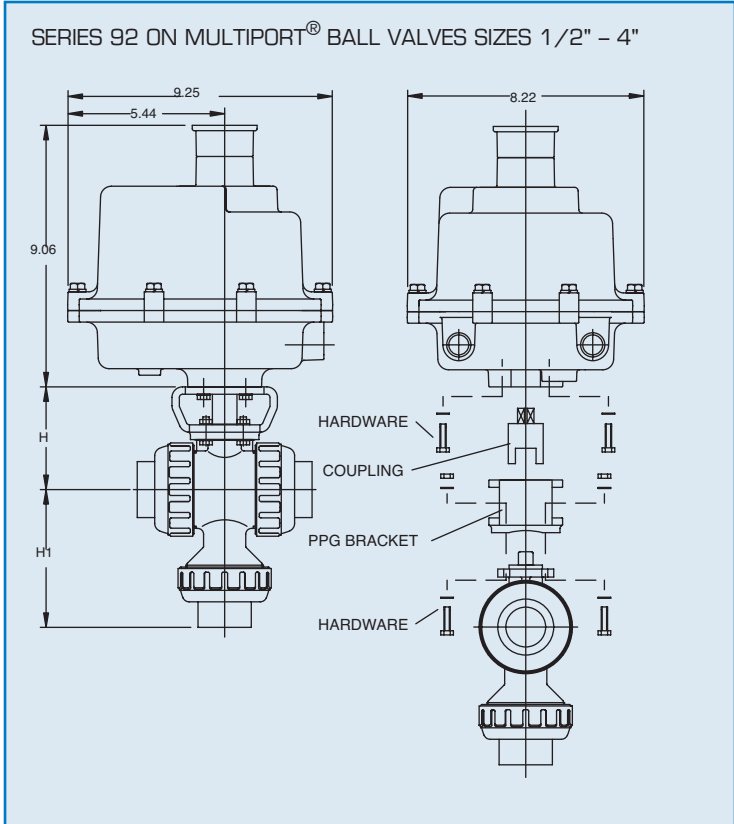


Electrically Actuated Type-23



L port ball configuration supplied as a standard for 180 degree rotation.

Dimensions (in.)
SERIES 92 on
MULTIPOINT® (1/2"-4")

NOMINAL SIZE		H	H1*
INCHES	mm		
1/2	15	2.76	3.08
3/4	20	3.01	3.56
1	25	3.29	4.32
1-1/2	40	3.98	5.71
2	50	4.43	6.66
3	80	5.47	9.59
4	100	6.97	11.58

*PVC/CPVC Socket End FOR FEATURES OF SERIES 92 ACTUATOR, SEE PAGE 22.

Dimensions (in.)
SERIES 94 on
MULTIPOINT® (1/2"-3")

NOMINAL SIZE		H	H1*
INCHES	mm		
1/2	15	2.76	3.08
3/4	20	3.01	3.56
1	25	3.29	4.32
1-1/2	40	3.98	5.71
2	50	4.43	6.66
3	80	5.47	9.59

*PVC/CPVC Socket End FOR FEATURES OF SERIES 94 ACTUATOR, SEE PAGE 23.