

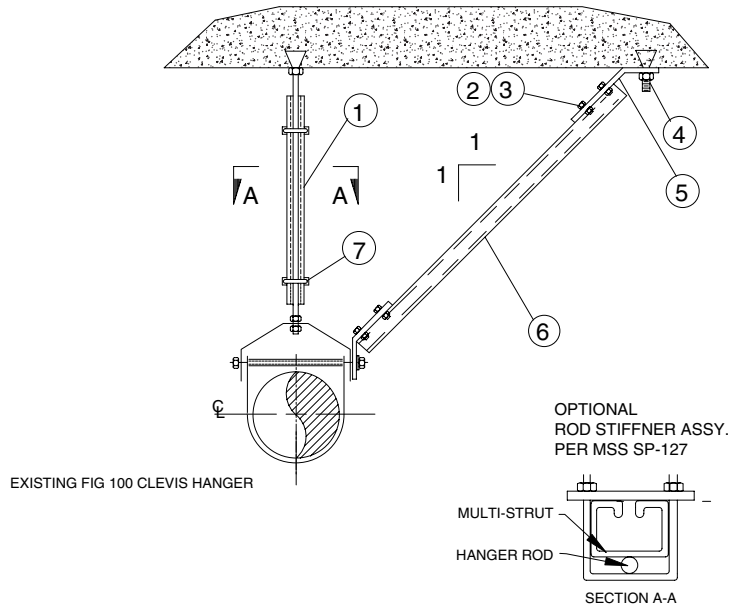
MULTI-STRUT®

SEISMIC BRACING

DETAIL SR-3

Item No.	No. Req'd.	Fig No. Part No.	Description
1	1	M132	Multi-Strut Channel
2	2	SN	Strut Nut
3	4	BLT	Hex Head Cap Screw
4	1	KB	Wedge Anchor*
5	2	3HSB	Seismic Bracket*
6	1	MXXX	Multi-Strut Channel*
7	2	C402	Beam Clamp

*Size based upon application.



DETAIL SR-5

Item No.	No. Req'd.	Fig No. Part No.	Description
1	1	M132	Multi-Strut Channel
2	4	SN	Strut Nut
3	4	BLT	Hex Head Cap Screw
4	1	KB	Wedge Anchor*
5	2	SH300	Seismic Bracket*
6	1	MXXX	Multi-Strut Channel*
7	2	C402	Beam Clamp

*Size based upon application.

