

FITTINGS

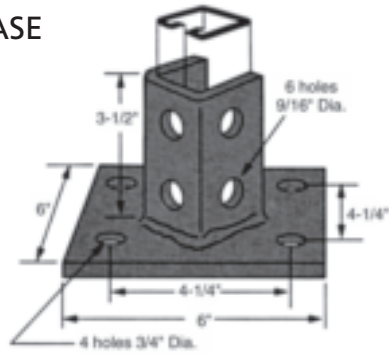
DATA:

1/4" thick, 1 5/8" wide, holes 9/16" dia.,
spaced 1 7/8" on center & 1 3/16" from end.

FINISH: Electro-Galvanized

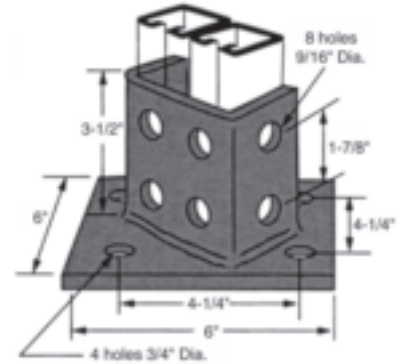
B-620
SINGLE POST BASE

wt: 373#/C



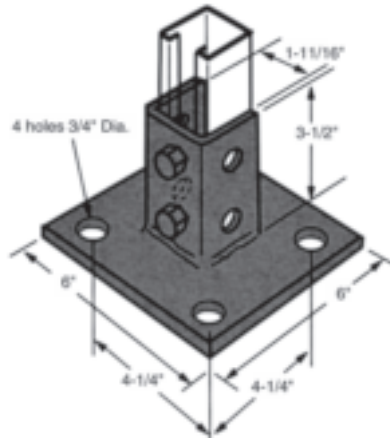
B-620A
DOUBLE POST BASE

wt: 408#/C



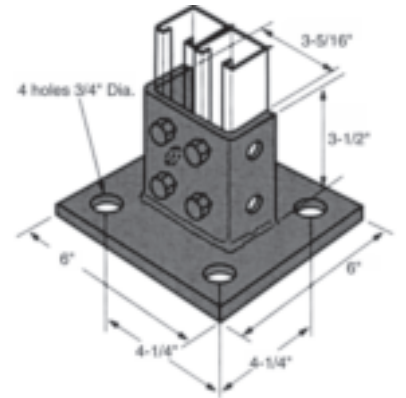
B-620-SQ
SINGLE POST BASE

wt: 392#/C



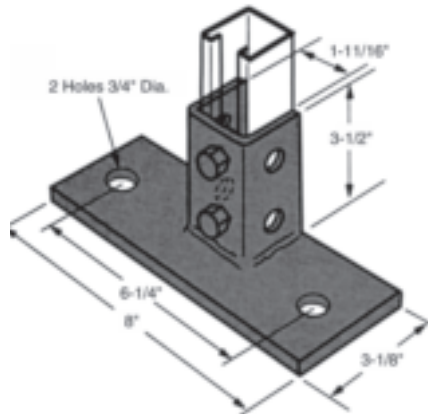
B-620A-SQ
DOUBLE POST BASE

wt: 400#/C



B-620-FL
SINGLE POST BASE

wt: 312#/C



B-620A-FL
DOUBLE POST BASE

wt: 320#/C

