

## STRUCTURE ATTACHMENTS

### HEAVY WELDED STEEL BRACKET

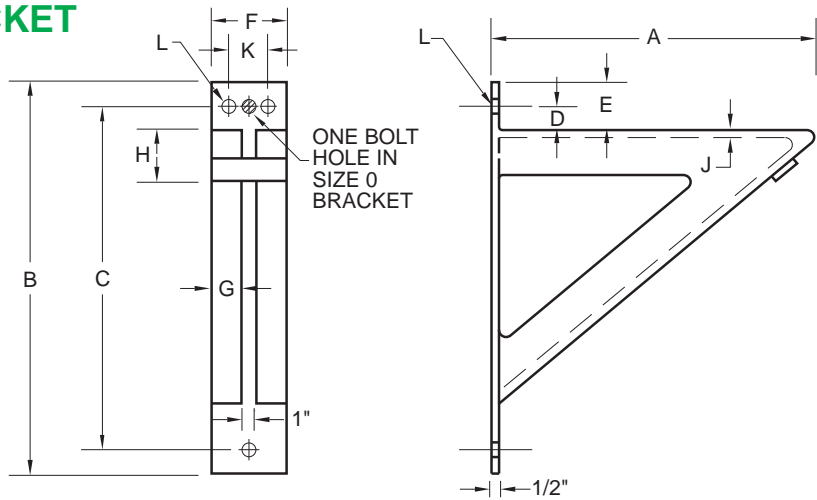
**Figure 139**

The Figure 139 is designed to support pipe from either above or below. Slotted construction allows for drop rod use along the length of the bracket. This bracket is for bolted installation to walls and may require a backing plate. Special steel brackets can be fabricated to customers loads and/or dimensions.

**Compliance:** A-A-1192A Type 33, MSS-SP 69 Type 33.

**Finish:** Plain, Painted, Hot-Dip Galvanized.

**Ordering:** Specify size number, figure number, and finish. For Metric applications specify Figure M139.



**FIGURE 139 – HEAVY WELDED STEEL BRACKET**

SIZE	MAX LOAD	A	B	C	D	E	F	G	H	J	K	L	WGT EACH
0	3000	12	18	15¼	1½	2¾	4½	1½	2	¼	NA	1⅜	25.1
0	13345	305	457	387	38	70	114	38	51	6	NA	21	11.4
1	3000	18	24	21¾	1½	2¾	5	1½	2	¾	2¾	1⅜	44.8
1	13345	457	610	543	38	70	127	38	51	10	70	21	20.3
2	3000	24	30	27½	1½	2¾	5	1½	2½	¾	2½	1⅜	60.7
2	13345	610	762	699	38	70	127	38	64	10	64	27	27.5
3	3000	30	36	33¼	1¾	3	6	2	2½	¾	2½	1⅜	98.1
3	13345	762	914	845	41	76	152	51	64	10	64	27	44.5
4	3000	36	42	39	1½	3	6	2	3½	¾	3½	1⅜	129.4
4	13345	914	1067	991	38	76	152	51	89	10	89	27	58.7
5	3000	42	50	46	1½	3½	7	2½	3½	¾	3½	1⅜	177.2
5	13345	1067	1270	1168	38	89	178	64	89	10	89	27	80.4

### METAL DECK CEILING BOLT

**Figure 143**

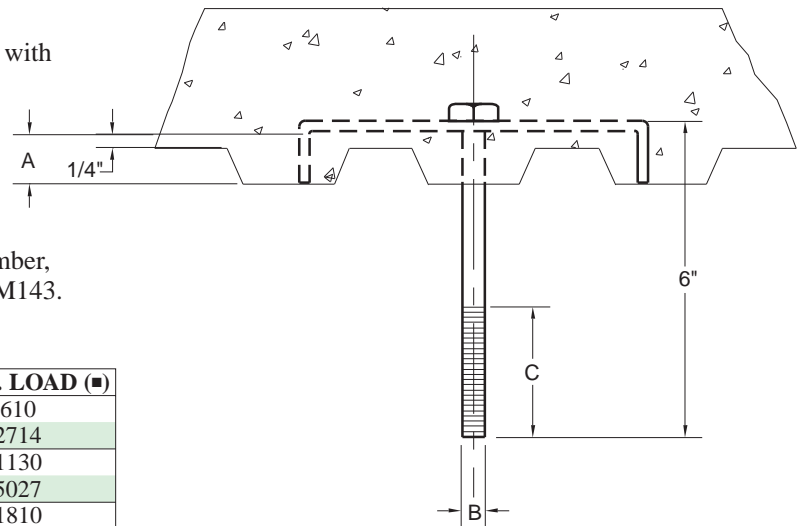
The Figure 143 Metal Deck Ceiling Bolts are used with our Figure 123. Rod Couplings ordered separately.

Made special to customer order.

**Material:** Steel

**Finish:** Plain, Painted, Electro-Galvanized, Hot-Dip Galvanized.

**Ordering:** Specify size, dimension “A”, figure number, and finish. For Metric applications specify Figure M143.



**FIG. 143 – METAL DECK CEILING BOLT**

SIZE NO.	B	C	A	MAX. LOAD (■)
1	¾	1		610
1	10	25		2714
2	½	1¼	S	1130
2	13	32	P	5027
3	¾	1½	E	1810
3	16	38	C	8052
4	¾	1¾	I	2710
4	19	44	F	12055
5	¾	2	Y	3770
5	22	51		16770
6	1	2¼		4960
6	25	57		22064

(■) Based on the rod size. customer to verify the strength of the deck.