

STAMPED STEEL HANGER

Figure 66CT

Our Figure 66CT Stamped Steel Hanger for copper tubing is a strong, neat, and light concealed screw hanger. It supports the tubing one inch from the back of the tube to the wall and has only two parts. It takes the place of rough unsightly looking hangers in a finish room and eliminates the use of ordinary pipe clips.

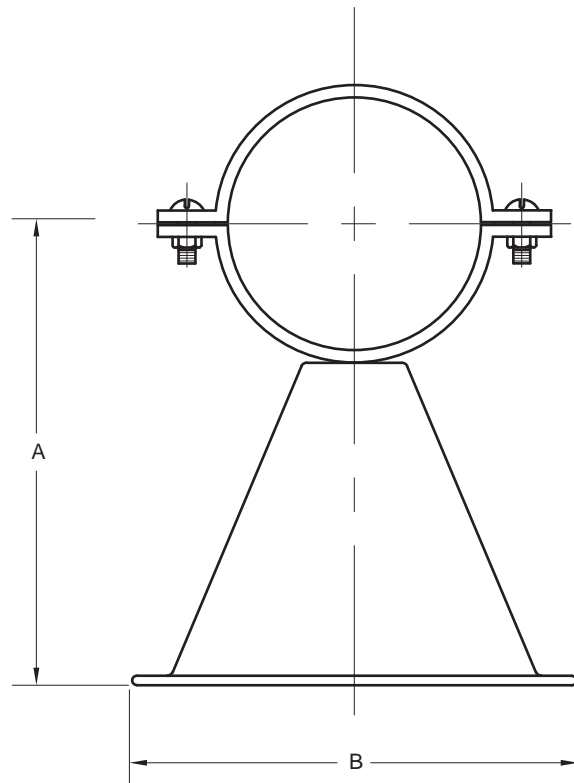
Material: Steel.

Finish: Copper.

Ordering: Specify tube size and figure number.

FIGURE 66CT – STAMPED STEEL HANGER

TUBE SIZE	A	B	WEIGHT EACH
3/8	1 1/8	1 1/8	0.075
10	29	41	0.03
1/2	1 3/16	1 1/8	0.075
15	30	41	0.03
3/4	1 5/16	1 1/8	0.08
20	33	41	0.04
1	1 7/16	1 1/8	0.085
25	37	41	0.04
1 1/4	1 9/16	1 1/8	0.09
32	40	41	0.04
1 1/2	1 1/4	1 5/8	0.06
40	32	41	0.03
2	1 3/4	1 5/8	0.07
50	44	41	0.03



DIMENSIONS	TEMPERATURE	LOADS	WEIGHT
INCHES	FAHRENHEIT	POUNDS	POUNDS
MILLIMETERS	CELSIUS	NEWTONS	KILOGRAMS