

## PIPE ATTACHMENTS

### THREADED BASE STAND

**Figure 138**

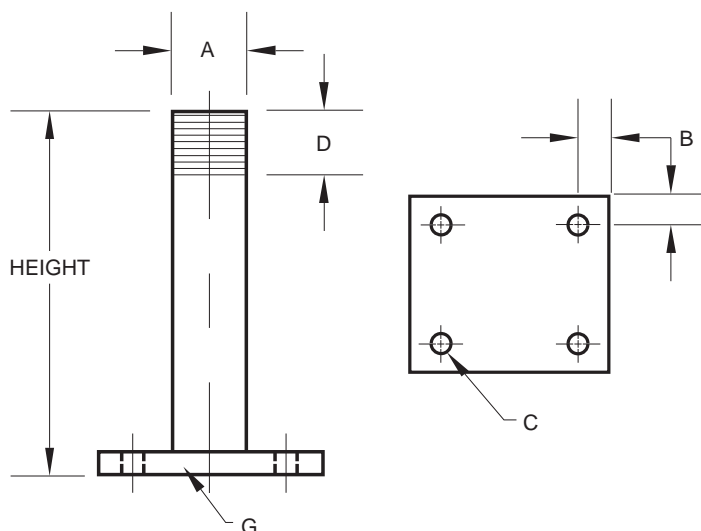
The Figure 138 is designed for use with our Figure 101 and Figure 125.

**Materials:** Carbon Steel.

**Compliance:** To Federal Specification A-A-1192A Types 36, 37, 38, MSS-SP-69 Types 36, 37, 38 when used with the appropriate Pipe Saddle type attachment.

**Finish:** Plain, Painted, Hot-Dip Galvanized.

**Ordering:** Specify figure number, pipe size, height, and finish. For Metric applications specify Figure M138.



**FIGURE 138 – THREADED BASE STAND**

PIPE SIZE A	B	C	D	G	WEIGHT EACH
1	1	$\frac{5}{16}$	$1\frac{1}{2}$	$\frac{1}{4} \times 6 \times 6$	4.95
25	25	14	38	6 x 152 x 152	2.25
$1\frac{1}{4}$	1	$\frac{5}{16}$	$1\frac{1}{2}$	$\frac{1}{4} \times 6 \times 6$	5.83
32	25	14	38	6 x 152 x 152	2.64
$1\frac{1}{2}$	1	$\frac{5}{16}$	$1\frac{1}{2}$	$\frac{1}{4} \times 6 \times 6$	6.49
40	25	14	38	6 x 152 x 152	2.94
2	1	$\frac{5}{16}$	$1\frac{1}{2}$	$\frac{1}{4} \times 6 \times 6$	7.85
50	25	14	38	6 x 152 x 152	3.56
$2\frac{1}{2}$	$1\frac{1}{4}$	$\frac{5}{16}$	$1\frac{1}{2}$	$\frac{3}{8} \times 8 \times 8$	15.20
65	32	14	38	10 x 203 x 203	6.91
3	$1\frac{1}{2}$	$\frac{15}{16}$	$1\frac{1}{2}$	$\frac{3}{8} \times 12 \times 12$	26.20
80	40	21	38	10 x 305 x 305	11.90
4	$1\frac{1}{2}$	$\frac{15}{16}$	2	$\frac{1}{2} \times 12 \times 12$	35.90
100	40	24	51	13 x 305 x 305	16.30
6	$1\frac{1}{2}$	$1\frac{1}{8}$	2	$\frac{1}{2} \times 18 \times 18$	73.50
150	40	29	51	13 x 457 x 457	9.40

Weights are based upon a height "H" of 18"

DIMENSIONS	TEMPERATURE	LOADS	WEIGHT
INCHES	FAHRENHEIT	POUNDS	POUNDS
MILLIMETERS	CELSIUS	NEWTONS	KILOGRAMS