

## BEAM CLAMPS

### TOP BEAM CLAMP

**Figure 6**

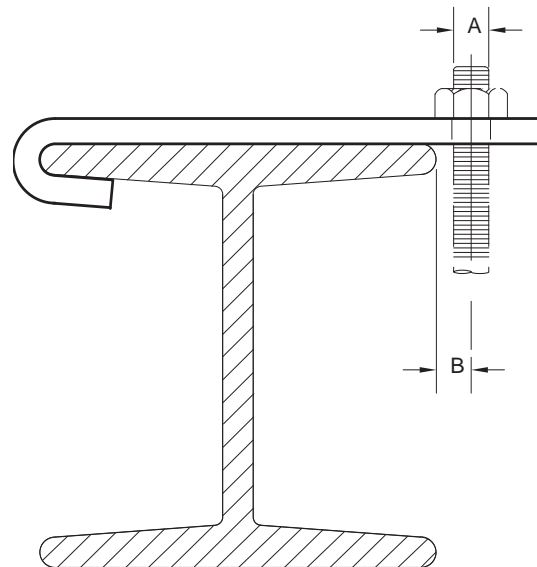
The Figure 6 is designed to support piping from top members of angle iron trusses or the top flange of I-beams.

**Material:** Carbon Steel.

**Finish:** Plain, Painted, Electro-Galvanized, Hot-Dip Galvanized.

**Ordering:** Specify clip number, flange width, flange thickness, figure number, and finish. For Metric applications specify Figure M6.

Made special to customer order.



**FIGURE 6 – TOP BEAM CLAMP**

CLIP NO.	MAXIMUM LOAD	ROD SIZE	A	B	WEIGHT EACH WIDTH OF I BEAM FLANGE			
					4 102	6 152	8 203	12 305
1	300	$\frac{3}{8}$	$\frac{5}{16}$	0.46	0.59	0.73	0.99	
1	1335	M10	7.9	0.21	0.27	0.33	0.45	
2	500	$\frac{1}{2}$	$\frac{3}{8}$	0.62	0.80	0.97	1.33	
2	2224	M12	9.5	0.28	0.36	0.44	0.60	
3	700	$\frac{5}{8}$	$\frac{7}{16}$	1.05	1.34	1.62	2.21	
3	3114	M16	11.1	0.48	0.61	0.73	1.00	
4	1000	$\frac{3}{4}$	$\frac{1}{2}$	1.59	2.01	2.42	3.29	
4	4448	M20	12.7	0.72	0.91	1.10	1.49	
5	2000	$\frac{7}{8}$	$\frac{9}{16}$	2.77	3.51	4.22	5.64	
5	8897	M22	14.3	1.26	1.59	1.91	2.56	

DIMENSIONS	TEMPERATURE	LOADS	WEIGHT
INCHES	FAHRENHEIT	POUNDS	POUNDS
MILLIMETERS	CELSIUS	NEWTONS	KILOGRAMS