

LIGHT DUTY U-BOLT

Figure 283L

The Figure 283L is recommended for the guiding, anchoring and supporting of conduit or light piping loads. Furnished with two (2) hex nuts.

Material: Carbon Steel

Compliance: Federal Specification A-A-1192A (Type 24), MSS-SP 69 (Type 24), and BSPSS-BS3974.

Finish: Plain, Electro-galvanized

Ordering: Specify pipe size, figure number, and finish.

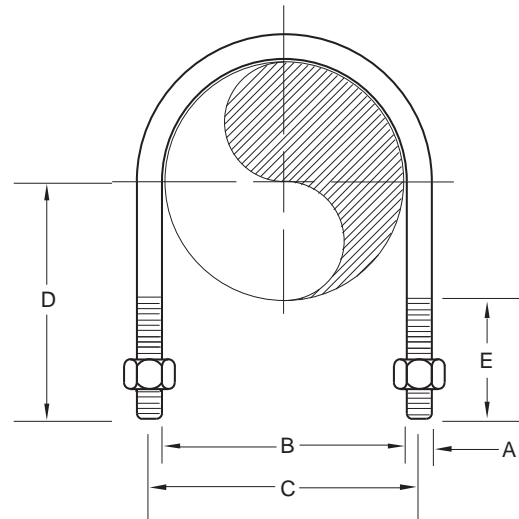


FIGURE 283L - LIGHT DUTY U-BOLT

PIPE SIZE	MAXIMUM LOAD	A	B	C	D	E	WEIGHT EACH
1/2	580	1/4	1	1 1/4	2	1 3/4	0.06
15	2580	M6	25	32	51	44	0.03
3/4	580	1/4	1 1/8	1 3/8	2 1/8	1 3/4	0.07
20	2580	M6	29	35	54	44	0.03
1	580	1/4	1 3/8	1 5/8	2 1/4	1 3/4	0.07
25	2580	M6	35	41	57	44	0.03
1 1/4	580	1/4	1 3/4	2	2 3/8	1 3/4	0.08
32	2580	M6	44	51	60	44	0.04
1 1/2	580	1/4	2	2 1/4	2 1/2	1 3/4	0.09
40	2580	M6	51	57	64	44	0.04
2	580	1/4	2 1/2	2 3/4	2 3/4	1 3/4	0.10
50	2580	M6	64	70	70	44	0.05
2 1/2	1460	3/8	3	3 3/8	3 1/8	2	0.28
65	6495	M10	76	86	79	51	0.13
3	1460	3/8	3 5/8	4	3 3/8	2	0.31
80	6495	M10	92	102	86	51	0.14
3 1/2	1460	3/8	4 1/8	4 1/2	3 5/8	2	0.35
90	6495	M10	105	114	92	51	0.16
4	1460	3/8	4 5/8	5	3 7/8	2	0.38
100	6495	M10	117	127	98	51	0.17
5	1460	3/8	5 5/8	6	4 5/8	2 1/4	0.45
125	6495	M10	143	152	117	57	0.20
6	2700	1/2	6 3/4	7 1/4	5 5/8	2 1/4	0.95
150	12011	M12	171	184	130	57	0.43
8	2700	1/2	8 3/4	9 1/4	6 5/8	2 1/4	1.2
200	12011	M12	222	235	156	57	0.54
10	4320	5/8	10 7/8	11 1/2	7 3/4	2 1/2	2.3
250	19217	M16	276	292	184	64	1.04

DIMENSIONS	TEMPERATURE	LOADS	WEIGHT
INCHES	FAHRENHEIT	POUNDS	POUNDS
MILLIMETERS	CELSIUS	NEWTONS	KILOGRAMS