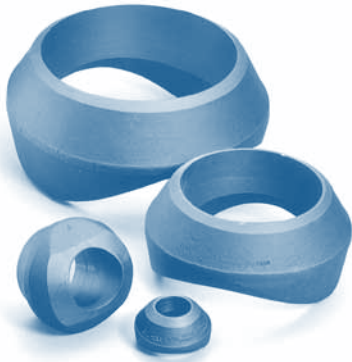
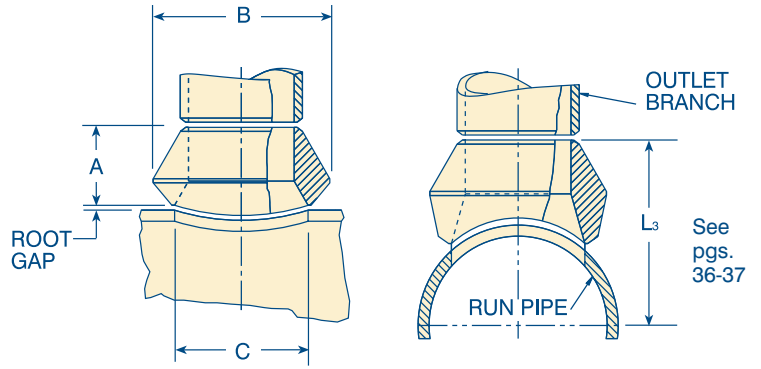


Reducing and Flat Size

Schedule 160 & Double Extra Strong

Run and Branch

Forged



Outlet Size Inches	Dimensions			Appx. Weight Pounds
	A	B	C	
1/2	1-1/8	1-3/8	9/16	.25
3/4	1-1/4	1-3/4	3/4	.70
1	1-1/2	2	1	.85
1-1/4	1-3/4	2-7/16	1-5/16	1.25
1-1/2	2	2-3/4	1-1/2	1.75
2	2-3/16	3-3/16	1-11/16	2.15
2-1/2	2-7/16	3-13/16	2-1/8	3.40
3	2-7/8	4-3/4	2-7/8	6.30
4	3-5/16	6	3-7/8	10.50
5	3-11/16	7-3/8	4-13/16	14.25
6	4-1/8	8-11/16	5-3/4	28.00
8	<p>For dimensions see Heavy Wall Weldolet, page 14.</p> <p>Larger outlet sizes available on application.</p>			
10				
12				
14				
16				
18				
24				

See footnotes at bottom of page 13.