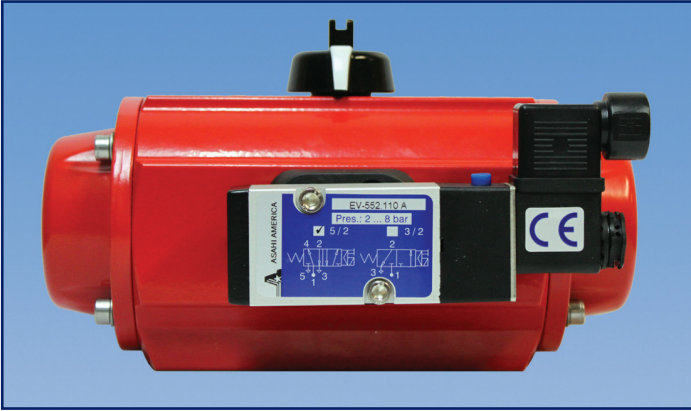


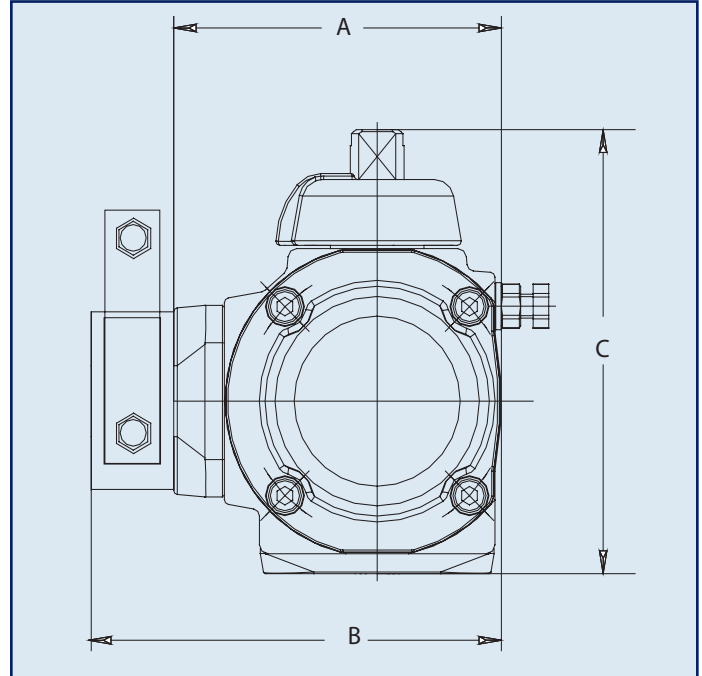
P-Series General Purpose Solenoid



P-Series General Purpose (IP65) NAMUR Mount Solenoid

Standard Features

- Anodized aluminum body
- IP-65 protection
- NAMUR mount
- Stainless steel trim
- 1/4" FNPT air connection
- Combination three-way/four-way
- 1/2" FNPT conduit entry
- Manual override
- Speed controls
- Mufflers



Dimensions (in.)

Model No.	A	B	C
A79PA	2.99	8.70	3.5
B79PA	3.31	9.57	4.37
B579PA	4.02	10.24	5.04
C79P	4.09	10.39	5.20
C579PA	4.69	11.02	5.83
D79PA	5.04	11.34	6.14
D579PA	6.06	12.44	7.24
E79PA	6.97	14.09	8.31
F79P	8.90	16.50	10.71
G79P	10.16	18.27	12.48
L79P	15.86	17.64	16.85
M79P	15.87	22.05	16.85