

CertainTeed

# ***FLINTLASTIC<sup>®</sup> SA***

Self-Adhering Roof Systems for Low Slope Residential Roofs



**CertainTeed**  
SAINT-GOBAIN



**Goes down fast. Stays on strong.  
Flintlastic® SA performs in all the right ways.**

What's more important to you? Speed of installation, durability or appearance? The Flintlastic SA (self-adhering) SBS modified bitumen low slope roofing system is a premium performer in all these areas.

**What is the SA system?**

With high-quality materials bottom to top, components of the Flintlastic SA system for residential tie-ins include:

- Flintlastic® SA NailBase (mechanically attached)
- Flintlastic® SA Mid Ply (self-adhering)
- Flintlastic® SA Cap (self-adhering)
- Flintlastic® SA Cap FR (fire-rated, self-adhering)

**What are the advantages?**

No torches, no hot asphalt, no fumes and no mess — all of which means application is much cleaner and faster. Plus, equipment needs are minimal. These advantages are even more amazing considering the long system life you can expect.

**Where can I use it?**

Flintlastic SA is ideal for low-slope roofs, such as porches, garages or carports. However, more robust systems are also available for larger low-sloped roofs.

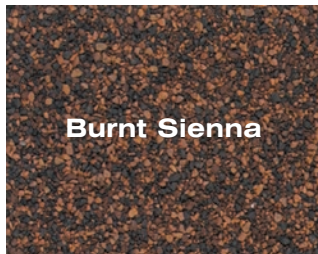
**What about colors?**

Now you can color coordinate a low slope roof to an adjacent shingle roof. Flintlastic SA is available in colors to complement the most popular CertainTeed shingles. Please refer to the *CertainTeed Commercial Roof Systems Manual* for product data sheets and complete specification details. Product application must comply with CertainTeed installation instructions.

**The Flintlastic SA Family of Products**

FlintPrime™ asphalt primer is recommended for use when adhering to metal and masonry. Material is available in 17-oz spray cans.

FlintBond™ SBS Modified Bitumen Adhesive is a premium grade adhesive. With Flintlastic SA membranes, the trowel and caulk grades are used for endlap, sidelap bead and vertical flashing details. Available in 3.5-gallon buckets, 5-gallon pails and 10.3-oz caulk tubes.



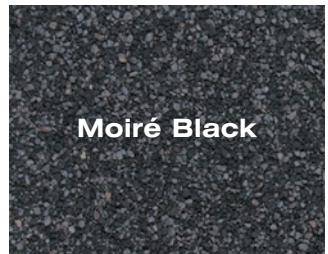
**Burnt Sienna**



**Colonial Slate**



**Heather Blend**



**Moiré Black**



**Resawn Shake**



**Weathered Wood**



**White**



**CoolStar™**



Every professional roofer is familiar with the tools needed to complete a roof installation, but just as a recap, specific tools you'll need to install Flintlastic SA include:

- A weighted roller for pressing the membrane into place.
- Suitable trowel for applying adhesive to flashing details.
- Roofer's knife with hooked blade.
- Caulk gun for applying beads of FlintBond adhesive.
- Hand-held hot air welding gun such as the Leister Triac™ (110 volt power required) or Primus Sievert PNS-4™ Hot Air Kit.
- Seam probing tool to check for small voids.

### Important Application Considerations

- Do not attempt application if ice, snow, moisture or dew are present. Bonding substrates must be clean, dry and free of dust or other inhibitors of proper adhesion. Ambient temperature must be 50°F or above.
- Store Flintlastic SA rolls indoors on pallets, protected from the elements. Rolls that are improperly stored or have been warehoused for prolonged periods of time may lose their tack.
- Do not apply membrane that has been improperly stored, exposed to moisture, or has lost its tack. If the material isn't bonding, STOP the application!
- Always remember to put safety first and follow all OSHA safety guidelines with any roofing installation.
- Substrates must be free of dust, dirt, oil, debris and moisture.
- Primer, if used, must be applied at the specified rate and must be allowed to thoroughly dry.
- Work with manageable lengths of Mid Ply and Cap for the particular job. Where appropriate, cut rolls into 1/3- or 1/2-roll lengths and allow material to relax prior to installation.
- In cooler weather, a hand-held hot air welding gun can be used to warm the sidelap areas and improve adhesion (prior to application of the FlintBond SBS Modified Bitumen Adhesive).
- Use caution with the weighted roller at endlap areas. Don't squeeze out too much adhesive.
- Do not use cold adhesives with Flintlastic SA membranes other than for flashing details and cap sheet overlaps as described herein.

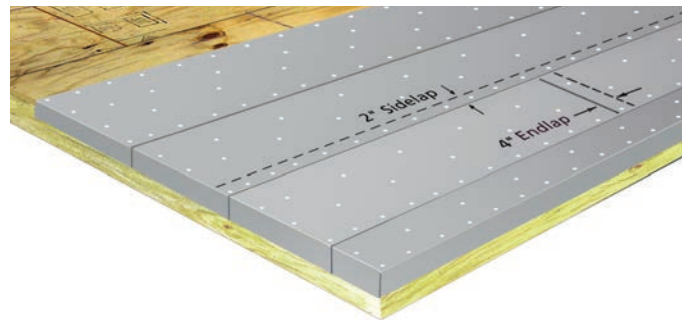
- Refer to the CertainTeed Commercial Roof Systems Manual for complete requirements.
- Do not mix Flintlastic SA membranes with other types of roof membranes. Flintlastic SA membranes are specifically designed to be applied together. The permanent top film of the Mid Ply and NailBase cannot receive torching, hot asphalt or other non self-adhering application methods. The Flintlastic SA Cap (or SA Cap FR) and Mid Ply cannot be applied to any surfaces other than as described herein.
- When applying Flintlastic SA on slopes exceeding 1" in 12", membranes shall be back-nailed. When applied parallel to the slope, Flintlastic SA shall be blind-nailed at end laps 2" in from top edge, 6" o.c. through tin discs and to wood nailers. See "General Requirements" section of the *CertainTeed Commercial Roof Systems Manual* for details.

### Deck Preparation

CertainTeed recommends the use of the mechanically fastened Flintlastic SA NailBase base sheet in conjunction with all self-adhering membrane roof installations. Note that without the use of a base sheet, the membrane may be difficult to later remove (if necessary) and certain UL approvals for the system may not apply. Prior to application of Flintlastic SA products, ensure roofs have positive drainage. Consult the local building official for minimum slope and drainage requirements.

### Application of Flintlastic SA NailBase

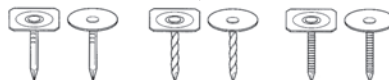
Beginning at the low point of the roof, mechanically fasten Flintlastic SA NailBase to nailable deck using appropriate fasteners (see fasteners chart below).



**Standard (Round Head) Roofing Nails and Cap** (Note: CertainTeed does not permit the use of plastic caps) For use with Base Sheet, Flash/Termination Bar on Plywood Decks, Non Veneer Decks, Wood Plank Decks



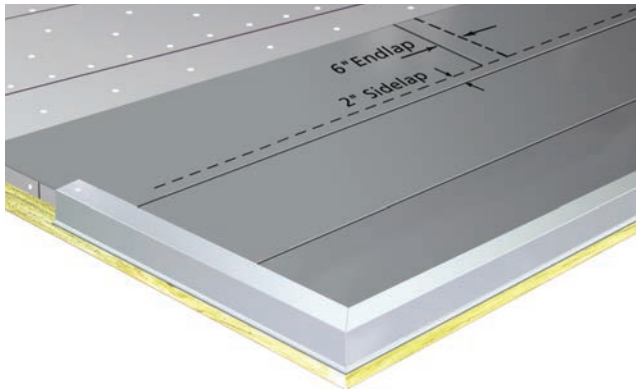
**Large Head Roofing Nails** For use with Base Sheet, Flash/Termination Bar on Plywood Decks, Non Veneer Decks, Wood Plank Decks



Start with an appropriate roll width (1/2 roll) to accommodate offsetting of sidelaps of subsequent layers of Cap sheet. Install so that no sidelaps are against the flow of water. A minimum fastening pattern is every 9" on center on sidelaps and every 18" on center in two staggered rows in the field of the sheet.

**Before Installing Flintlastic SA Cap (or SA Cap FR)**

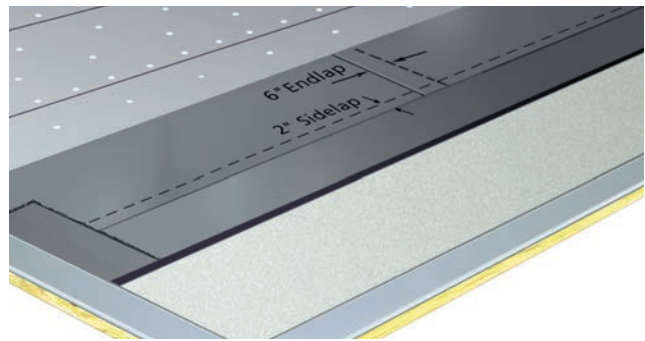
If roof edge detail utilizes edge metal, proceed as follows. Over the Flintlastic SA NailBase, install a 9" wide strip of Mid Ply to that dimension extending 6" onto the field of the roof and flush to the roof edge, self-adhered. Install minimum 26 gauge edge metal using appropriate fasteners, set entirely in a uniform 1/8"-1/4" thick troweling of FlintBond SBS Modified Bitumen Adhesive, trowel grade. Remove any oil from the metal surface using a vinegar and water solution. Prime the horizontal surface of the metal with FlintPrime or FlintPrime SA and allow primer to dry. Apply a bead of caulk grade FlintBond SBS Modified Bitumen Adhesive at the roof side edge of the metal where it meets the Mid Ply strip. Proceed with cap sheet installation.



Similarly, complete your sheet metal flashing installation using cut Mid Ply strips at all flashing details prior to flashing application. Seal edges of Mid Ply flashing strips with a bead of FlintBond. See "Typical Construction Details," pages 6-7, for examples. All cap sheet flashings installed to transitions that overlap onto mineral surface must be set in a uniform troweling of FlintBond trowel grade adhesive.

**Application of Flintlastic SA Cap (or SA Cap FR)**

Before installing Flintlastic SA Cap (or SA Cap FR), sweep the surface of the installed SA NailBase clean. To install Flintlastic SA Cap (or SA Cap FR), start at the low point of the roof with an appropriate roll width to offset sidelaps from the underlying membrane a minimum of 18". Work with manageable lengths for proper handling.



Position SA Cap (or SA Cap FR) with selvage edge release strip at high side of roof. Install in weather-lapped fashion, with no laps against the flow of water.



Once positioned, lift and fold back (lengthwise) the lower half of the membrane. Remove the split release film and press firmly into place. Then repeat with the other half of the membrane (high side of the roof).



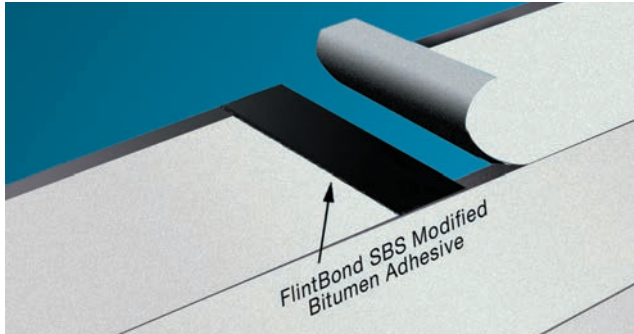
Overlap sidelaps 3" and endlaps 6". Use a weighted roller over the entire surface of Flintlastic SA Cap (or SA Cap FR) to secure it in place and prevent voids, working outward from the center of the sheet.

As subsequent membrane lengths are installed, remove the selvage edge release strip just prior to overlapping to keep the adhesive area protected and clean. Cut endlaps at opposing diagonal corners at an angle approximately 3" from the corners to minimize T-seams.



Use FlintBond SBS Modified Bitumen Adhesive, trowel grade, on the entire 6" width of each endlap prior to overlapping. Apply a uniform 1/8"-1/4" troweling of the FlintBond on the entire width of the endlaps to the underlying membrane. Install the overlapping sheet. Always apply FlintBond (extend beyond underlying lap minimum 1/4") on the entire width of any overlap when applying SA Cap (or SA Cap FR) over another mineral surface such as the SA Cap (or SA Cap FR) endlap.

At all vertical and other flashing points, apply FlintBond SBS Modified Bitumen Adhesive, trowel grade, wherever there is an overlap onto mineral surfacing.



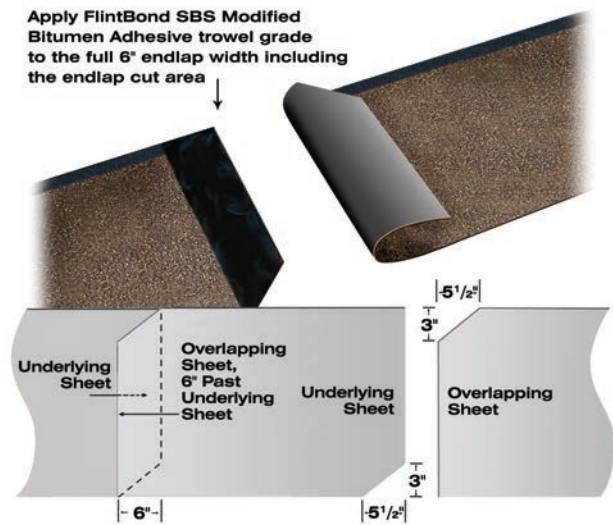
Once the membrane has had a chance to bond, check all laps and joints for full adhesion. If the membrane can be lifted at any area it is not properly adhered. A seam probing tool can be helpful to check for small voids at laps. If necessary, use appropriate hand-held hot air welding tool and seam roller or an application of FlintBond to seal small unbonded areas if they exist.

### 3-Ply Applications and Large Commercial Roofs

To find out more about 3-Ply applications of Flintlastic SA and large commercial roof installations, please refer to Comm-123 *Flintlastic SA Self-Adhering SBS Modified Bitumen Roof Systems* or visit our website at [www.CertainTeed.com/LowSlopeTechInfo](http://www.CertainTeed.com/LowSlopeTechInfo).

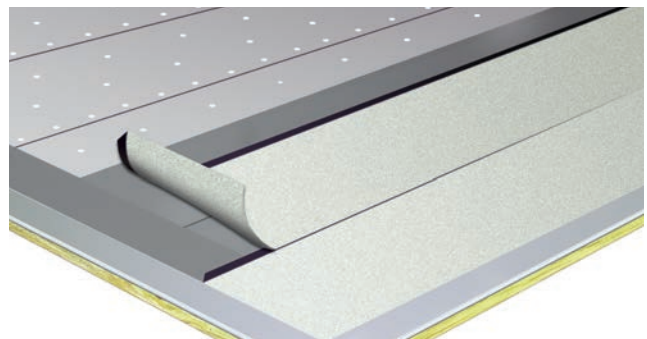
### The Proper T-Seam Detail

- Before adhering Flintlastic SA Cap (or SA Cap FR) endlaps, trim the underlying sheet's lower outside corner at the end of the roll.
- Follow with the overlapping sheet, trimming the upper outside corner.
- Corners should be trimmed on a diagonal angle 5-1/2" long from end of roll to outside edge.
- Width of trim should be equal in width to the sidelap specified (3" for Flintlastic SA Cap [or SA Cap FR]).
- Trimmed corners should be completely covered by application of succeeding courses.
- Note: If using Flintlastic SA Mid Ply (or PlyBase), apply quarter-size dab of FlintBond at T-seam area. If using Flintlastic SA Cap (or SA Cap FR), the endlap should be completely set in trowel grade FlintBond along the entire 6" lap width.



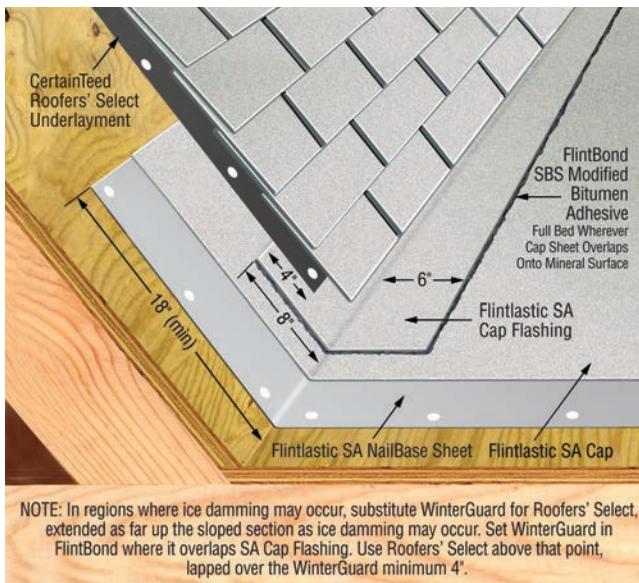
### Rake Edge Detail

- Cut selvage area at an angle at all rake edges.
- Apply a bead of FlintBond caulk along cut edge to eliminate mole holes.

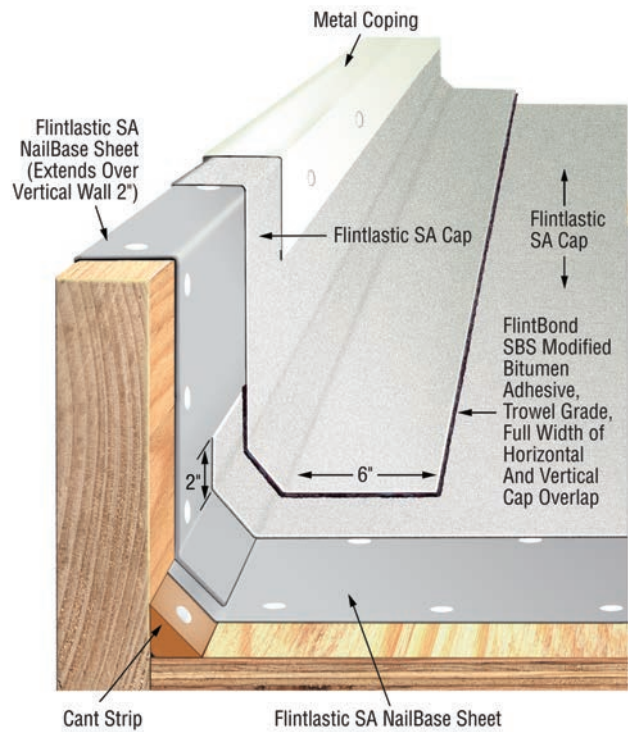


# Typical Construction Details - Flintlastic SA 2-Ply System

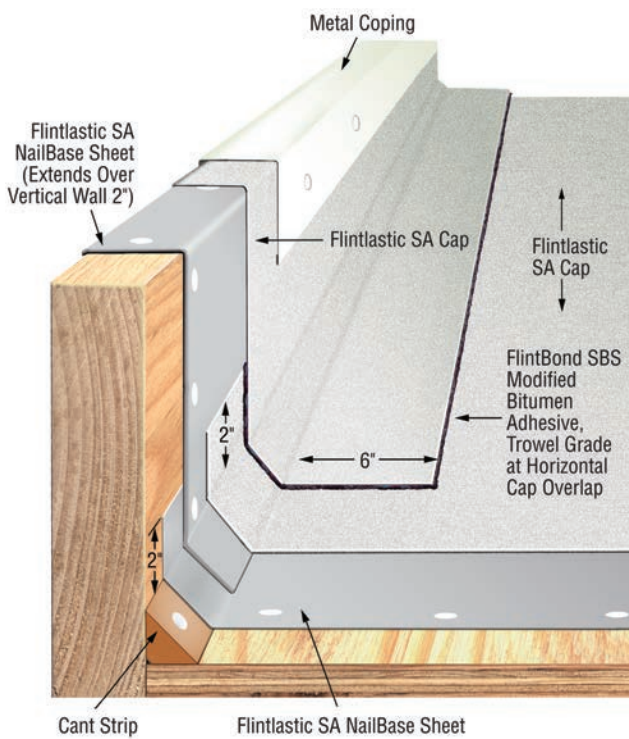
## Shingle Transition



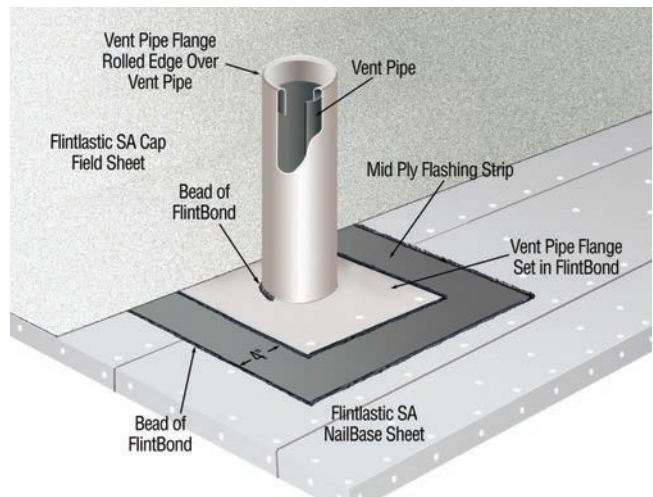
## Parapet Wall



## Alternate Parapet Wall

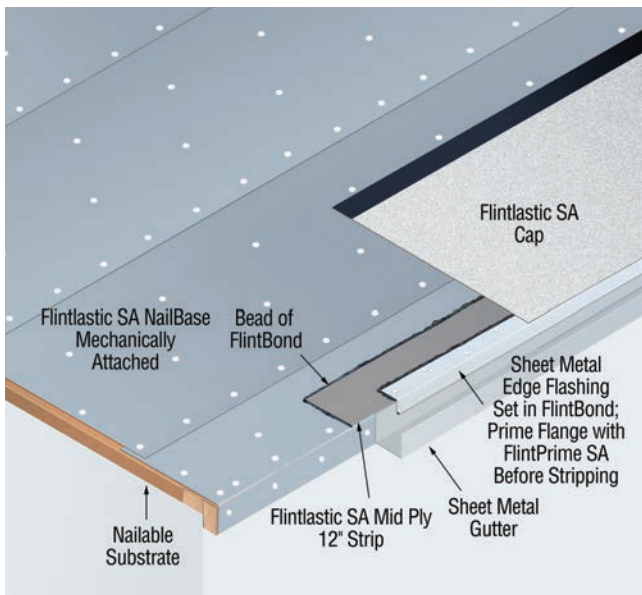


## Vent Pipe Collar Detail

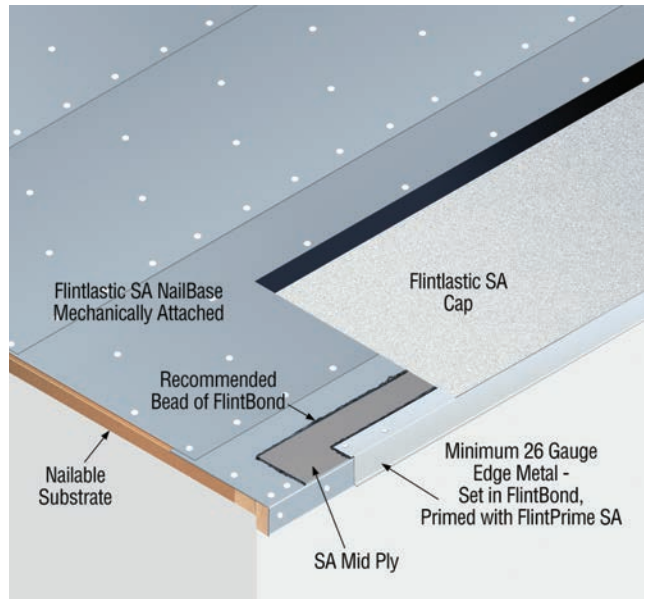


# Typical Construction Details - Flintlastic SA 2-Ply System

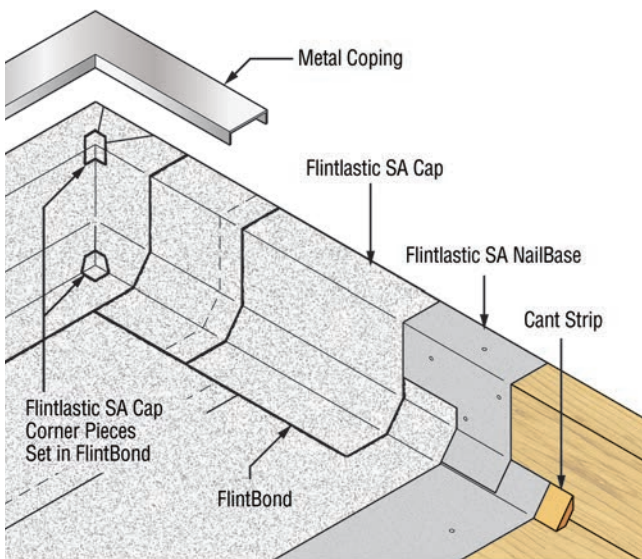
**Rain Gutter Edge Detail**



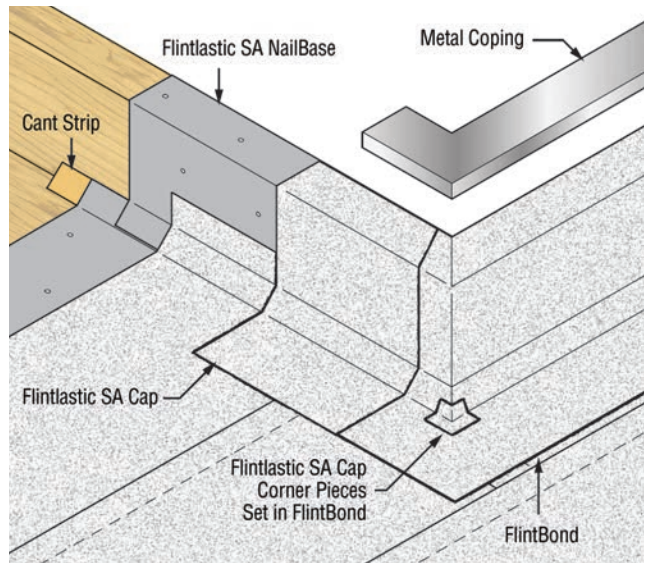
**Edge Detail**



**Inside Corner**



**Outside Corner**





After more than a century of making roofing materials that really last, CertainTeed stands strong. In fact, we're rated #1 with America's building and remodeling professionals.

So whether you have a residential or commercial project, you can turn to CertainTeed with confidence. We've been around a long time, and our expertise goes into giving you better products.

We manufacture complete systems and protect you with strong warranties. We use the highest quality materials, and that makes for better roofs — not to mention lower life-cycle costs. It's all a part of our promise to you.

Quality made certain. Satisfaction guaranteed.™

For more information on CertainTeed Commercial Roofing Products, go to [www.certainteed.com](http://www.certainteed.com) or to register, visit [ctndl.com](http://ctndl.com).

Caution: CertainTeed Flintlastic roofing products are intended for use by professional roofing contractors only. It is the responsibility of the installer to follow all appropriate and required safety precautions in conjunction with the installation of any CertainTeed roofing product.

Meets or exceeds ASTM D6164 (SA Mid Ply and SA Cap), ASTM D6163 (SA Cap FR) and ASTM D4601 (SA NailBase and PlyBase).



UL 2218 Class 4 Impact Resistance – Certain systems are UL classified as to impact resistance as described in the UL Roofing Materials and Systems Directory.



ICC-ES ESR-1388

#### ASK ABOUT ALL OF OUR OTHER CERTAINTEED® PRODUCTS AND SYSTEMS:

ROOFING • SIDING • TRIM • DECKING • RAILING • FENCE • FOUNDATIONS  
GYPSUM • CEILINGS • INSULATION • PIPE

[www.certainteed.com](http://www.certainteed.com) <http://blog.certainteed.com>

CertainTeed Corporation  
P.O. Box 860  
Valley Forge, PA 19482

Professional: 800-233-8990  
Consumer: 800-782-8777

© 12/12 CertainTeed Corporation, Printed in U.S.A.  
Code No. 20-20-3395

