

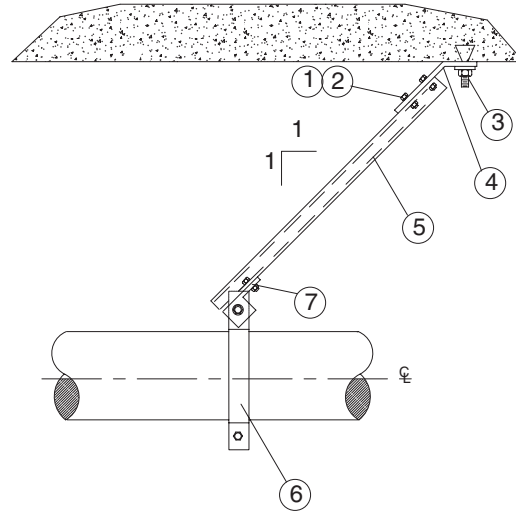
MULTI-STRUT®

SEISMIC BRACING

DETAIL SR-13

Item No.	No. Req'd.	Fig No. Part No.	Description
1	3		Bolt*
2	3	SN	Strut Nut*
3	1	KB	Wedge Anchor*
4	1	3HSB	Seismic Bracket
5	1	MXXX	Multi-Strut Channel*
6	1	175	Pipe Clamp*
7	1	A321	Angle Connector*

*Size based upon application.



DETAIL SR-14

Item No.	No. Req'd.	Fig No. Part No.	Description
1	2	SN	Strut Nut
2	2	165H	Heavy Hex Nut
3	1	KB	Wedge Anchor*
4	1	SH300	Seismic Bracket
5	1		Angle Iron*
6	1	175	Pipe Clamp*

*Size based upon application.

