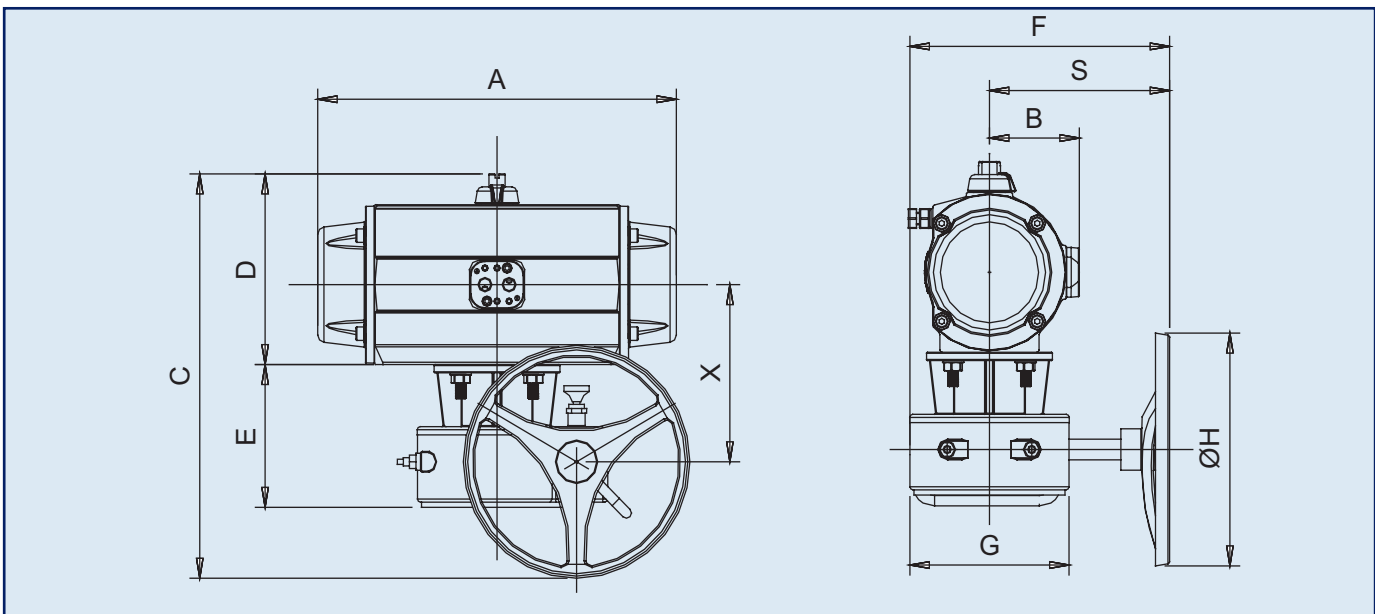


Declutchable Manual Override for Series 79P



Standard Features:

- Output torque range of 1,100 in./lbs. through 65,938 in./lbs.
- Polyester coating
- End position travel stop
- ISO mounting
- Direct mount



Dimensions (in.)

ACTUATOR	GEARBOX	A		B	C	D	E	F	G	S	H	X
		S.R.	D.A.									
B79PA	RD-415	5.98		2.05	11.73	4.37	4.65	9.29	4.65	6.97	5.91	6.10
B579PA	RD-415	7.91		2.45	11.42	5.04	4.65	9.29	4.65	6.97	5.91	5.35
C79PA	RD-415	8.82		2.48	11.57	5.20	4.65	9.29	4.65	6.97	5.91	5.47
C579PA	RD-415	10.39		2.80	12.20	5.83	4.65	9.29	4.65	6.97	5.91	5.79
D79PA	RD-420	12.20		2.95	13.66	6.14	4.80	9.49	5.59	6.69	7.87	6.10
D579PA	RD-330	14.02		3.50	16.69	7.24	5.71	14.61	7.67	11.02	11.81	6.57
E79PA	RD-330	16.85		3.82	17.32	7.91	5.71	14.61	7.67	11.02	11.81	6.93
F79P	RD-345	23.54	17.48	4.72	22.48	10.71	6.42	15.56	8.74	11.18	15.75	8.46
G79P	RD-350	27.32	20.63	5.31	28.86	12.32	6.93	19.68	11.06	14.17	23.62	9.96
L79P	RD-360	26.42		6.77	34.41	14.49	7.64	20.28	11.06	14.01	29.53	11.54
M79P	RD-370	29.25		8.50	38.19	16.85	8.62	22.64	13.66	15.31	31.50	13.11