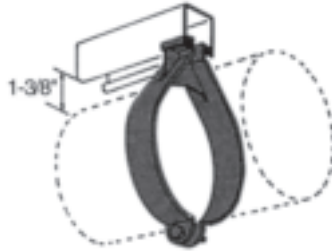


PIPE CLAMPS

C1107 PARALLEL PIPE CLAMP

FINISH: Electro Galvanized (EZN)

ORDERING: Specify Figure Number
and O.D. Size

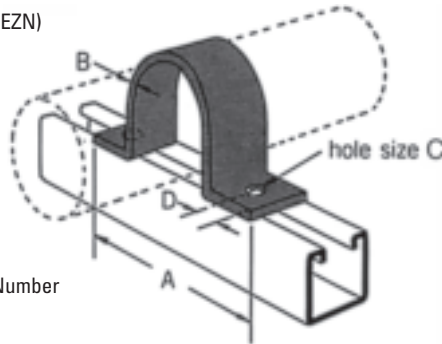


Pipe Size	O.D. Size	Wt. C. Pcs.	Pipe Size	O.D. Size	Wt. C. Pcs.
3/8"	0.675	27	2"	2.375	47
1/2"	0.840	29	2 1/2"	2.875	66
3/4"	1.050	30	3"	3.500	78
1"	1.315	31	3 1/2"	4.000	87
1 1/4"	1.660	38	4"	4.500	90
1 1/2"	1.900	40			

C1108 PIPE STRAPS

FINISH: Electro Galvanized (EZN)

ORDERING: Specify Figure Number
and Pipe Size

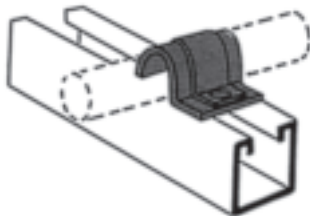


Nom. Pipe Size	A	B	C	D	Wt. C. Pcs.
1/2"	2 7/8"	1/8"	9/32"	7/16"	23
3/4"	3 1/16"	1/8"	9/32"	7/16"	26
1"	3 11/32"	1/8"	9/32"	7/16"	31
1 1/4"	3 11/16"	1/8"	9/32"	7/16"	35
1 1/2"	3 29/32"	1/8"	9/32"	7/16"	39
2"	5 21/32"	1/4"	13/32"	13/16"	94
2 1/2"	6 5/32"	1/4"	13/32"	13/16"	114
3"	6 25/32"	1/4"	13/32"	13/16"	133
3 1/2"	7 9/32"	1/4"	13/32"	13/16"	152
4"	7 25/32"	1/4"	13/32"	13/16"	176
5"	7 21/32"	1/4"	13/32"	13/16"	198
6"	9 29/32"	1/4"	13/32"	13/16"	246

C1109 ONE HOLE TUBING CLAMP

Finish: Electro Galvanized (EZN)

ORDERING: Specify Figure Number
and Pipe Size



O. D. Size	Steel Ga.	Wt. C. Pcs.	Std. Pkg.
1/4"	16	4	100
5/16"	16	5	100
3/8"	16	5	100
1/2"	16	6	100
5/8"	14	8	100
3/4"	14	9	100
7/8"	14	10	50
1"	14	11	50