



## Type-56D/75D Butterfly Valve

### Standard Features (Sizes 16" - 24")

- Standard model 16" - 24" has PDCPD body with PP disc
- 403 stainless steel shaft has full engagement over the entire length of the disc and is a non-wetted part, totally isolated from the media
- Higher pressure rating than standard 56 or 75 110psi at 70° F - All sizes 16"- 24"
- Seat overtightening protection
- Disc and seat only wetted parts
- Bubble-tight sealing
- ISO bolt circle on top flange – No body or stem modifications required for accessories

### Options

- Pneumatically and electrically actuated with accessories
- Alternate disc: PVDF
- Stems in 316 stainless steel, titanium, Hastelloy C<sup>®</sup> †
- 2" square nut on gear operator
- Stem extensions (single stem and two-piece stem)
- Locking devices
- Chain operators
- Manual limit switch - Asahi P-Series

### Specifications

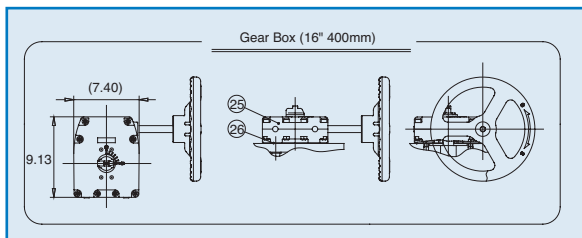
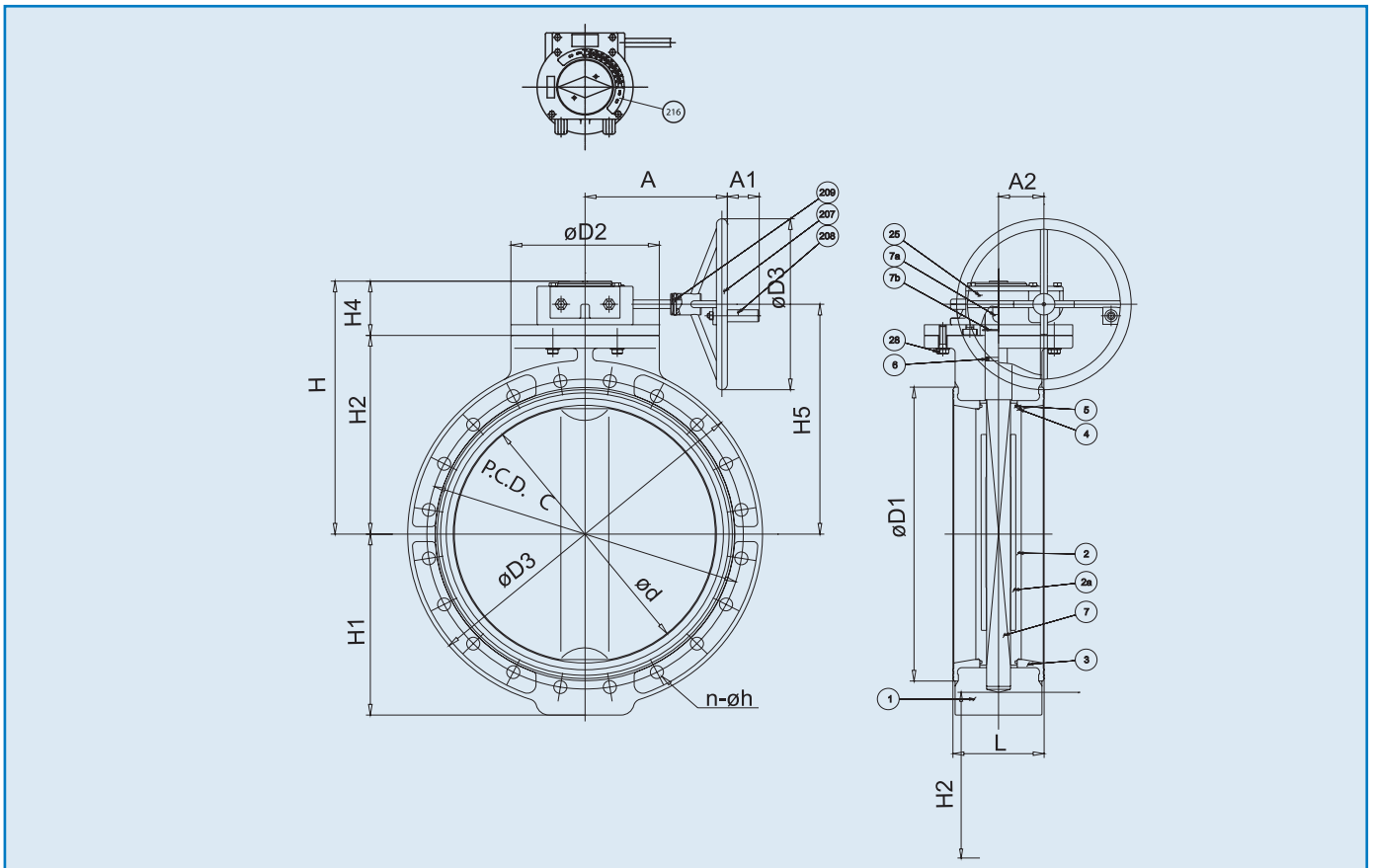
|                   |   |
|-------------------|---|
| <b>Sizes:</b>     | Gear: 16" - 24"   |
| <b>Models:</b>    | Wafer Style   |
| <b>Operators:</b> | Gear  |
| <b>Bodies:</b>    | PDCPD   |
| <b>Discs:</b>     | PP and PVDF   |
| <b>Seats:</b>     | EPDM or FKM, also Nitrile,  |
| <b>Seals:</b>     | Same as seating material  |
| <b>Stems:</b>     | 403 and 316 stainless steel, Titanium, Hastelloy C <sup>®</sup> † |

† Trademark of Cabot Corporation

### Parts List

| PARTS |              |      |                             |
|-------|--------------|------|-----------------------------|
| NO.   | DESCRIPTION  | PCS. | MATERIAL                    |
| 1     | Body         | 1    | PP, PVDF                    |
| 2     | Disc         | 1    | PP, PVDF                    |
| 2a    | Disc Insert  | 1    | AC4C                        |
| 3     | Seat         | 1    | EPDM, FKM, Others           |
| 4     | O-Ring ( A ) | 2    | EPDM, FKM, Others           |
| 5     | O-Ring ( B ) | 2    | EPDM, FKM, Others           |
| 6     | O-Ring ( C ) | 1    | EPDM, FKM, Others           |
| 7     | Stem         | 1    | Stainless Steel, (SUS 403)  |
| 7a    | Key (A)      | 1    | Carbon Steel (S45C)         |
| 7b    | Snap Ring    | 1    | Stainless Steel (SUS 304)   |
| 25    | Gear Box     | 1    | 16" - Plasgear™             |
|       |              |      | 18" - 24" Cast Iron (FC250) |
| 26    | Gasket ( A ) | 1    | EPDM                        |
| 28    | Bolt ( C )   | 4    | Stainless Steel (SUS 304)   |
| 207   | Handle ( C ) | 1    | Cast Iron (FC250)           |
| 208   | Handle Grip  | 1    | Nylon, Etc.                 |
| 209   | Spring Pin   | 1    | Stainless Steel (SUS 304)   |
| 216   | Scale Plate  | 1    | Stainless Steel (SUS 304)   |

All solid thermoplastic butterfly valves size 16"- 24" shall be of the lined body design and bubble-tight seal (meeting or exceeding Class VI as defined by American National Standard Institute) with only the liner and disc as wetted parts. Gear operators shall be worm gear design, self-locking Plasgear™ 16", or cast iron with corrosion resistant finish sizes 18", 20" and 24". The disc shall be of solid, abrasion resistant plastic 16", or metal reinforced 18"- 24", have double O-ring seals on top and bottom trunnions of the same material as the valve liner. Liner shall be molded and formed around the body, functioning as gasket seals with convex ring design on each side of the valve for lower bolt tightening torque. Stem shall be of 403 stainless steel, non-wetted and have engagement over the full length of the disc. Valves shall have a molded ISO bolt pattern on top flange for actuator mount. PP conforming to ASTM D4101 Cell Classification PPO210B67272, and PVDF conforming to ASTM D 3222 Cell Classification Type II. All PDCPD body valves shall be rated to 110psi size at 70° F. Butterfly valves shall be wafer style, as manufactured by Asahi/America, Inc.



## Dimensions (Sizes 16" - 24") Note: Gear operated valve is standards 16" - 24" sizes

| NOMINAL SIZE |     | ANSI CLASS 150 |       |    |      |       |       |       |       |      |       |       |       |      |       |       |      |      | Gear Box Model |
|--------------|-----|----------------|-------|----|------|-------|-------|-------|-------|------|-------|-------|-------|------|-------|-------|------|------|----------------|
| INCHES       | mm  | d              | C     | n  | h    | D     | D1    | D2    | D3    | L    | H     | H1    | H2    | H4   | H5    | A     | A1   | A2   |                |
| 16           | 400 | 15.98          | 21.26 | 16 | 1.12 | 24.41 | 18.50 | 9.25  | 11.81 | 6.65 | 18.03 | 12.40 | 13.78 | 4.25 | -     | 10.71 | -    | 3.91 | BRF-243        |
| 18           | 450 | 17.80          | 22.75 | 16 | 1.25 | 26.18 | 20.67 | 13.39 | 15.75 | 7.05 | 19.57 | 13.19 | 14.57 | 5.00 | 17.44 | 12.83 | 2.97 | 4.11 | AB1250N        |
| 20           | 500 | 19.72          | 25.00 | 20 | 1.25 | 28.35 | 22.64 | 13.39 | 15.75 | 7.48 | 20.76 | 14.37 | 15.75 | 5.00 | 18.62 | 12.83 | 2.97 | 4.11 |                |
| 24           | 600 | 23.74          | 29.50 | 20 | 1.38 | 32.01 | 27.01 | 13.39 | 15.75 | 8.23 | 23.31 | 16.69 | 18.31 | 5.00 | 21.18 | 12.83 | 2.97 | 4.11 |                |

The size and shape may differ slightly from this assembly

## Pressure vs. Temperature (psi, water, non-shock)\*

| MODEL | BODY         |         | PDCPD |        |        |        | PDCPD |        |        |        |
|-------|--------------|---------|-------|--------|--------|--------|-------|--------|--------|--------|
|       | DISC         |         | PP    |        |        |        | PVDF  |        |        |        |
|       | NOMINAL SIZE |         | 30° F | 78° F  | 141° F | 176° F | 30° F | 78° F  | 141° F | 176° F |
|       | INCHES       | mm      | 77° F | 140° F | 175° F | 194° F | 77° F | 140° F | 175° F | 210° F |
|       | 16           | 400     | 110   | 90     | 45     | 15     | 110   | 90     | 45     | 30     |
|       | 18-24        | 450-600 | 110   | 90     | 45     | 15     | 110   | 90     | 45     | 30     |

EPDM: Up to 194° F, Others: Up to 210° F.