

MULTI-STRUT®

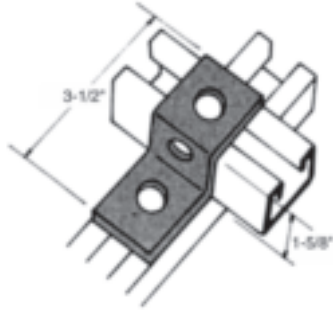
"Z" ANGLE BRACKETS

DATA:

1/4" thick, 1 5/8" wide, holes 9/16" dia., spaced 1 7/8" on center & 1 3/16" from end.

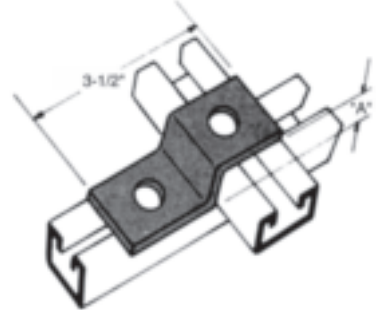
FINISH: Electro-Galvanized

A-322
"Z" ANGLE

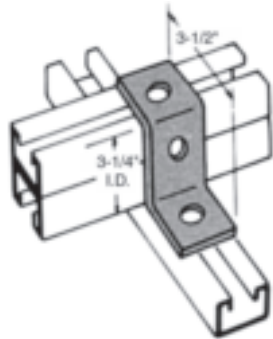


A-323
"Z" ANGLE

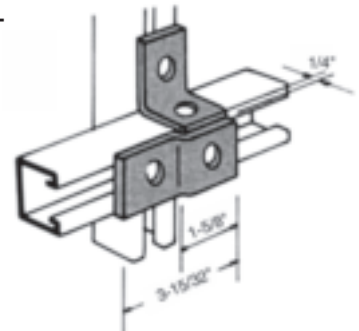
Cat. No.	A
A-323	1"
A-323-22	2 7/16"
A-323-42	1 3/8"
A-323-62	1 3/16"



A-324
"Z" ANGLE

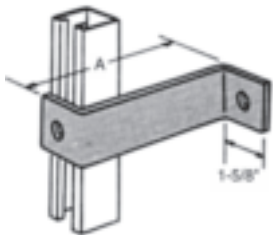


A-325
"Z" ANGLE OFFSET



A-340
"Z" ANGLE

Cat. No.	A
A-340-1	4"
A-340-2	5"
A-340-3	6"
A-340-4	7"
A-340-5	8"



A-341
"Z" ANGLE

