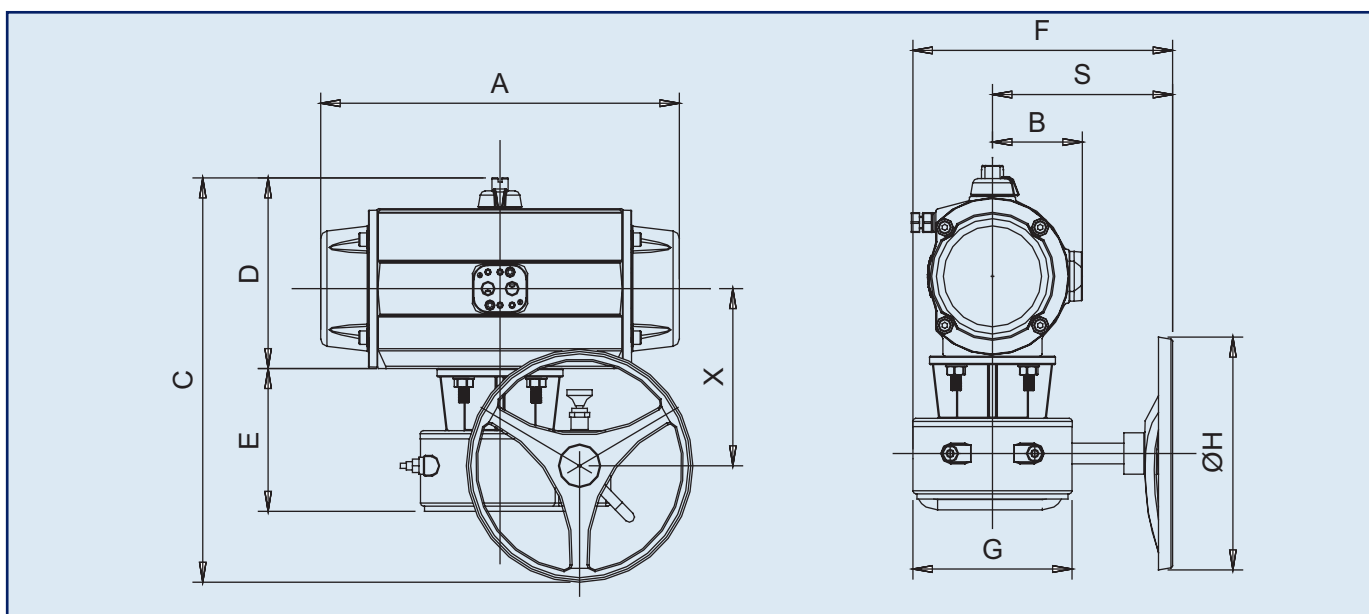


Declutchable Manual Override for Series 79P



Standard Features:

- Output torque range of 1,100 in./lbs. through 65,938 in./lbs.
- Polyester coating
- End position travel stop
- ISO mounting
- Direct mount



Dimensions (in.)

| ACTUATOR | GEARBOX | A | | B | C | D | E | F | G | S | H | X |
|----------|---------|-------|-------|------|-------|-------|------|-------|-------|-------|-------|-------|
| | | S.R. | D.A. | | | | | | | | | |
| B79PA | RD-415 | 5.98 | | 2.05 | 11.73 | 4.37 | 4.65 | 9.29 | 4.65 | 6.97 | 5.91 | 6.10 |
| B579PA | RD-415 | 7.91 | | 2.45 | 11.42 | 5.04 | 4.65 | 9.29 | 4.65 | 6.97 | 5.91 | 5.35 |
| C79PA | RD-415 | 8.82 | | 2.48 | 11.57 | 5.20 | 4.65 | 9.29 | 4.65 | 6.97 | 5.91 | 5.47 |
| C579PA | RD-415 | 10.39 | | 2.80 | 12.20 | 5.83 | 4.65 | 9.29 | 4.65 | 6.97 | 5.91 | 5.79 |
| D79PA | RD-420 | 12.20 | | 2.95 | 13.66 | 6.14 | 4.80 | 9.49 | 5.59 | 6.69 | 7.87 | 6.10 |
| D579PA | RD-330 | 14.02 | | 3.50 | 16.69 | 7.24 | 5.71 | 14.61 | 7.67 | 11.02 | 11.81 | 6.57 |
| E79PA | RD-330 | 16.85 | | 3.82 | 17.32 | 7.91 | 5.71 | 14.61 | 7.67 | 11.02 | 11.81 | 6.93 |
| F79P | RD-345 | 23.54 | 17.48 | 4.72 | 22.48 | 10.71 | 6.42 | 15.56 | 8.74 | 11.18 | 15.75 | 8.46 |
| G79P | RD-350 | 27.32 | 20.63 | 5.31 | 28.86 | 12.32 | 6.93 | 19.68 | 11.06 | 14.17 | 23.62 | 9.96 |
| L79P | RD-360 | 26.42 | | 6.77 | 34.41 | 14.49 | 7.64 | 20.28 | 11.06 | 14.01 | 29.53 | 11.54 |
| M79P | RD-370 | 29.25 | | 8.50 | 38.19 | 16.85 | 8.62 | 22.64 | 13.66 | 15.31 | 31.50 | 13.11 |