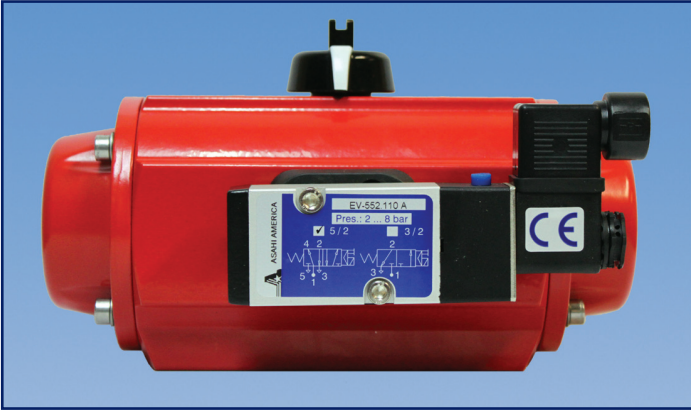


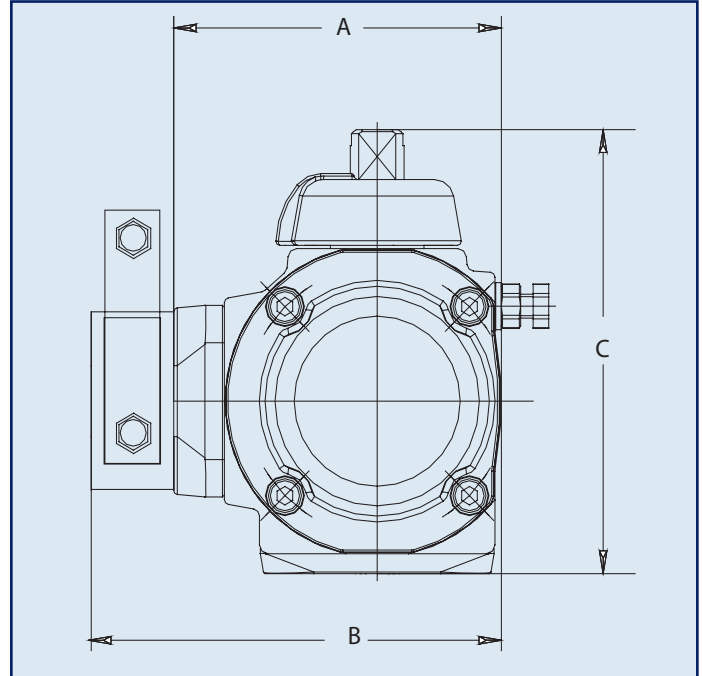
P-Series General Purpose Solenoid



P-Series General Purpose (IP65) NAMUR Mount Solenoid

Standard Features

- Anodized aluminum body
- IP-65 protection
- NAMUR mount
- Stainless steel trim
- 1/4" FNPT air connection
- Combination three-way/four-way
- 1/2" FNPT conduit entry
- Manual override
- Speed controls
- Mufflers



Dimensions (in.)

| Model No. | A | B | C |
|-----------|-------|-------|-------|
| A79PA | 2.99 | 8.70 | 3.5 |
| B79PA | 3.31 | 9.57 | 4.37 |
| B579PA | 4.02 | 10.24 | 5.04 |
| C79P | 4.09 | 10.39 | 5.20 |
| C579PA | 4.69 | 11.02 | 5.83 |
| D79PA | 5.04 | 11.34 | 6.14 |
| D579PA | 6.06 | 12.44 | 7.24 |
| E79PA | 6.97 | 14.09 | 8.31 |
| F79P | 8.90 | 16.50 | 10.71 |
| G79P | 10.16 | 18.27 | 12.48 |
| L79P | 15.86 | 17.64 | 16.85 |
| M79P | 15.87 | 22.05 | 16.85 |