

CertainTeed® Ridge Vent

9" Filtered Shingle-Over Ridge Vent



9" Exposure Ridge Vent

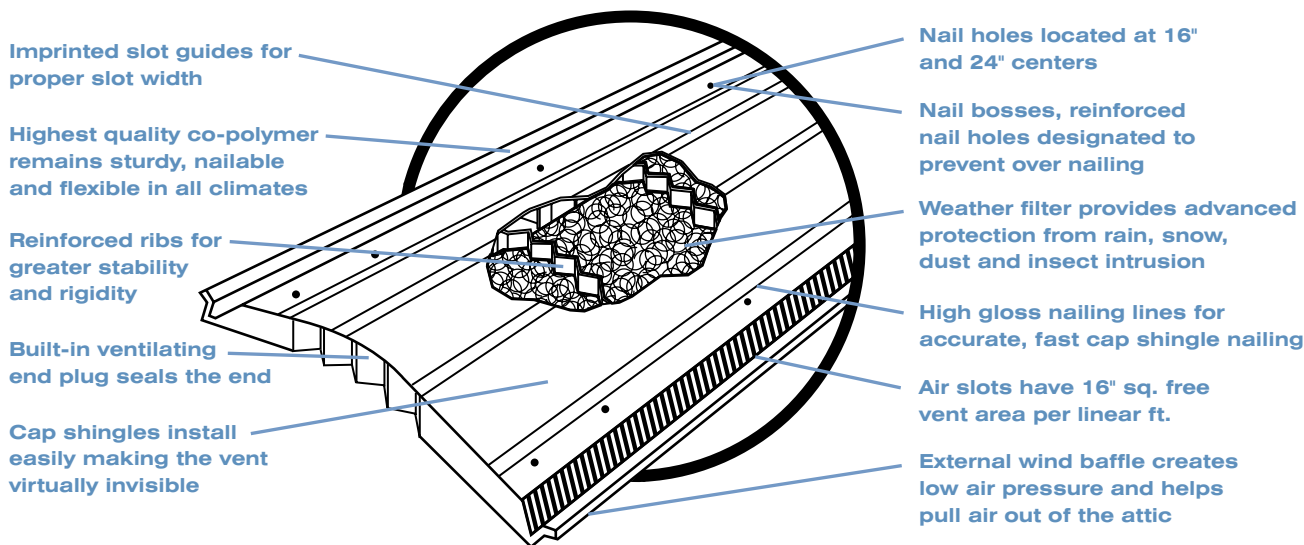
With the same features as CertainTeed® Ridge Vent Filtered, this high-performance ridge vent is 9" wide so it can be used with many enhanced ridge and cap shingles.

CertainTeed Ridge Vents combined with sufficient intake vents, such as CertainTeed Intake Vent, are the most efficient and effective systems you can install.

CertainTeed
SAINT-GOBAIN

CertainTeed® Ridge Vent

Attractive appearance – just 7/8" tall on the ridge – it's virtually invisible from the ground.



Features

- Designed with an external baffle to deflect wind and weather over the vent to help protect the attic from rain and snow infiltration. The external baffle creates low pressure over the vent openings to "pull" air from the attic
- Internal weather filter provides a more complete barrier to help protect the attic from wind-driven rain, snow, dust and insects
- Easy installation – has pre-printed slot guides for truss or ridge pole construction. Pre-drilled nail holes are designed to assure proper nailing
- 16" sq. of net free area per linear foot
- CertainTeed Ridge Vent is pre-formed to a 4/12 pitch, and fits pitches from 3/12 to 12/12
- Limited Lifetime Warranty and 5-Year SureStart™ Protection
- Ten 4' pieces per box / Weight: 19 lbs. / Part #95989 Model #SHFV9CC / Color: Charcoal

Benefits

- Works year-round to ventilate the attic
- Provides evenly distributed ventilation along the entire underside of the roof
- Slim design for visual appeal
- Provides a higher volume of airflow per square foot of attic area than any other fixed-vent system
- Design maximizes airflow across the entire underside of roof sheathing
- Changes in wind direction have no significant effect on vent performance

ShingleVent II-9 is Manufactured for CertainTeed Corporation by Air Vent, Inc., Orrick, MO.



ASK ABOUT ALL OF OUR OTHER CERTAINTEED® PRODUCTS AND SYSTEMS:

ROOFING • SIDING • TRIM • DECKING • RAILING • FENCE • FOUNDATIONS
GYPSUM • CEILINGS • INSULATION • PIPE

www.certainteed.com <http://blog.certainteed.com>

CertainTeed Corporation
P.O. Box 860
Valley Forge, PA 19482

Professional: 800-233-8990
Consumer: 800-782-8777

© 10/13 CertainTeed Corporation, Printed in the U.S.A.
Code No. 20-20-3461