

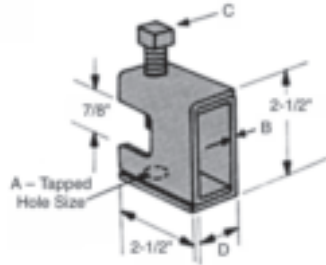
MULTI-STRUT®

BEAM CLAMPS

DATA:
 1/4" thick, 1 5/8" wide, holes 9/16" dia.,
 spaced 1 7/8" on center & 1 3/16" from end.

FINISH: Electro-Galvanized

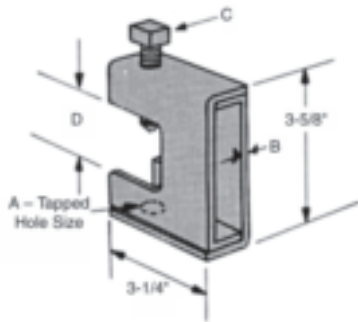
C-410 BEAM CLAMP



Cat. No.	A	B	C	D	Wt. Lbs./C
C-410-1	1/4"-20	1/8"	3/8" x 1 1/2"	7/8"	67
C-410-2	5/16" - 18	1/8"	3/8" x 1 1/2"	7/8"	67
C-410-3	3/8" - 16	1/8"	3/8" x 1 1/2"	7/8"	67
C-410-4	3/8" - 16	3/16"	1/2" x 1 1/2"	1 5/16"	100
C-410-5	1/2" - 13	3/16"	1/2" x 1 1/2"	1 5/16"	100
C-410-6	1/2" - 13	1/4"	1/2" x 1 1/2"	1 5/16"	130
C-410-7	5/8" - 11	1/4"	1/2" x 1 1/2"	1 5/16"	130
C-410-8	5/8" - 11	5/16"	5/8" x 1 1/2"	1 15/16"	160
C-410-9	3/4" - 10	5/16"	5/8" x 1 1/2"	1 15/16"	160

FOR BEAMS UNDER 1/8" THICK FLANGE.

C-411 BEAM CLAMP



Cat. No.	A	B	C	D	Wt. Lbs./C
C-411-1	1/4" - 20	1/8"	3/8" x 2"	1 21/32"	109
C-411-2	3/8" - 16	3/16"	1/2" x 2"	1 11/16"	156
C-411-3	1/2" - 13	1/4"	1/2" x 2"	1 11/16"	201

FOR BEAMS BETWEEN 3/4" TO 1 5/8" THICK FLANGES.

C-412 COLUMN BEAM CLAMP

- Note:
 1. Use only with M-132,
 M-134
 2. Sold only in pairs

