

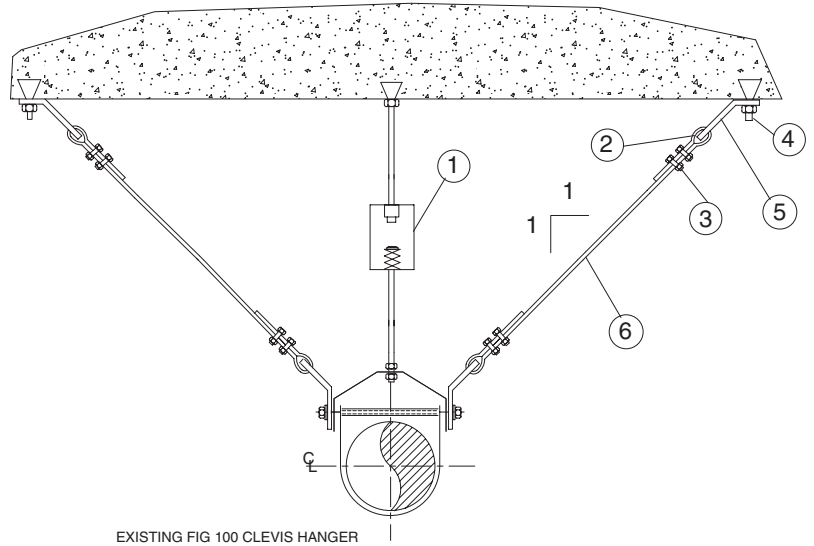
# MULTI-STRUT®

## SEISMIC BRACING

### DETAIL SR-1

Item No.	No. Req'd.	Fig No. Part No.	Description
1	1		Vibration Isolator*
2	4	WRT	Rope Thimble
3	8	SCC	Cable Clamp*
4	2	KB	Wedge Anchor*
5	4	3HSB	Seismic Bracket*
6	2	GAC	Galvanized Cable*

\*Size based upon application.



### DETAIL SR-2

Item No.	No. Req'd.	Fig No. Part No.	Description
1	4	WRT	Rope Thimble
2	8	SCC	Cable Clamp*
3	2	KB	Wedge Anchor*
4	4	3HSB	Seismic Bracket*
5	2	GAC	Galvanized Cable*
6	2	C402	Beam Clamp
7	1	M132	Multi-Strut Channel

\*Size based upon application.

