



Exit Device Types

10 Series - Wide Stile Rim Device

10xW Series - Weatherized Wide Stile Rim Device

20 Series - Wide Stile Surface Vertical Rod

20xW Series - Weatherized Wide Stile Surface Vertical Rod

21 Series - Wide Stile Surface Vertical Rod - Top Rod Only

21xW Series - Weatherized Wide Stile Surface Vertical Rod - Top Rod Only

27 Series - High Security Relatching Surface Vertical Rod Device

30 Series - Mortise Lock Exit Device

40 Series - Narrow Stile Rim Device

40xW Series - Weatherized Narrow Stile Rim Device

50 Series - Narrow Stile Surface Vertical Rod

50xW Series - Weatherized Narrow Stile Surface Vertical Rod

51 Series - Narrow Stile Surface Vertical Rod - Top Rod Only

51xW Series - Weatherized Narrow Stile Surface Vertical Rod - Top Rod Only

60 Series - Narrow Stile Concealed Vertical Rod for Aluminum Doors

61 Series - Narrow Stile Concealed Vertical Rod for Aluminum Doors - Top Rod Only

62 Series - Narrow Stile Concealed Vertical Rod for Hollow Metal Doors

63 Series - Narrow Stile Concealed Vertical Rod for Hollow Metal Doors - Top Rod Only

70 Series - Wide Stile Concealed Vertical Rod for Wood Doors

71 Series - Wide Stile Concealed Vertical Rod for Wood Doors - Top Rod Only

80 Series - Wide Stile Concealed Vertical Rod for Hollow Metal Doors

81 Series - Wide Stile Concealed Vertical Rod for Hollow Metal Doors - Top Rod Only

82 Series - Wide Stile Concealed Vertical Rod for Aluminum Doors

83 Series - Wide Stile Concealed Vertical Rod for Aluminum Doors - Top Rod Only

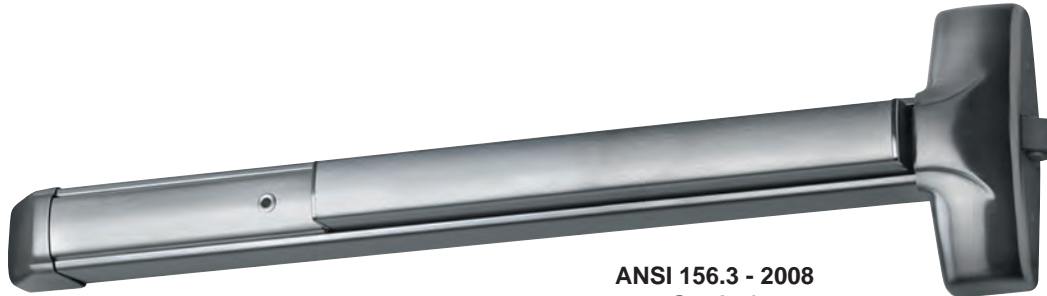
87 Series - High Security Relatching Concealed Vertical Rod Device



10 SERIES

Rim Exit Device

The 10 Series **rim exit device** is super-heavy-duty panic and **fire exit hardware** for use on all types of single and double doors with mullions. The patented mounting plate and strike locator system ensures the easiest and most accurate installation of panic hardware available.



ANSI 156.3 - 2008
Grade 1
Type 1

Benefits

- Tough and durable design for years of trouble-free service in high-use, high-abuse environments
- Fast and accurate installation
- Minimal door prep saves time and money
- Outside trims are easily changed or re-keyed without removing device from door

Features

- Patented mounting plate and strike locator system replaces paper templates
- Tested beyond 1,000,000 cycles - Twice the cycling required for Grade 1 UL testing
- Heavy-duty angled end-cap deflects damage away from device
- Stainless steel deadlocking, Pullman-type latch bolt
- All exposed surfaces are finished over stainless steel with PVD, an environmentally-friendly finishing process
- Non-handed
- Field sizeable
- 1/8 turn hex or cylinder dogging

Mechanical Options

- F - 3-Hour Fire Rated
- H - Hurricane Rated
- AM - Anti-Microbial Coating
- BP-3 Mounting plate (call factory for retrofit information)
- BP-5 Mounting Plate (call factory for retrofit information)
- SLR - Silencer
- CD - Cylinder Dogging
- HD - Hex Dogging (Std.)
- LD - Less Dogging
- EC1, EC2 - See Advantex 10xW
- 99 - Surface Strike (Std.)
- 98 - Semi Mortise Strike
- 36 - Fits 36" Door Width (Std.)
- 48 - Fits 48" Door Width

Electrical Options

- Exit Alarm (EA)
 - Electric Dogging (ED)
 - Electric Integration (EI)
 - Electric Latch Retraction (ER)
 - Delayed Egress - Self Contained (EE)
 - Delayed Egress with Latch Retraction (EEExER)
 - Delayed Egress - Mag Lock (EM)
 - Electric Unlock (EU)
 - Latch Bolt Signaling (LX)
 - Latch Bolt Signaling for High Voltage (LXV)
 - Electric Switching (ES)
 - Request to Exit (EX)
 - Request to Exit for High Voltage (EXV)
 - Request to Exit Weatherized (EXxW)
 - Request to Exit Weatherized for High Voltage (EXVxW)
- Refer to Electrified Options section for more information



Accessories

- GB1 - Glass Bead Kit
- SN1 - Sex Nut Kit (2 per package)
- SSK - Security Torx Screw Kit
- Trim Functions (see Outside Trims)
- Electrified Options (see Electrified Options)

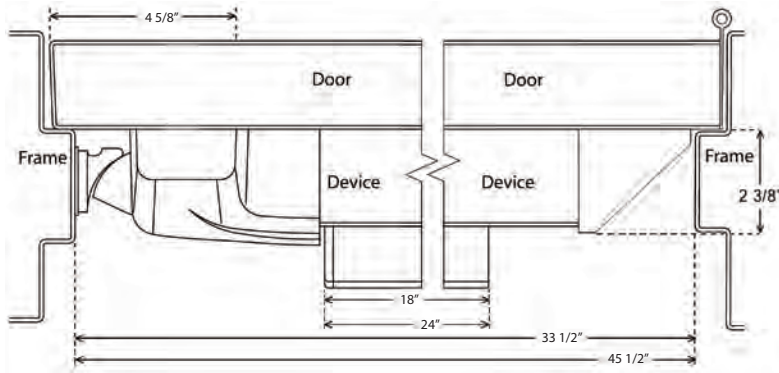
Technical Information

- Door Types - Wood, Hollow Metal, Fiberglass or Aluminum
- Door Thickness - Fits standard 1-3/4" - 2-1/4" doors (for other door thicknesses contact factory)
- Minimum Stile - 4-5/8" with standard 99 strike; 4-1/8" with optional 98 strike
- Fasteners - Machine and Self-Drilling Screws standard

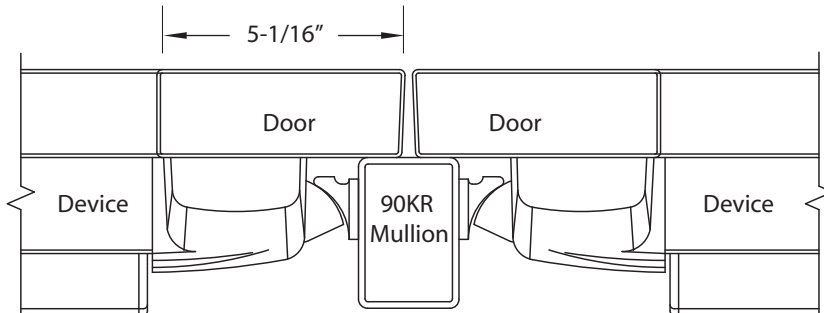
Finishes

605 / US3	Polished Brass	628 / US28	Aluminum Satin	693 / SPBLK	Black, Painted
606 / US4	Brushed Brass	629 / US32	Polished Stainless Steel	695 / SP 313	Dark Bronze, Painted
611 / US9	Polished Bronze				
612 / US10	Brushed Bronze	630 / US32D	Brushed Stainless Steel		
613 / US10B	Oil Rubbed Bronze				

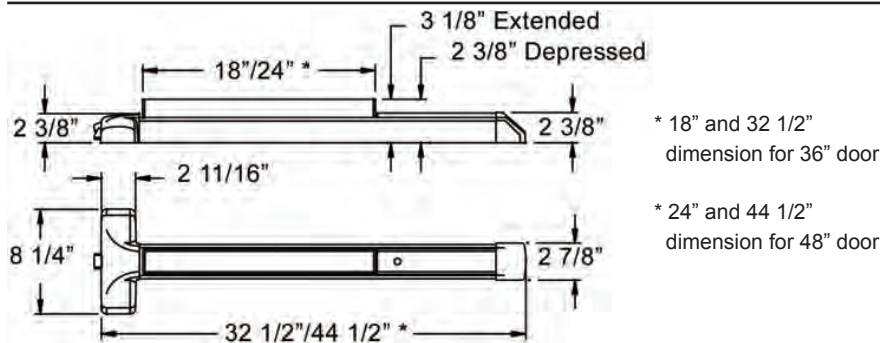
Single Door



Double Door with 90KR Mullion



Dimensions



October 15, 2013

Listings and Approvals

- UL Listed Panic Hardware
- UL Listed Fire Exit Hardware for 3 hours, maximum
- 4'x10' single doors and pairs of 4'x8' with F90KR key removable Mullion
- Meets ADA requirements
- UBC 97, Standard 7-2 and UL10C for positive pressure
- ANSI/BHMA certified A156.3
- Meets NFPA 80 & 101 for Life Safety
- Miami-Dade County, Florida NOA 12-0209.11 EXP. 04/07/15
- State of Florida Approval FL9052
- California State Fire Marshall - 4140-0127:105 and 3725-0127:108

Detex Limited Warranty

10 Year Mechanical/3 year Electrical Limited Manufacturers Warranty



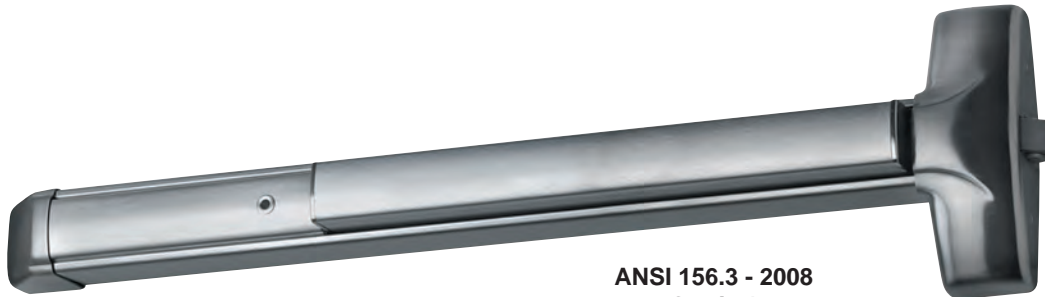
Detex Corporation
302 Detex Drive
New Braunfels, Texas 78130-3045 USA
PH. (830) 629-2900
(800) 729-3839
FAX (830) 620-6711
(800) 653-3839
<http://www.detex.com>
USA Sales:
marketing@detex.com
International Sales:
export@detex.com



10xW SERIES

Weatherized Rim Exit Device

The 10xW Series **weatherized rim exit device** is super-heavy-duty **panic** and **fire exit hardware** for use on all types of single doors and gates and double doors and gates with mullions that are or may be exposed directly to the weather. The patented mounting plate and strike locator system ensures the easiest and most accurate installation of panic hardware available. In addition to listing as UL panic and fire exit hardware device, this device conforms to UL1034-34 Temperature Section 34, UL1034-54 Dust Section 54, MIL-STD 810F, Method 506.4 (driving rain test); MIL-STD 810F, Method 509.4 (salt fog test) and UBC standard 7-2 (positive pressure).



ANSI 156.3 - 2008
Grade 1
Type 1



Benefits

- Tough and durable design for years of trouble-free service in high-use, high-abuse or inclement weather environments
- Fast and accurate installation
- Minimal door prep saves time and money
- Outside trims are easily changed or re-keyed without removing device from door

Features

- Patented mounting plate and strike locator system replaces paper templates
- Tested beyond 1,000,000 cycles - Twice the cycling required for Grade 1 UL testing
- Heavy-duty angled end-cap deflects damage away from device
- Stainless steel deadlocking, Pullman-type latch bolt
- All exposed surfaces are finished over stainless steel with PVD, an environmentally-friendly finishing process
- Non-handed
- Field sizeable
- 1/8 turn hex or cylinder dogging

Mechanical Options

- F - 3-Hour Fire Rated
- CD - Cylinder Dogging
- 99 - Surface Strike (Std.)
- H - Hurricane Rated
- HD - Hex Dogging (Std.)
- 98 - Semi Mortise Strike
- AM - Anti-Microbial Coating
- LD - Less Dogging
- 36 - Fits 36" Door Width (Std.)
- BP-3 Mounting plate (call factory for retrofit information)
- EC1 - Heavy Duty End-cap (Std)
- 48 - Fits 48" Door Width
- BP-5 Mounting Plate (call factory for retrofit information)
- EC2 - Flush End-cap

Electrical Options

- Electric Unlock (EU)
- Request to Exit Weatherized for High Voltage (EXVxW)
- Refer to Electrified Options section for more information
- Request to Exit Weatherized (EXxW)



Accessories

- GB1 - Glass Bead Kit
- SN1 - Sex Nut Kit (2 per package)
- SSK - Security Torx Screw Kit
- Trim Functions (see Outside Trims)
- GTPLV40 - Adjustable Gate Plate
- Electrified Options (see Electrified Options)

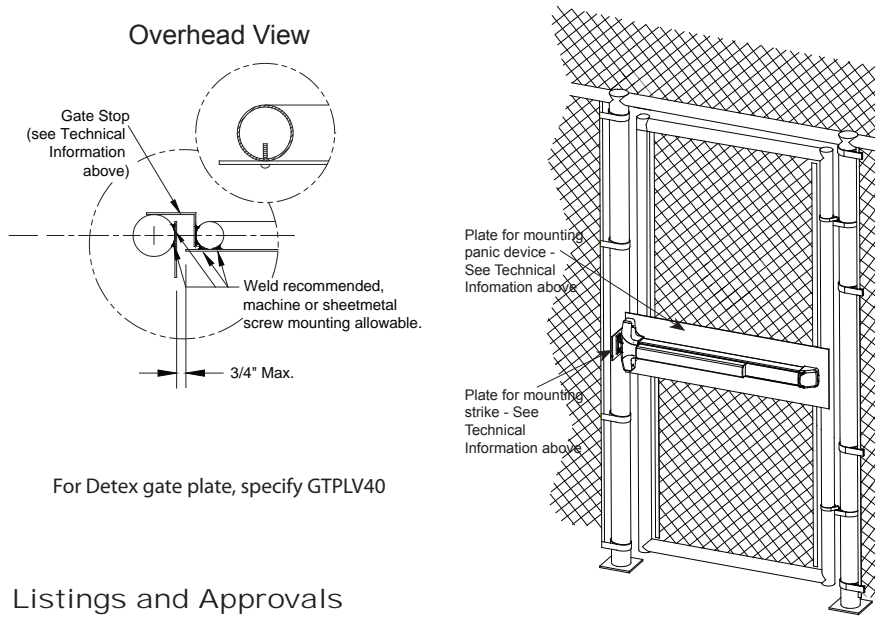
Technical Information

- Door Types - Wood, Hollow Metal, Fiberglass or Aluminum
- Door Thickness - Fits standard 1-3/4" - 2-1/4" doors (for other door thicknesses contact factory)
- Minimum Stile - 4-5/8" with standard 99 strike; 4-1/8" with optional 98 strike
- Fasteners - Machine and Self-Drilling Screws standard
- Recommended Plate Size
Gate - 1/8" thick plate, galvanized, or painted steel or 1/4" thick aluminum plate, minimum height - 10"
- Strike - 1/8" thick plated, galvanized, painted steel plate, angle iron, or 1/4" thick aluminum plate, minimum Height - 5"
- Stop - 1/8" thick plated, galvanized, or painted angle iron or 1/4" thick aluminum angle plate, minimum Height - 2"

Finishes

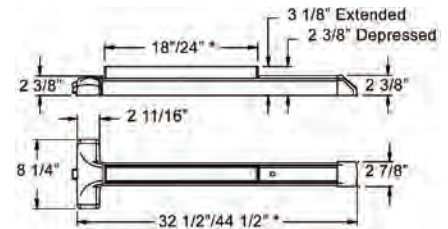
605 / US3	Polished Brass	612 / US10	Brushed Bronze	630 / US32D	Brushed Stainless Steel
606 / US4	Brushed Brass	613 / US10B	Oil Rubbed Bronze	693 / SPBLK	Black, Painted
611 / US9	Polished Bronze	628 / US28	Aluminum Satin	695 / SP 313	Dark Bronze, Painted
		629 / US32	Polished Stainless Steel		

Single Gate



For Detex gate plate, specify GTPLV40

Dimensions



* 18" and 32 1/2" dimension for 36" door

* 24" and 44 1/2" dimension for 48" door

Detex Limited Warranty

10 Year Mechanical/3 year Electrical
Limited Manufacturers Warranty

Listings and Approvals

- UL Listed Panic Hardware
- UL Listed Fire Exit Hardware for 3 hours, maximum
- 4'x10' single doors and pairs of 4'x8' with F90KR key removable Mullion
- UL1034 - 34 Temperature Section 34 [Temperature Range -31° F (-35° C) to 150° F (+66° C)]
- UL1034 - 54 Dust Section 54
- Meets ADA requirements
- UBC 97, Standard 7-2 and UL10C for positive pressure

ANSI/BHMA certified A156.3

Meets NFPA 80 & 101 for Life Safety

Miami-Dade County, Florida
NOA 10-0303.02 EXP. 04/07/15
State of Florida Approval
FL9052

California State Fire Marshall -
4140-0127:105 and
3725-0127:108

MIL-STD 810F (G), Method 509.4
(Salt Fog Test)

MIL-STD 810F (G), Method 506.4
(Driving Rain), Procedure 1

Where Trust is Built™
DETEX®
Life Safety and Security Door Hardware

Detex Corporation
302 Detex Drive
New Braunfels, Texas 78130-3045 USA
PH. (830) 629-2900
(800) 729-3839
FAX (830) 620-6711
(800) 653-3839
<http://www.detex.com>
USA Sales:
marketing@detex.com
International Sales:
export@detex.com



20 SERIES

Surface Vertical Rod Device

The 20 Series **surface vertical rod exit device** is super-heavy-duty **panic and fire exit hardware** for use on all types of double doors without a mullion. All 20 series SVR exit devices are supplied with top and bottom rod covers and an ADA compliant ramped bottom bolt cover. The patented mounting plate and strike locator system ensures the easiest and most accurate installation of panic hardware available.



**ANSI 156.3 - 2008
Grade 1
Type 2**

Benefits

- Tough and durable design for years of trouble-free service in high-use, high-abuse environments
- Minimal door prep saves time and money
- Security enhanced by stainless steel rod covers, standard
- Fast and accurate installation
- Outside trims are easily changed or rekeyed without removing device from door

Features

- Patented mounting plate and strike locator system replaces paper templates
- ADA ramped bottom bolt cover
- Heavy-duty angled end-cap deflects damage away from device
- Stainless steel deadlocking, Pullman-type top latch
- 1/8 turn hex or cylinder dogging
- Handed - field reversible
- Hardened steel bottom drop bolt with dust proof strike
- All exposed surfaces are finished over stainless steel with PVD, an environmentally friendly finishing process
- Field sizeable

Mechanical Options

- F - 3-Hour Fire Rated
- CD - Cylinder Dogging
- 84 - 84" Door Height (Std.)
- AM - Anti-Microbial Coating
- LD - Less Dogging
- 96 - 85" to 96" Door Height
- HD - Hex Dogging (Std.)
- 36 - Fits 36" Door Widths (Std.)
- 120 - 97" to 120" Door Height
- 48 - Fits 48" Door Widths

Electrical Options

- Exit Alarm (EA)
- Electric Unlock (EU)
- Request to Exit Weatherized for High Voltage (EXVxW)
- Electric Dogging (ED)
- Request to Exit (EX)
- Refer to Electrified Options section for more information
- Electric Latch Retraction (ER)
- Request to Exit for High Voltage (EXV)
- Delayed Egress - Self Contained (EE)
- Request to Exit Weatherized (EXxW)
- Delayed Egress with Latch Retraction (EExER)



Accessories

- GB3 - Glass Bead Kit - 7' Door Height (84")
- GB7 - Glass Bead Kit - 8' Door Height (85" - 96")
- GB11 - Glass Bead Kit - 10' Door Height (97" - 120")
- SN1 - Sex Nut Kit (2 per package)
- SSK- Security Torx Screw Kit
- Trim Functions (see Outside Trims)
- Electrified Options (see Electrified Options)

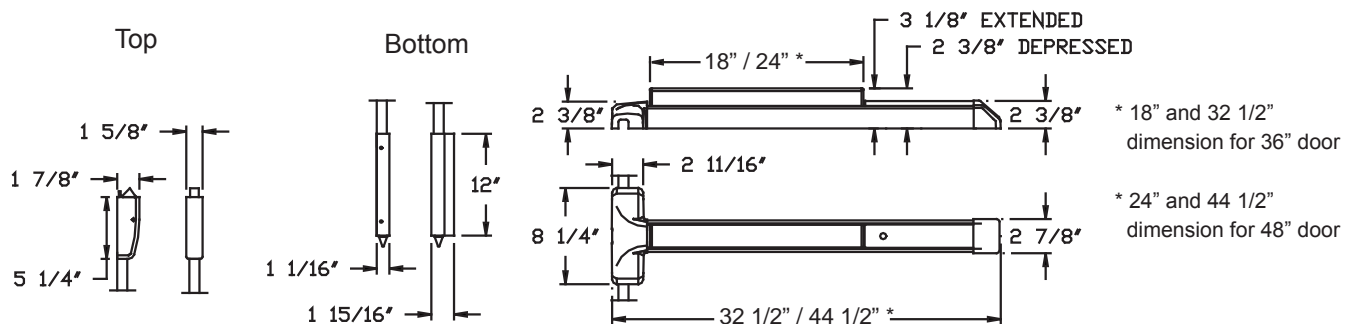
Technical Information

- Door Types - Wood, Hollow Metal, Fiberglass or Aluminum
- Door Thickness - Fits standard 1-3/4" - 2-1/4" doors (for other door thicknesses contact factory)
- Minimum Stile - 4-1/2" with standard 97 strike
- Fasteners - Machine and Self-Drilling Screws standard

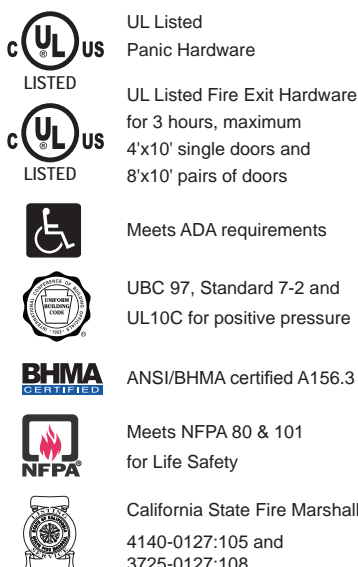
Finishes

605 / US3	Polished Brass	628 / US28	Aluminum Satin	693 / SPBLK	Black, Painted
606 / US4	Brushed Brass	629 / US32	Polished Stainless Steel	695 / SP 313	Dark Bronze, Painted
611 / US9	Polished Bronze				
612 / US10	Brushed Bronze	630 / US32D	Brushed Stainless Steel		
613 / US10B	Oil Rubbed Bronze				

Dimensions



Listings and Approvals



Detex Limited Warranty

10 Year Mechanical/3 year Electrical Limited Manufacturers Warranty

Where Trust is Built™
DETEX®
Life Safety and Security Door Hardware

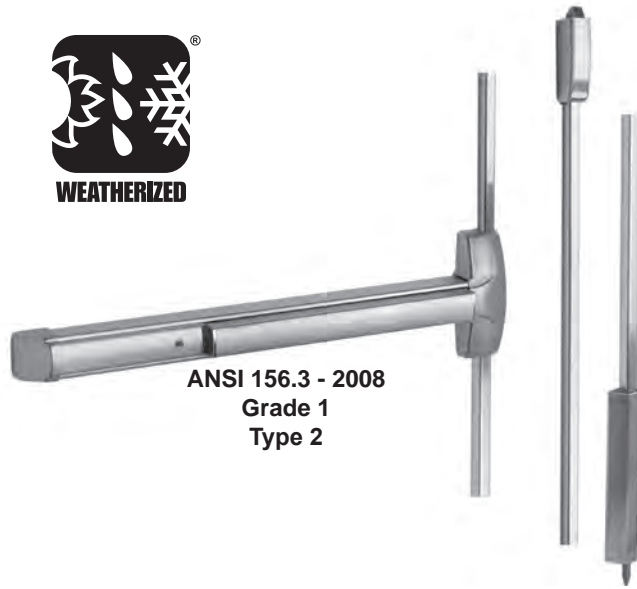
Detex Corporation
302 Detex Drive
New Braunfels, Texas 78130-3045 USA
PH. (830) 629-2900
(800) 729-3839
FAX (830) 620-6711
(800) 653-3839
<http://www.detex.com>
USA Sales:
marketing@detex.com
International Sales:
export@detex.com



20xW SERIES

Weatherized Surface Vertical Rod Device

The 20xW Series **surface vertical rod exit device** is super-heavy-duty **panic and fire exit hardware** for use on all types of double doors or gates without a mullion that are or may be exposed directly to the weather. All 20 series SVR exit devices are supplied with top and bottom rod covers and an ADA compliant ramped bottom bolt cover. The patented mounting plate and strike locator system ensures the easiest and most accurate installation of panic hardware available. In addition to listing as UL panic and fire exit hardware device, this device conforms to UL1034-34 Temperature Section 34, UL1034-54 Dust Section 54, MIL-STD 810F, Method 506.4 (driving rain test); MIL-STD 810F, Method 509.4 (salt fog test) and UBC standard 7-2 (positive pressure).



**ANSI 156.3 - 2008
Grade 1
Type 2**

Benefits

- Tough and durable design for years of trouble-free service in high-use, high-abuse or inclement weather environments
- Fast and accurate installation
- Minimal door prep saves time and money
- Outside trims are easily changed or rekeyed without removing device from door
- Security enhanced by stainless steel rod covers, standard

Features

- Patented mounting plate and strike locator system replaces paper templates
- Stainless steel deadlocking, Pullman-type top latch
- Hardened steel bottom drop bolt with dust proof strike
- ADA ramped bottom bolt cover
- 1/8 turn hex or cylinder dogging
- All exposed surfaces are finished over stainless steel with PVD, an environmentally friendly finishing process
- Heavy-duty angled end-cap deflects damage away from device
- Handed - field reversible
- Field sizeable

Mechanical Options

- F - 3-Hour Fire Rated
- AM - Anti-Microbial Coating
- HD - Hex Dogging (Std.)
- CD - Cylinder Dogging
- LD - Less Dogging
- 36 - Fits 36" Door Widths (Std.)
- 48 - Fits 48" Door Widths
- 84 - 84" Door Height (Std.)
- 96 - 85" to 96" Door Height
- 120 - 97" to 120" Door Height

Electrical Options

- Electric Unlock (EU)
 - Request to Exit Weatherized (EXxW)
 - Request to Exit Weatherized for High Voltage (EXVxW)
- Refer to Electrified Options section for more information

Accessories

- GB3 - Glass Bead Kit - 7' Door Height (84")
- GB7 - Glass Bead Kit - 8' Door Height (85" - 96")
- GB11 - Glass Bead Kit - 10' Door Height (97" - 120")
- SN1 - Sex Nut Kit (2 per package)



Accessories Cont'd

- SSK- Security Torx Screw Kit
- Trim Functions (see Outside Trims)
- Electrified Options (see Electrified Options)
- GTPLV40 - Adjustable Gate Plate

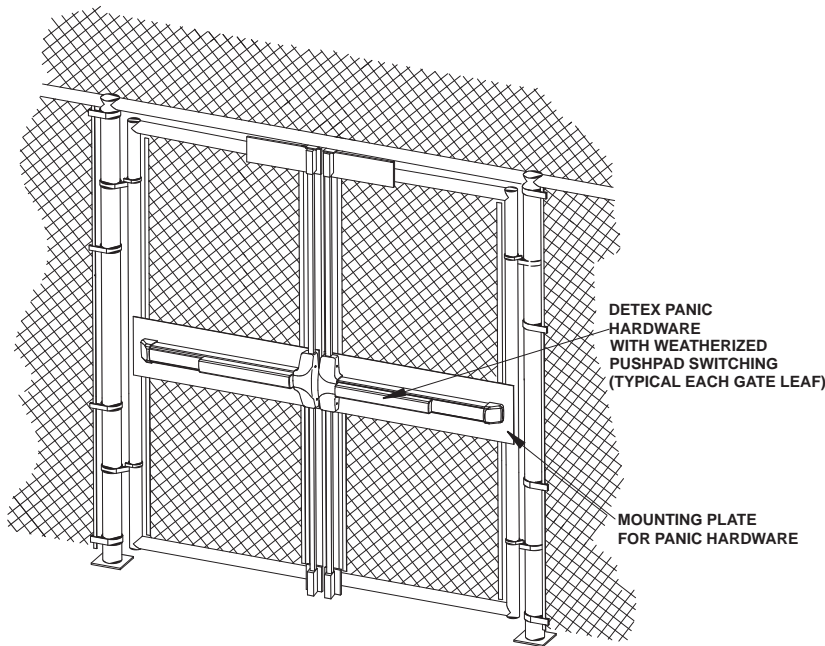
Technical Information

- Door Types - Wood, Hollow Metal, Fiberglass or Aluminum
- Door Thickness - Fits standard 1-3/4" - 2-1/4" doors (for other door thicknesses contact factory)
- Minimum Stile - 4-1/2" with standard 97 strike
- Fasteners - Machine and Self-Drilling Screws standard
- Recommended Plate Size
Gate - 1/8" thick plate, galvanized, or painted steel or 1/4" thick aluminum plate, minimum Height - 10"
Strike - 1/8" thick plated, galvanized, painted steel plate, angle iron, or 1/4" thick aluminum plate, minimum Height - 5"
Stop - 1/8" thick plated, galvanized, or painted angle iron or 1/4" thick aluminum angle plate, minimum Height - 2"

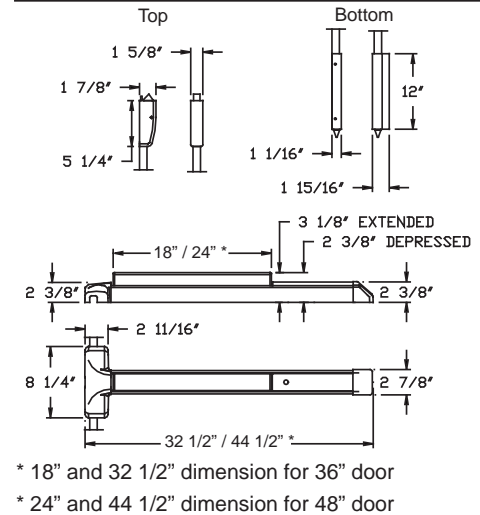
Finishes

605 / US3	Polished Brass	613 / US10B	Oil Rubbed Bronze	630 / US32D	Brushed Stainless Steel
606 / US4	Brushed Brass	628 / US28	Aluminum Satin	693 / SPBLK	Black, Painted
611 / US9	Polished Bronze	629 / US32	Polished Stainless Steel	695 / SP 313	Dark Bronze, Painted
612 / US10	Brushed Bronze				

Double Gate Riser



Dimensions



Detex Limited Warranty
10 Year Mechanical/3 year Electrical
Limited Manufacturers Warranty

Listings and Approvals



UL Listed
Panic Hardware



UL Listed Fire Exit Hardware
for 3 hours, maximum
4'x10' single doors and
8'x10' pairs of doors

UL1034-34 Temperature Section 34
[Temperature Range -31° F (-35° C) to
150° F (+66° C)]

UL1054-54 Temperature Section 54



Meets ADA requirements



ANSI/BHMA certified A156.3



ULC 97, Standard 7-2 and
UL10C for positive pressure



Meets NFPA 80 & 101
for Life Safety



California State Fire Marshall -
4140-0127:105 and
3725-0127:108

MIL-STD 810F (G), Method 509.4
(Salt Fog Test)

MIL-STD 810F (G), Method 506.4
(Driving Rain), Procedure 1



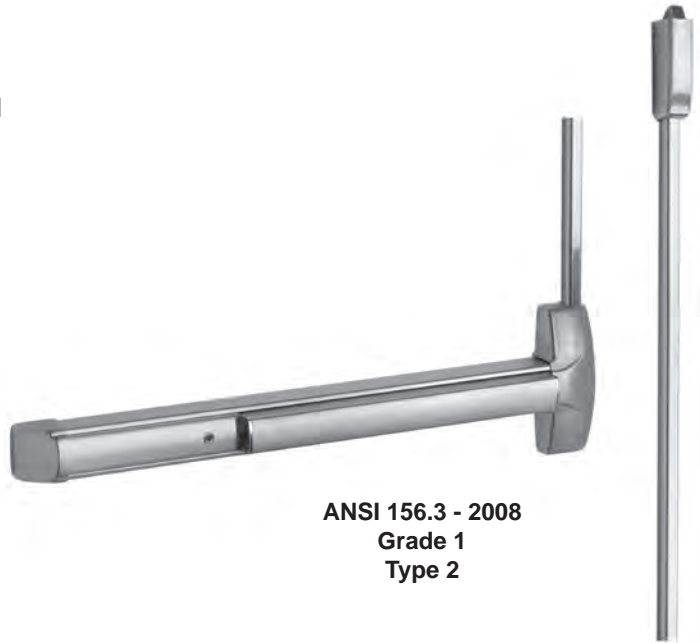
Detex Corporation
302 Detex Drive
New Braunfels, Texas 78130-3045 USA
PH. (830) 629-2900
(800) 729-3839
FAX (830) 620-6711
(800) 653-3839
<http://www.detex.com>
USA Sales:
marketing@detex.com
International Sales:
export@detex.com



21 SERIES

Surface Vertical Top Rod Only Device

The 21 Series **surface vertical rod exit device** is super-heavy-duty **panic** and **fire exit hardware** for use on all types of double doors without a mullion. All 21 Series Top Rod Only exit devices are supplied with rod cover. The patented mounting plate and strike locator system ensures the easiest and most accurate installation of panic hardware available.



ANSI 156.3 - 2008
Grade 1
Type 2

Benefits

- Tough and durable design for years of trouble-free service in high-use, high-abuse environments
- Fast and accurate installation
- Minimal door prep saves time and money
- Outside trims are easily changed or rekeyed without removing device from door
- Security enhanced by stainless steel rod covers, standard

Features

- Patented mounting plate and strike locator system replaces paper templates
- Stainless steel deadlocking, Pullman-type top latch
- 1/8 turn hex or cylinder dogging
- All exposed surfaces are finished over stainless steel with PVD, an environmentally friendly finishing process
- Heavy-duty angled end-cap deflects damage away from device
- Handed - field reversible
- Field sizeable

Mechanical Options

- F - 3-Hour Fire Rated
- HD - Hex Dogging (Std.)
- AM - Anti-Microbial Coating
- CD - Cylinder Dogging
- LD - Less Dogging
- 36 - 36" Door Widths (Std.)
- 48 - 48" Door Widths
- 84 - 84" Door Height (Std.)
- 96 - 85" to 96" Door Height
- 120 - 97" to 120" Door Height

Electrical Options

- Exit Alarm (EA)
- Electric Dogging (ED)
- Electric Latch Retraction (ER)
- Delayed Egress - Self Contained (EE)
- Delayed Egress with Latch Retraction (EExER)
- Electric Unlock (EU)
- Request to Exit (EX)
- Request to Exit for High Voltage (EXV)
- Request to Exit Weatherized (EXxW)
- Request to Exit Weatherized for High Voltage (EXVxW)

Refer to Electrified Options section for more information



Accessories

- GB4 - Glass Bead Kit - 7' Door Height (84")
- GB8 - Glass Bead Kit - 8' Door Height (85" - 96")
- GB12 - Glass Bead Kit - 10' Door Height (97" - 120")
- SN1 - Sex Nut Kit (2 per package)
- SSK- Security Torx Screw Kit
- Trim Functions (see Outside Trims)
- Electrified Options (see Electrified Options)

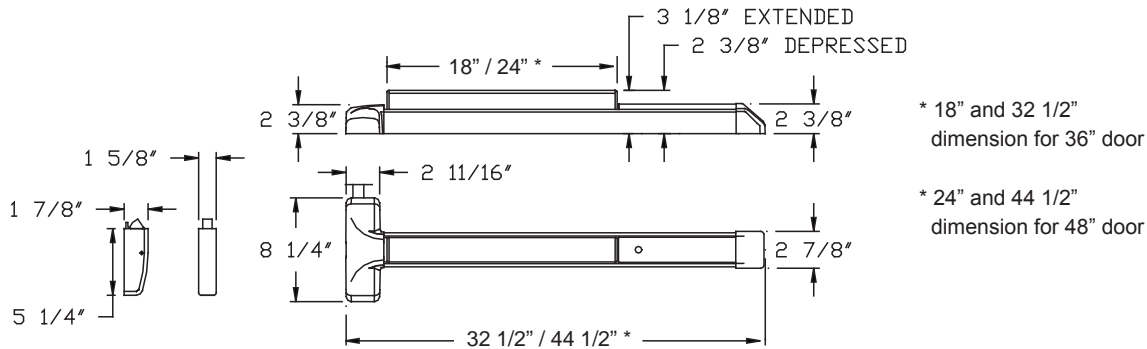
Technical Information

- Door Types - Wood, Hollow Metal, Fiberglass or Aluminum
- Door Thickness - Fits standard 1-3/4" - 2-1/4" doors (for other door thicknesses contact factory)
- Minimum Stile - 4-1/2" with standard 97 strike
- Fasteners - Machine and Self-Drilling Screws standard

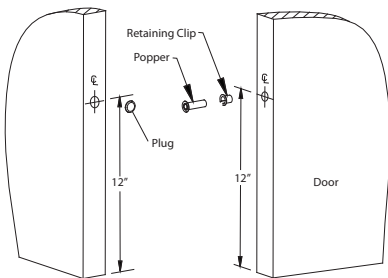
Finishes

605 / US3	Polished Brass	628 / US28	Aluminum Satin	693 / SPBLK	Black, Painted
606 / US4	Brushed Brass	629 / US32	Polished Stainless Steel	695 / SP 313	Dark Bronze, Painted
611 / US9	Polished Bronze	630 / US32D	Brushed Stainless Steel		
612 / US10	Brushed Bronze				
613 / US10B	Oil Rubbed Bronze				

Dimensions



Popper Detail for Fire Rated Device



Listings and Approvals

- UL Listed
 - Panic Hardware
- UL Listed Fire Exit Hardware for 3 hours, maximum
 - 4'x10' single doors and 8'x10' pairs of doors
- Meets ADA requirements
- ULC 97, Standard 7-2 and UL10C for positive pressure
- ANSI/BHMA certified A156.3
- Meets NFPA 80 & 101 for Life Safety
- California State Fire Marshall - 4140-0127:105 and 3725-0127:108

Detex Limited Warranty

10 Year Mechanical/3 year Electrical Limited Manufacturer's Warranty

Where Trust is Built™

DETEX®

Life Safety and Security Door Hardware

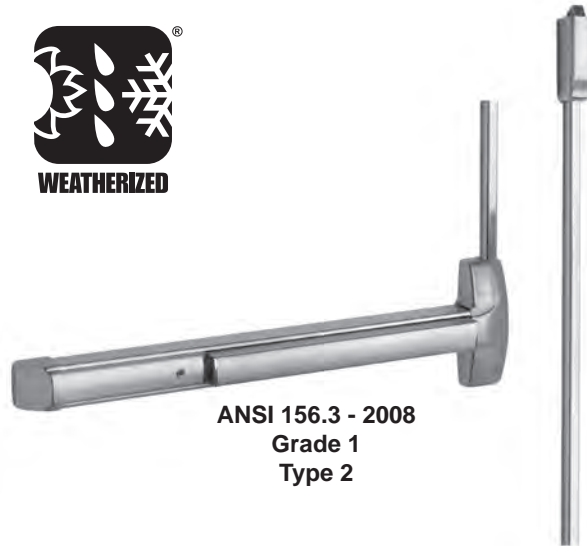
Detex Corporation
302 Detex Drive
New Braunfels, Texas 78130-3045 USA
PH. (830) 629-2900
(800) 729-3839
FAX (830) 620-6711
(800) 653-3839
<http://www.detex.com>
USA Sales:
marketing@detex.com
International Sales:
export@detex.com



21xW SERIES

Weatherized Surface Vertical Top Rod Only Device

The 21xW Series **surface vertical rod exit device** is super-heavy-duty **panic and fire exit hardware** for use on all types of double doors or gates without a mullion that are or may be exposed directly to the weather. All 21 Series Top Rod Only exit devices are supplied with top and bottom rod covers and an ADA compliant ramped bottom bolt cover. The patented mounting plate and strike locator system ensures the easiest and most accurate installation of panic hardware available. In addition to listing as UL panic and fire exit hardware device, this device conforms to UL1034-34 Temperature Section 34, UL1034-54 Dust Section 54, MIL-STD 810F, Method 506.4 (driving rain test); MIL-STD 810F, Method 509.4 (salt fog test) and UBC standard 7-2 (positive pressure).



**ANSI 156.3 - 2008
Grade 1
Type 2**

Benefits

- Tough and durable design for years of trouble-free service in high-use, high-abuse or inclement weather environments
- Fast and accurate installation
- Minimal door prep saves time and money
- Outside trims are easily changed or rekeyed without removing device from door
- Security enhanced by stainless steel rod covers, standard

Features

- Patented mounting plate and strike locator system replaces paper templates
- Stainless steel deadlocking, Pullman-type top latch
- 1/8 turn hex or cylinder dogging
- All exposed surfaces are finished over stainless steel with PVD, an environmentally friendly finishing process
- Heavy-duty angled end-cap deflects damage away from device
- Handed - field reversible
- Field sizeable

Mechanical Options

- F - 3-Hour Fire Rated
- AM - Anti-Microbial Coating
- HD - Hex Dogging (Std.)
- CD - Cylinder Dogging
- LD - Less Dogging
- 36 - Fits 36" Door Widths (Std.)
- 48 - Fits 48" Door Widths
- 84 - 84" Door Height (Std.)
- 96 - 85" to 96" Door Height
- 120 - 97" to 120" Door Height

Electrical Options

- Electric Unlock (EU)
 - Request to Exit Weatherized (EXxW)
 - Request to Exit Weatherized for High Voltage (EXVxW)
- Refer to Electrified Options section for more information

Accessories

- GB4 - Glass Bead Kit - 7' Door Height (84")
- GB8 - Glass Bead Kit - 8' Door Height (85" - 96")
- GB12 - Glass Bead Kit - 10' Door Height (97" - 120")
- SN1 - Sex Nut Kit (2 per package)
- SSK- Security Torx Screw Kit
- Trim Functions (see Outside Trims)
- Electrified Options (see Electrified Options)



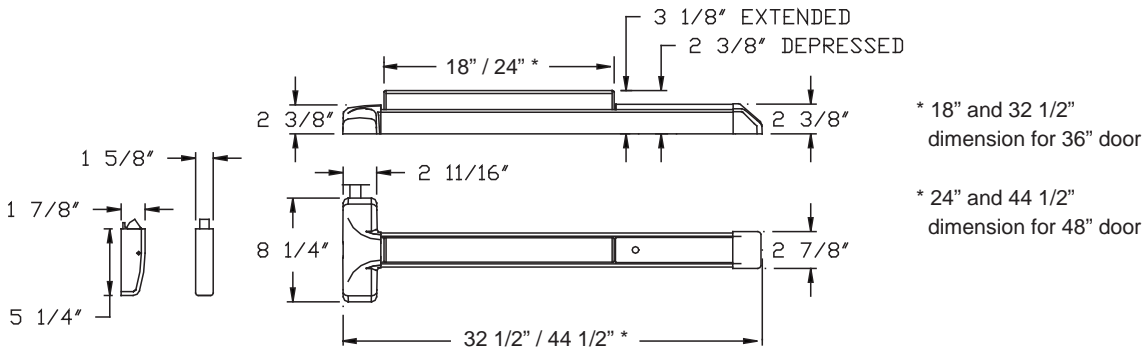
Technical Information

- Door Types - Wood, Hollow Metal, Fiberglass or Aluminum
- Minimum Stile - 4-1/2" with standard 97 strike
- Door Thickness - Fits standard 1-3/4" - 2-1/4" doors (for other door thicknesses contact factory)
- Fasteners - Machine and Self-Drilling Screws standard

Finishes

605 / US3	Polished Brass	613 / US10B	Oil Rubbed Bronze	630 / US32D	Brushed Stainless Steel
606 / US4	Brushed Brass	628 / US28	Aluminum Satin	693 / SPBLK	Black, Painted
611 / US9	Polished Bronze	629 / US32	Polished Stainless Steel	695 / SP 313	Dark Bronze, Painted
612 / US10	Brushed Bronze				

Dimensions



Listings and Approvals



UL Listed
Panic Hardware



UL Listed Fire Exit Hardware
for 3 hours, maximum
4'x10' single doors and
8'x10' pairs of doors

UL1034-34 Temperature Section 34
[Temperature Range -31° F (-35° C) to
150° F (+66° C)]

UL1054-54 Temperature Section 54



Meets ADA requirements



ANSI/BHMA certified A156.3



ULC 97, Standard 7-2 and
UL10C for positive pressure



Meets NFPA 80 & 101
for Life Safety



California State Fire Marshall -
4140-0127:105 and
3725-0127:108

MIL-STD 810F (G), Method 509.4
(Salt Fog Test)

MIL-STD 810F (G), Method 506.4
(Driving Rain), Procedure 1

Detex Limited Warranty

10 Year Mechanical/3 year Electrical
Limited Manufacturers Warranty

Where Trust is Built™
DETEX®
Life Safety and Security Door Hardware

Detex Corporation
 302 Detex Drive
 New Braunfels, Texas 78130-3045 USA
 PH. (830) 629-2900
 (800) 729-3839
 FAX (830) 620-6711
 (800) 653-3839
<http://www.detex.com>
 USA Sales:
marketing@detex.com
 International Sales:
export@detex.com



27 SERIES

High Security Relatching Surface Vertical Rod Device

The 27 Series high security surface vertical rod exit device is super-heavy-duty panic and fire exit hardware for use on all types of double doors without a mullion. The 27 Series is available with both top and bottom rods, but not available with top rod only. The patented mounting plate and strike locator system ensures the easiest and most accurate installation of panic hardware available.

Benefits

- Tough and durable design for years of trouble-free service in high-use, high-abuse environments
- Security enhanced by oversized, heavy duty relatching top and bottom bolts
- Minimal door prep saves time and money
- Outside trims are easily changed or rekeyed without removing device from door
- Fast and accurate installation saves time and money

Features

- Patented mounting plate and strike locator system replaces paper templates
- Stainless steel relatching, top bolt
- Hardened steel bottom drop bolt with optional dust proof strike
- Heavy-duty angled endcap deflects damage away from device
- ADA ramped bottom bolt cover
- 1/8 turn hex or cylinder dogging
- All exposed surfaces are finished over stainless steel with PVD, an environmentally friendly finishing process
- Handed - field reversible
- Field sizeable

Mechanical Options

- T - Tornado/Windstorm Rated (FEMA 361) - up to 42" wide and 88" height
- F - Contact factory for availability
- AM - Anti-Microbial Coating
- HD - Hex Dogging (Std.)
- CD - Cylinder Dogging
- LD - Less Dogging
- 36 - Fits 36" Door Widths (Std.)
- 48 - Fits 48" Door Widths
- 84 - 84" Door Height (Std.)
- 96 - 85" to 96" Door Height
- 120 - 97" to 120" Door Height

Electrical Options

- Exit Alarm (EA)
- Electric Dogging (ED)
- Electric Latch Retraction (ER)
- Delayed Egress - Self Contained (EE)
- Delayed Egress with Latch Retraction (EEExER)
- Electric Unlock (EU)
- Request to Exit (EX)
- Request to Exit for High Voltage (EXV)



Refer to Electrified Options section for more information

Accessories

- GB3 - Glass Bead Kit - 7' Door Height (84")
- GB7 - Glass Bead Kit - 8' Door Height (85" - 96")
- GB11 - Glass Bead Kit - 10' Door Height (97" - 120")
- SN1 - Sex Nut Kit (2 per package)
- SSK- Security Torx Screw Kit
- Trim Functions (see Outside Trims)
- Electrified Options (see Electrified Options)

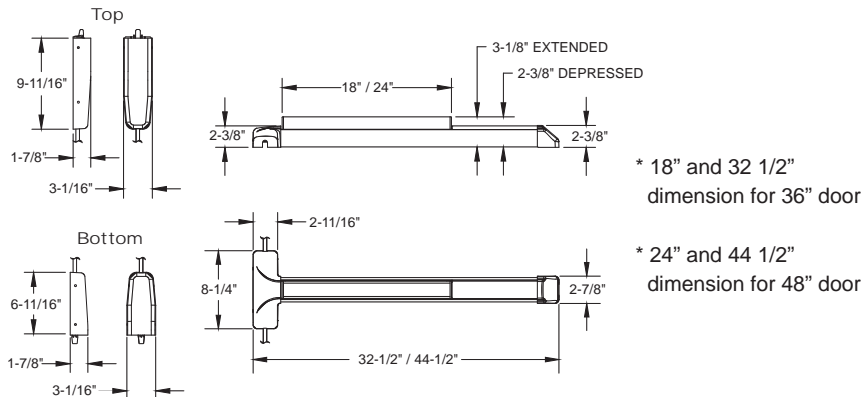
Technical Information

- Door Types - Wood, Hollow Metal, Fiberglass or Aluminum
- Door Thickness - Fits standard 1-3/4" - 2-1/4" doors (for other door thicknesses contact factory)
- Minimum Stile - 4-1/2" with standard 999 strike
- 1-1/2" minimum frame stop width
- Fasteners - Machine and Self-Drilling Screws standard

Finishes

605 / US3	Polished Brass	628 / US28	Aluminum Satin	693 / SPBLK	Black, Painted
606 / US4	Brushed Brass	629 / US32	Polished Stainless Steel	695 / SP 313	Dark Bronze, Painted
611 / US9	Polished Bronze				
612 / US10	Brushed Bronze	630 / US32D	Brushed Stainless Steel		
613 / US10B	Oil Rubbed Bronze				

Dimensions



Detex Limited Warranty

10 Year Mechanical/3 year Electrical Limited Manufacturers Warranty

Listings and Approvals



UL Listed
Panic Hardware

LISTED



UL Listed Fire Exit Hardware
for 3 hours, maximum
4'x10' single doors and
8'x10' pairs of doors



Meets ADA requirements



UBC 97, Standard 7-2 and
UL10C for positive pressure



ANSI/BHMA certified A156.3



Meets NFPA 80 & 101
for Life Safety

Qualified to meet FEMA 361; Tested
at TEXAS Tech University National
Wind Institute

Where Trust is Built™
DETEX®
Life Safety and Security Door Hardware

Detex Corporation
302 Detex Drive
New Braunfels, Texas 78130-3045 USA
PH. (830) 629-2900
(800) 729-3839
FAX (830) 620-6711
(800) 653-3839
<http://www.detex.com>
USA Sales:
marketing@detex.com
International Sales:
export@detex.com



30 SERIES

Mortise Lock Exit Device

The 30 Series **mortise lock exit device** is super-heavy-duty **panic and fire exit hardware** for use on all types of single and double doors. The patented mounting plate and strike locator system ensures the easiest and most accurate installation of panic hardware available.



**ANSI 156.3 - 2008
Grade 1
Type 3**

Benefits

- Tough and durable design for years of trouble-free service in high-use, high-abuse environments
- Fast and accurate installation
- Minimal door prep saves time and money
- Outside trims are easily changed or re-keyed without removing device from door
- Easy retrofit to other manufacturers

Features

- 3/4" Projection Stainless Steel latch bolt
- Anti-friction, deadlocking, latch bolt
- All exposed surfaces are finished over stainless steel with PVD, an environmentally-friendly finishing process
- Non-handed, field sizeable
- 1/8 turn dogging
- Patented mounting plate and strike locator system
- Heavy-duty angled end-cap deflects damage away from device

Mechanical Options

- F - 3-Hour Fire Rated
- AM - Anti-Microbial Coating
- CD - Cylinder Dogging
- HD - Hex Dogging (Std.)
- LD - Less Dogging
- 90 ANSI Strike (Std.)
- 91 ANSI Flat Lip Strike
- 92 Double Door Short Open Back Strike
- 93 - Double Door Long Open Back Strike
- 36 - Fits 36" Door Width (Std.)
- 48 - Fits 48" Door Width

Electrical Options

- Exit Alarm (EA)
- Electric Dogging (ED)
- Electric Latch Retraction (ER)
- Delayed Egress Self-Contained (EE)
- Delayed Egress with Latch Retraction (EEExER)
- Request to Exit (EX)
- Request to Exit for High Voltage (EXV)
- Request to Exit Weatherized (EXxW)
- Request to Exit Weatherized for High Voltage (EXVxW)

Refer to Electrified Options section for more information



Accessories

- SN1 - Sex Nut Kit (2 per package)
- KS - Key Stop - key removed only when armed
- GB16 - Glass Bead Kit

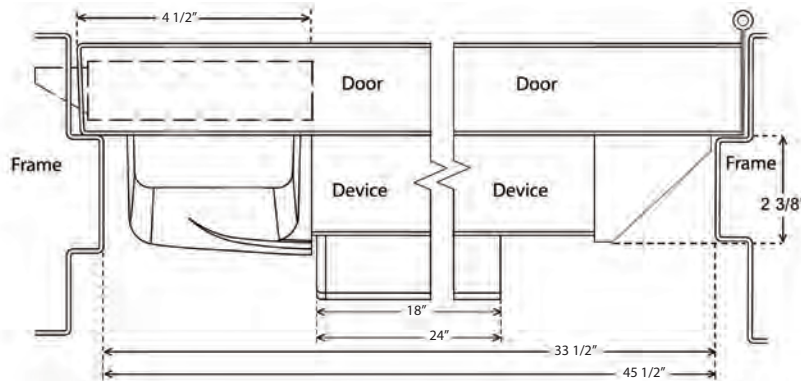
Technical Information

- Door Types - Wood, Hollow Metal, Fiberglass or Aluminum
- Minimum Stile - 4-3/4"
- Optional Sex Nuts for wood or composite doors
- Door Thickness - Fits standard 1-3/4" - 2-1/4" doors (for other door thicknesses contact factory)
- Machine and Self-Drilling Screws (Std.)
- Security Torx screws available

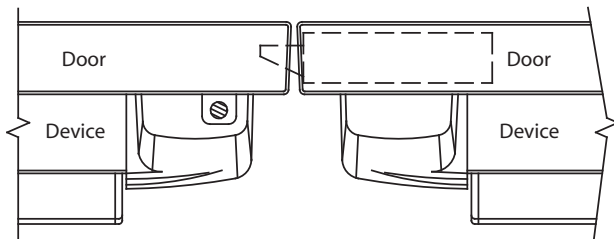
Finishes

605 / US3 Polished Brass	628 / US28 Aluminum Satin	693 / SPBLK Black, Painted
606 / US4 Brushed Brass	629 / US32 Polished Stainless Steel	695 / SP 313 Dark Bronze, Painted
611 / US9 Polished Bronze	630 / US32D Brushed Stainless Steel	
612 / US10 Brushed Bronze		
613 / US10B Oil Rubbed Bronze		

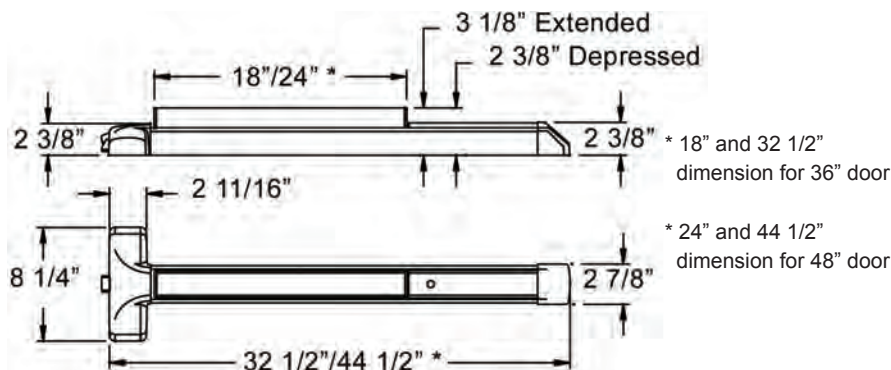
Single Door



Double Door with Mortise and Vertical Rod



Dimensions



Listings and Approvals

- UL Listed Panic Hardware
- UL Listed Fire Exit Hardware for 3 hours, maximum 4'x10' single doors and pairs of 8'x10' doors with Surface Vertical Rod
- Meets ADA requirements
- UBC 97, Standard 7-2 and UL10C for positive pressure
- ANSI/BHMA certified A156.3
- Meets NFPA 80 & 101 for Life Safety
- California State Fire Marshal - 4140-0127:105 and 3725-0127:108

Detex Limited Warranty

10 Year Mechanical/3 year Electrical Limited Manufacturer's Warranty



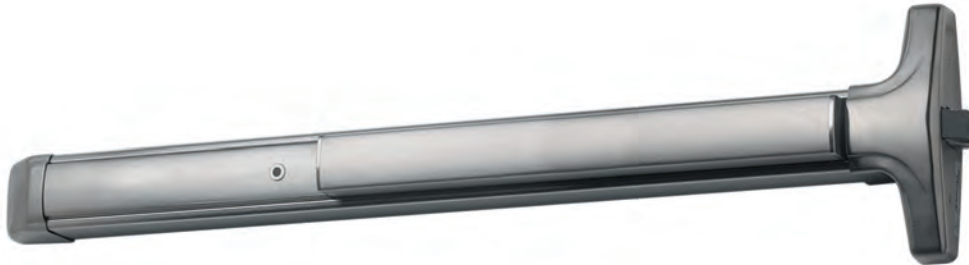
Detex Corporation
302 Detex Drive
New Braunfels, Texas 78130-3045 USA
PH. (830) 629-2900
(800) 729-3839
FAX (830) 620-6711
(800) 653-3839
<http://www.detex.com>
USA Sales:
marketing@detex.com
International Sales:
export@detex.com



40 SERIES

Narrow Stile Rim Exit Device

The 40 Series rim exit device is super-heavy-duty panic and fire exit hardware for use on all types of narrow stile single and double doors with mullions. The patented mounting plate and strike locator system ensures the easiest and most accurate installation of panic hardware available.



ANSI 156.3 - 2008
Grade 1
Type 4

Benefits

- Tough and durable design for years of trouble-free service in high-use, high-abuse environments
- Fast and accurate installation
- Minimal door prep saves time and money
- Outside trims are easily changed or re-keyed without removing device from door

Features

- Patented mounting plate and strike locator system replaces paper templates
- All exposed surfaces are finished over stainless steel with PVD, an environmentally-friendly finishing process
- Non-handed
- Stainless steel deadlocking, Pullman-type latch bolt
- Heavy-duty angled end-cap deflects damage away from device
- Field sizeable
- 1/8 turn hex or cylinder dogging

Mechanical Options

- F - 3-Hour Fire Rated
- HD - Hex Dogging (Std.)
- 99 - Surface Strike
- H - Hurricane Rated
- CD - Cylinder Dogging
- 36 - Fits 36" Door Width (Std.)
- AM - Anti-Microbial Coating
- LD - Less Dogging
- 48 - Fits 48" Door Width
- CD - Cylinder Dogging
- 98 - Semi Mortise Strike (Std.)

Electrical Options

- Exit Alarm (EA)
- Electric Unlock (EU2W)
- Request to Exit Weatherized (EXxW)
- Electric Dogging (ED)
- Latch Bolt Signaling (LX)
- Request to Exit Weatherized for High Voltage (EXVxW)
- Electric Integration (EI)
- Latch Bolt Signaling for High Voltage (LXV)
- Request to Exit (EX)
- Electric Latch Retraction (ER)
- Electric Switching (ES)
- Request to Exit for High Voltage (EXV)
- Delayed Egress - Self Contained (EE)
- Request to Exit (EX)
- Delayed Egress with Latch Retraction (EExER)
- Request to Exit for High Voltage (EXV)
- Delayed Egress - Mag Lock (EM)

Refer to Electrified Options section for more information

Accessories

- GB2 - Glass Bead Kit
- SN1 - Sex Nut Kit (2 per package)
- SSK - Security Torx Screw Kit
- Trim Functions (see Outside Trims)
- Electrified Options (see Electrified Options)

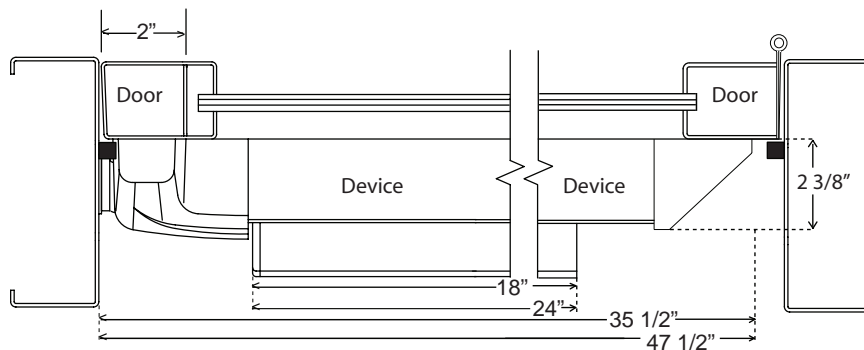
Technical Information

- Door Types - Wood, Hollow Metal, Fiberglass or Aluminum
- Door Thickness - Fits standard 1-3/4" - 2-1/4" doors (for other door thicknesses contact factory)
- Minimum Stile - 2" with standard 98 strike; 2-1/2" with optional 99 strike
- Fasteners - Machine and Self-Drilling Screws standard

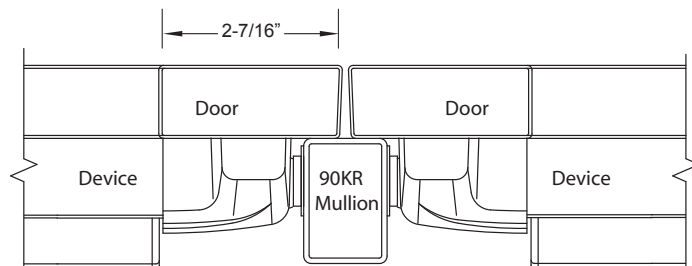
Finishes

605 / US3	Polished Brass	628 / US28	Aluminum Satin	693 / SPBLK	Black, Painted
606 / US4	Brushed Brass	629 / US32	Polished Stainless Steel	695 / SP 313	Dark Bronze, Painted
611 / US9	Polished Bronze				
612 / US10	Brushed Bronze	630 / US32D	Brushed Stainless Steel		
613 / US10B	Oil Rubbed Bronze				

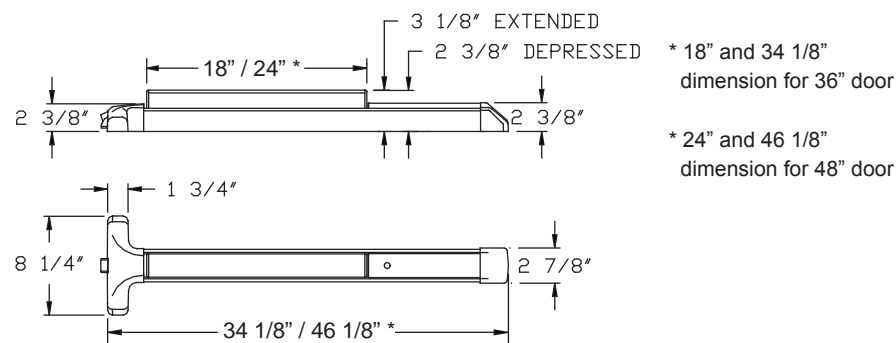
Single Door



Double Door with 90KR Mullion



Dimensions



Listings and Approvals

- UL Listed Panic Hardware
- LISTED UL Listed Fire Exit Hardware for 3 hours, maximum
- LISTED 4'x10' single doors and pairs of 4'x8' with F90KR key removable Mullion
- Meets ADA requirements
- UBC 97, Standard 7-2 and UL10C for positive pressure
- ANSI/BHMA certified A156.3
- Meets NFPA 80 & 101 for Life Safety
- Miami-Dade County, Florida NOA 10-0303.02 EXP. 04/07/15
- State of Florida Approval FL9052
- California State Fire Marshall - 4140-0127:105 and 3725-0127:108

Detex Limited Warranty

10 Year Mechanical/3 year Electrical Limited Manufacturer's Warranty

Where Trust is Built™
DETEX®
Life Safety and Security Door Hardware

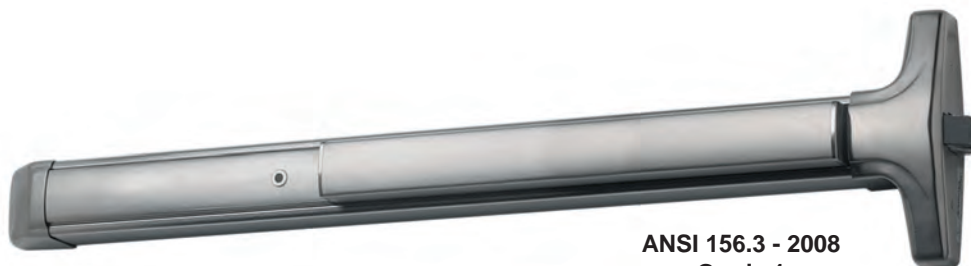
Detex Corporation
 302 Detex Drive
 New Braunfels, Texas 78130-3045 USA
 PH. (830) 629-2900
 (800) 729-3839
 FAX (830) 620-6711
 (800) 653-3839
<http://www.detex.com>
 USA Sales:
marketing@detex.com
 International Sales:
export@detex.com



40xW SERIES

Weatherized Narrow Stile Rim Exit Device

The 40xW Series **weatherized rim exit device** is super-heavy-duty **panic** and **fire exit hardware** for use on all types of narrow stile single and double doors with mullions that are or may be exposed directly to the weather. The patented mounting plate and strike locator system ensures the easiest and most accurate installation of panic hardware available. In addition to listing as UL panic and fire exit hardware device, this device conforms to UL 1034-34 Temperature Section 34, UL1034-54 Dust Section 54, MIL-STD 810F, Method 506.4 (driving rain test); MIL-STD 810F, Method 509.4 (salt fog test) and UBC standard 7-2 (positive pressure).



ANSI 156.3 - 2008
Grade 1
Type 4



Benefits

- Tough and durable design for years of trouble-free service in high-use, high-abuse environments
- Fast and accurate installation
- Minimal door prep saves time and money
- Outside trims are easily changed or re-keyed without removing device from door

Features

- Patented mounting plate and strike locator system replaces paper templates
- All exposed surfaces are finished over stainless steel with PVD, an environmentally-friendly finishing process
- Non-handed
- Field sizeable
- Stainless steel deadlocking, Pullman-type latch bolt
- Heavy-duty angled end-cap deflects damage away from device
- 1/8 turn hex or cylinder dogging

Mechanical Options

- F - 3-Hour Fire Rated
- HD - Hex Dogging (Std.)
- 99 - Surface Strike
- H - Hurricane Rated
- CD - Cylinder Dogging
- 36 - Fits 36" Door Width (Std.)
- AM - Anti-Microbial Coating
- LD - Less Dogging
- 48 - Fits 48" Door Width
- CD - Cylinder Dogging
- 98 - Semi Mortise Strike (Std.)

Electrical Options

- Electric Unlock (EU2W)
- Request to Exit Weatherized (EXxW)
- Request to Exit Weatherized for High Voltage (EXVxW)

Refer to Electrified Options section for more information

Accessories

- GB2 - Glass Bead Kit
- SSK - Security Torx Screw Kit
- Electrified Options (see Electrified Options)
- SN1 - Sex Nut Kit (2 per package)
- Trim Functions (see Outside Trims)

Technical Information

- Door Types - Wood, Hollow Metal, Fiberglass or Aluminum
- Door Thickness - Fits standard 1-3/4" - 2-1/4" doors (for other door thicknesses contact factory)

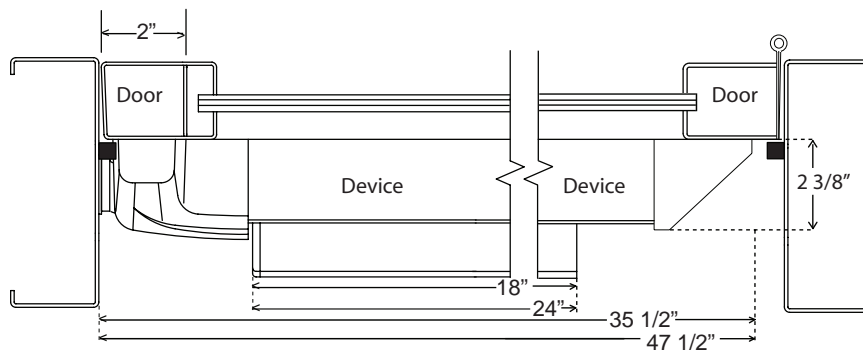
- Minimum Stile - 2" with standard 98 strike; 2-1/2" with optional 99 strike

- Fasteners - Machine and Self-Drilling Screws standard

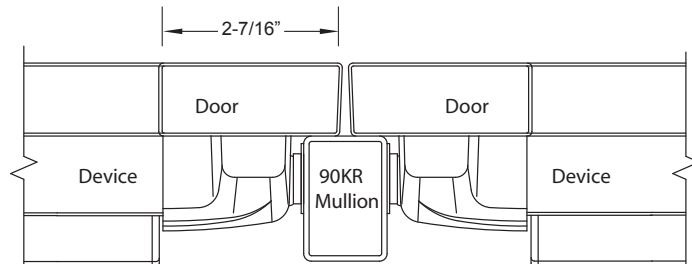
Finishes

605 / US3	Polished Brass	628 / US28	Aluminum Satin	693 / SPBLK	Black, Painted
606 / US4	Brushed Brass	629 / US32	Polished Stainless Steel	695 / SP 313	Dark Bronze, Painted
611 / US9	Polished Bronze				
612 / US10	Brushed Bronze	630 / US32D	Brushed Stainless Steel		
613 / US10B	Oil Rubbed Bronze				

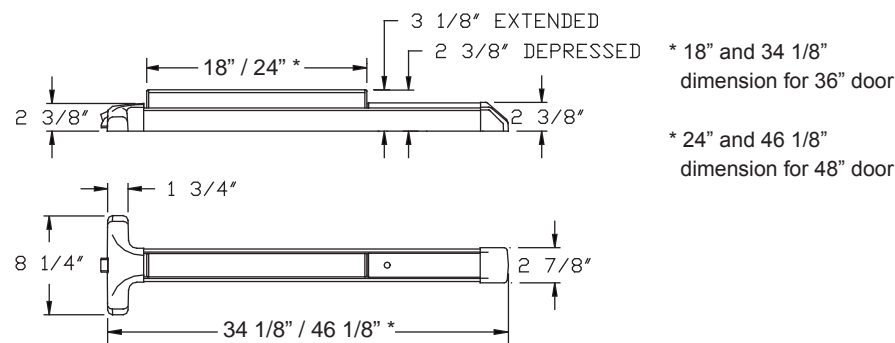
Single Door



Double Door with 90KR Mullion



Dimensions



Listings and Approvals

- UL Listed Panic Hardware
- UL Listed Fire Exit Hardware for 3 hours, maximum
- UL Listed 4'x10' single doors and pairs of 4'x8' with F90KR key removable Mullion
- Meets ADA requirements
- UBC 97, Standard 7-2 and UL10C for positive pressure
- ANSI/BHMA certified A156.3
- Meets NFPA 80 & 101 for Life Safety
- Miami-Dade County, Florida NOA 10-0303.02 EXP. 04/07/15
- State of Florida Approval FL9052
- California State Fire Marshall - 4140-0127:105 and 3725-0127:108
- MIL-STD 810F (G), Method 509.4 (Salt Fog Test)
- MIL-STD 810F (G), Method 506.4 (Driving Rain), Procedure 1

Detex Limited Warranty

10 Year Mechanical/3 year Electrical Limited Manufacturer's Warranty

Where Trust is Built™
DETEX®
Life Safety and Security Door Hardware

Detex Corporation
 302 Detex Drive
 New Braunfels, Texas 78130-3045 USA
 PH. (830) 629-2900
 (800) 729-3839
 FAX (830) 620-6711
 (800) 653-3839
<http://www.detex.com>
 USA Sales:
marketing@detex.com
 International Sales:
export@detex.com



50 SERIES

Narrow Stile Surface Vertical Rod Device

The 50 Series **surface vertical rod exit device** is super-heavy-duty **panic** and **fire exit hardware** for use on all types of narrow stile double doors without a mullion. All 50 series SVR exit devices are supplied with top and bottom rod covers and an ADA compliant ramped bottom bolt cover. The patented mounting plate and strike locator system ensures the easiest and most accurate installation of panic hardware available.



ANSI 156.3 - 2008
Grade 1
Type 5

Benefits

- Tough and durable design for years of trouble-free service in high-use, high-abuse environments
- Fast and accurate installation
- Minimal door prep saves time and money
- Outside trims are easily changed or rekeyed without removing device from door
- Security enhanced by stainless steel rod covers, standard

Features

- Patented mounting plate and strike locator system replaces paper templates
- Stainless steel deadlocking, Pullman-type top latch
- Hardened steel bottom drop bolt with dust proof strike
- ADA ramped bottom bolt cover
- 1/8 turn hex or cylinder dogging
- All exposed surfaces are finished over stainless steel with PVD, an environmentally friendly finishing process
- Heavy-duty angled end-cap deflects damage away from device
- Handed - field reversible
- Field sizeable

Mechanical Options

- F - 3-Hour Fire Rated
- AM - Anti-Microbial Coating
- HD - Hex Dogging (Std.)
- CD - Cylinder Dogging
- LD - Less Dogging
- EC1 - Heavy Duty End-cap (Std.)
- EC2 - Flush End-cap
- 36 - 36" Door Widths (Std.)
- 48 - 48" Door Widths
- 84 - 84" Door Height (Std.)
- 96 - 85" to 96" Door Height
- 120 - 97" to 120" Door Height

Electrical Options

- Exit Alarm (EA)
 - Electric Dogging (ED)
 - Electric Latch Retraction (ER)
 - Delayed Egress - Self Contained (EE)
 - Delayed Egress with Latch Retraction (EExER)
 - Electric Unlock (EU2W)
 - Request to Exit (EX)
 - Request to Exit for High Voltage (EXV)
 - Request to Exit Weatherized (EXxW)
 - Request to Exit Weatherized for High Voltage (EXVxW)
- Refer to Electrified Options section for more information



Accessories

- GB5 - Glass Bead Kit - 7' Door Height (84")
- GB9 - Glass Bead Kit - 8' Door Height (85" - 96")
- GB13 - Glass Bead Kit - 10' Door Height (97" - 120")
- SN1 - Sex Nut Kit (2 per package)
- SSK- Security Torx Screw Kit
- Trim Functions (see Outside Trims)
- Electrified Options (see Electrified Options)

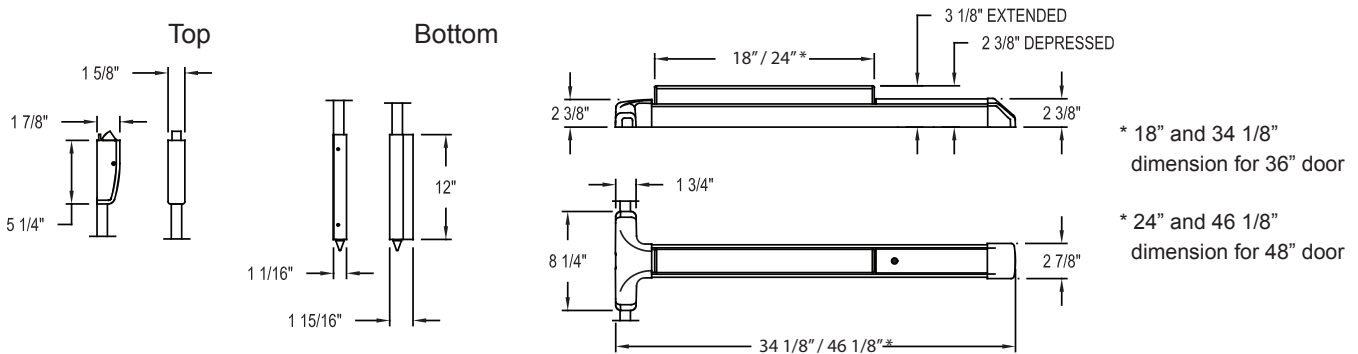
Technical Information

- Door Types - Wood, Hollow Metal, Fiberglass or Aluminum
- Door Thickness - Fits standard 1-3/4" - 2-1/4" doors (for other door thicknesses contact factory)
- Minimum Stile - 2" with standard 96 strike
- Fasteners - Machine and Self-Drilling Screws standard

Finishes

605 / US3	Polished Brass	628 / US28	Aluminum Satin	693 / SPBLK	Black, Painted
606 / US4	Brushed Brass	629 / US32	Polished Stainless Steel	695 / SP 313	Dark Bronze, Painted
611 / US9	Polished Bronze	630 / US32D	Brushed Stainless Steel		
612 / US10	Brushed Bronze				
613 / US10B	Oil Rubbed Bronze				

Dimensions



Listings and Approvals



UL Listed
Panic Hardware

LISTED

UL Listed Fire Exit Hardware
for 3 hours, maximum
4'x10' single doors and
8'x10' pairs of doors



LISTED



Meets ADA requirements



ULC 97, Standard 7-2 and
UL10C for positive pressure



ANSI/BHMA certified A156.3



Meets NFPA 80 & 101
for Life Safety



California State Fire Marshal -
4140-0127:105 and
3725-0127:108

Detex Limited Warranty

10 Year Mechanical/3 year Electrical
Limited Manufacturer's Warranty

Where Trust is Built™
DETEX®
Life Safety and Security Door Hardware

Detex Corporation
302 Detex Drive
New Braunfels, Texas 78130-3045 USA

PH. (830) 629-2900

(800) 729-3839

FAX (830) 620-6711

(800) 653-3839

<http://www.detex.com>

USA Sales:

marketing@detex.com

International Sales:

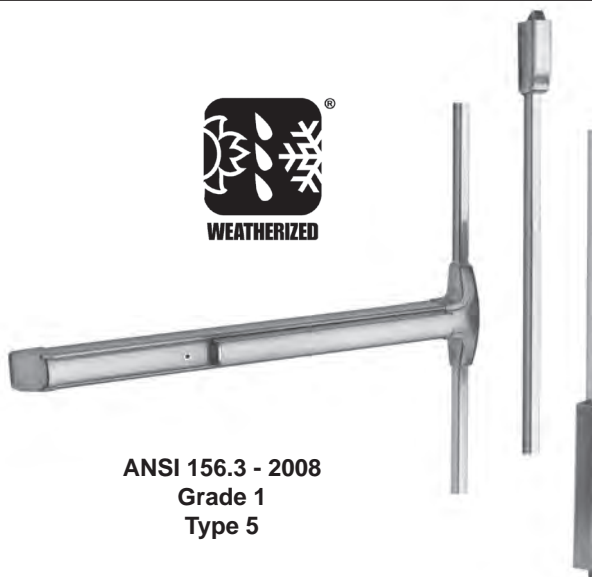
export@detex.com



50xW SERIES

Weatherized Narrow Stile Surface Vertical Rod Device

The 50 Series weatherized **surface vertical rod exit device** is super-heavy-duty **panic and fire exit hardware** for use on all types of narrow stile double doors without a mullion. All 50 series SVR exit devices are supplied with top and bottom rod covers and an ADA compliant ramped bottom bolt cover. The patented mounting plate and strike locator system ensures the easiest and most accurate installation of panic hardware available. In addition to listing as UL panic and fire exit hardware device, this device conforms to UL1034-34 Temperature Section 34, UL1034-54 Dust Section 54, MIL-STD 810F, Method 506.4 (driving rain test); MIL-STD 810F, Method 509.4 (salt fog test) and UBC standard 7-2 (positive pressure).



Benefits

- Tough and durable design for years of trouble-free service in high-use, high-abuse environments
- Fast and accurate installation
- Minimal door prep saves time and money
- Outside trims are easily changed or rekeyed without removing device from door
- Security enhanced by stainless steel rod covers, standard

Features

- Patented mounting plate and strike locator system replaces paper templates
- Stainless steel deadlocking, Pullman-type top latch
- Hardened steel bottom drop bolt with dust proof strike
- ADA ramped bottom bolt cover
- 1/8 turn hex or cylinder dogging
- All exposed surfaces are finished over stainless steel with PVD, an environmentally friendly finishing process
- Heavy-duty angled end-cap deflects damage away from device
- Handed - field reversible
- Field sizeable

Mechanical Options

- F - 3-Hour Fire Rated
- AM - Anti-Microbial Coating
- HD - Hex Dogging (Std.)
- CD - Cylinder Dogging
- LD - Less Dogging
- EC1 - Heavy Duty End-cap (Std.)
- EC2 - Flush End-cap
- 36 - 36" Door Widths (Std.)
- 48 - 48" Door Widths
- 84 - 84" Door Height (Std.)
- 96 - 85" to 96" Door Height
- 120 - 97" to 120" Door Height

Electrical Options

- Electric Unlock (EU2W)
 - Request to Exit Weatherized (EXxW)
 - Request to Exit Weatherized for High Voltage (EXVxW)
- Refer to Electrified Options section for more information

Accessories

- GB5 - Glass Bead Kit - 7' Door Height (84")
- GB9 - Glass Bead Kit - 8' Door Height (85" - 96")
- GB13 - Glass Bead Kit - 10' Door Height (97" - 120")
- SN1 - Sex Nut Kit (2 per package)
- SSK- Security Torx Screw Kit
- Trim Functions (see Outside Trims)
- Electrified Options (see Electrified Options)

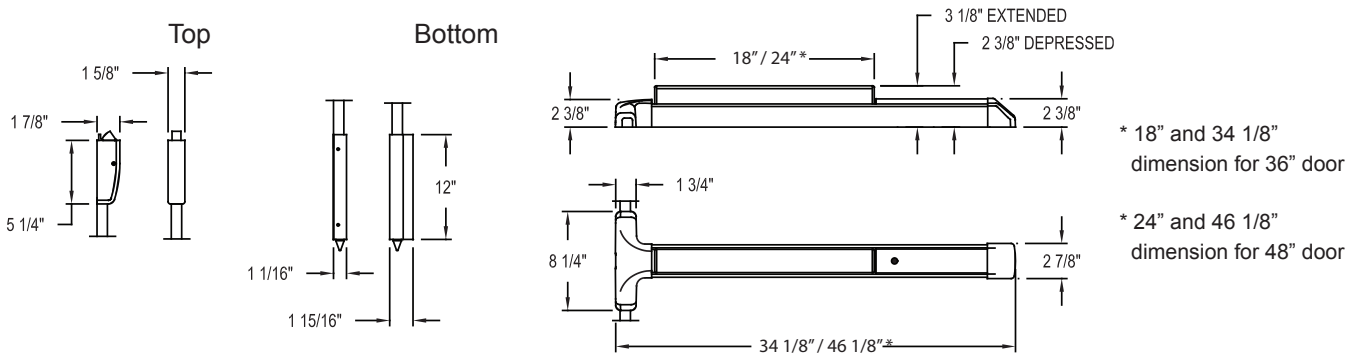
Technical Information

- Door Types - Wood, Hollow Metal, Fiberglass or Aluminum
- Door Thickness - Fits standard 1-3/4" - 2-1/4" doors (for other door thicknesses contact factory)
- Minimum Stile - 2" with standard 96 strike
- Fasteners - Machine and Self-Drilling Screws standard

Finishes

605 / US3	Polished Brass	628 / US28	Aluminum Satin	693 / SPBLK	Black, Painted
606 / US4	Brushed Brass	629 / US32	Polished Stainless Steel	695 / SP 313	Dark Bronze, Painted
611 / US9	Polished Bronze	630 / US32D	Brushed Stainless Steel		
612 / US10	Brushed Bronze				
613 / US10B	Oil Rubbed Bronze				

Dimensions



Listings and Approvals



UL Listed
Panic Hardware



UL Listed Fire Exit Hardware for 3 hours, maximum 4'x10' single doors and 8'x10' pairs of doors



Meets ADA requirements



ULC 97, Standard 7-2 and UL10C for positive pressure



ANSI/BHMA certified A156.3



Meets NFPA 80 & 101 for Life Safety



California State Fire Marshall - 4140-0127:105 and 3725-0127:108

MIL-STD 810F (G), Method 509.4 (Salt Fog Test)

MIL-STD 810F (G), Method 506.4 (Driving Rain), Procedure 1

Detex Limited Warranty

10 Year Mechanical/3 year Electrical Limited Manufacturer's Warranty

Where Trust is Built™
DETEX®
Life Safety and Security Door Hardware

Detex Corporation
302 Detex Drive
New Braunfels, Texas 78130-3045 USA

PH. (830) 629-2900

(800) 729-3839

FAX (830) 620-6711

(800) 653-3839

<http://www.detex.com>

USA Sales:

marketing@detex.com

International Sales:

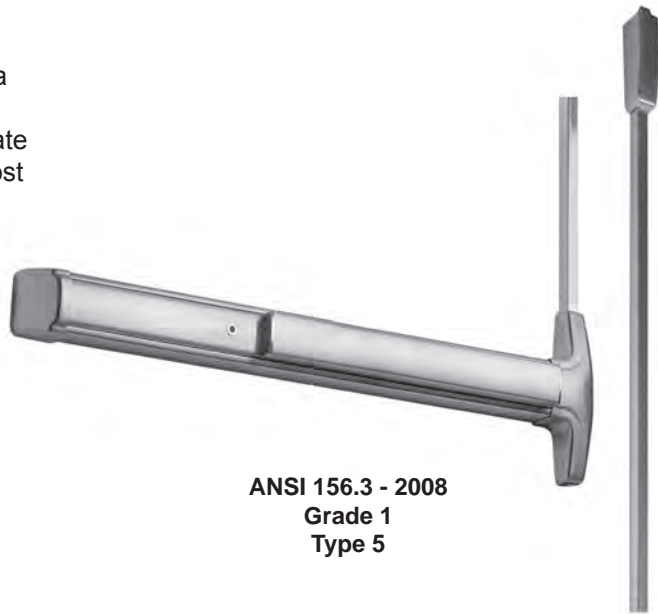
export@detex.com



51 SERIES

Narrow Stile Surface Vertical Top Rod Only Device

The 51 Series **surface vertical rod exit device** is super-heavy-duty **panic and fire exit hardware** for use on all types of narrow stile double doors without a mullion. All 51 Series Top Rod Only exit devices are supplied with a rod cover. The patented mounting plate and strike locator system ensures the easiest and most accurate installation of panic hardware available.



ANSI 156.3 - 2008
Grade 1
Type 5

Benefits

- Tough and durable design for years of trouble-free service in high-use, high-abuse environments
- Fast and accurate installation
- Minimal door prep saves time and money
- Outside trims are easily changed or rekeyed without removing device from door
- Security enhanced by stainless steel rod covers, standard

Features

- Patented mounting plate and strike locator system replaces paper templates
- Stainless steel deadlocking, Pullman-type top latch
- 1/8 turn hex or cylinder dogging
- All exposed surfaces are finished over stainless steel with PVD, an environmentally friendly finishing process
- Heavy-duty angled end-cap deflects damage away from device
- Handed - field reversible
- Field sizeable

Mechanical Options

- F - 3-Hour Fire Rated
- AM - Anti-Microbial Coating
- HD - Hex Dogging (Std.)
- CD - Cylinder Dogging
- LD - Less Dogging
- EC1 - Heavy Duty End-cap (Std.)
- EC2 - Flush End-cap
- 36 - 36" Door Widths (Std.)
- 48 - 48" Door Widths
- 84 - 84" Door Height (Std.)
- 96 - 85" to 96" Door Height
- 120 - 97" to 120" Door Height

Electrical Options

- Exit Alarm (EA)
- Electric Dogging (ED)
- Electric Latch Retraction (ER)
- Delayed Egress - Self Contained (EE)
- Delayed Egress with Latch Retraction (EExER)
- Electric Unlock (EU)
- Request to Exit (EX)
- Request to Exit for High Voltage (EXV)
- Request to Exit Weatherized (EXxW)
- Request to Exit Weatherized for High Voltage (EXVxW)

Refer to Electrified Options section for more information



Accessories

- GB6 - Glass Bead Kit - 7' Door Height (84")
- GB10 - Glass Bead Kit - 8' Door Height (85" - 96")
- GB14 - Glass Bead Kit - 10' Door Height (97" - 120")
- SN1 - Sex Nut Kit (2 per package)
- SSK- Security Torx Screw Kit
- Trim Functions (see Outside Trims)
- Electrified Options (see Electrified Options)

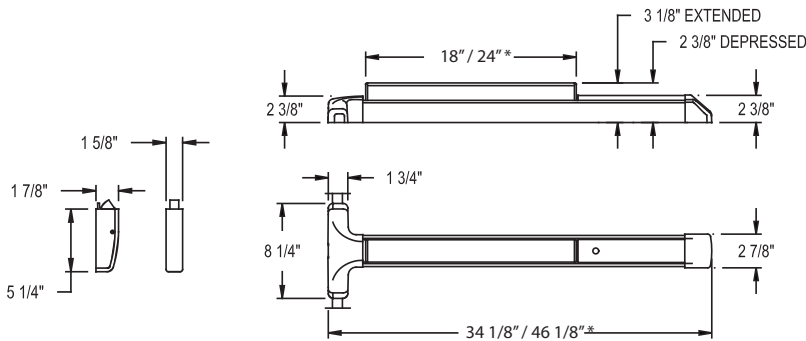
Technical Information

- Door Types - Wood, Hollow Metal, Fiberglass or Aluminum
- Door Thickness - Fits standard 1-3/4" - 2-1/4" doors (for other door thicknesses contact factory)
- Minimum Stile - 2" with standard 96 strike
- Fasteners - Machine and Self-Drilling Screws standard

Finishes

605 / US3	Polished Brass	628 / US28	Aluminum Satin	693 / SPBLK	Black, Painted
606 / US4	Brushed Brass	629 / US32	Polished Stainless Steel	695 / SP 313	Dark Bronze, Painted
611 / US9	Polished Bronze	630 / US32D	Brushed Stainless Steel		
612 / US10	Brushed Bronze				
613 / US10B	Oil Rubbed Bronze				

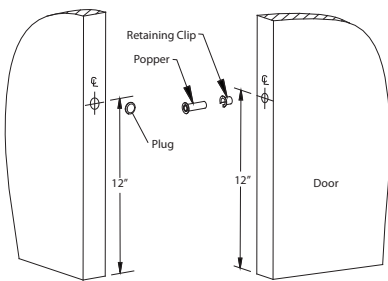
Dimensions



* 18" and 34 1/8" dimension for 36" door

* 24" and 46 1/8" dimension for 48" door

Popper Detail for Fire Rated Device



Listings and Approvals



UL Listed
Panic Hardware

LISTED

UL Listed Fire Exit Hardware
for 3 hours, maximum
4'x10' single doors and
8'x10' pairs of doors



LISTED



Meets ADA requirements



ULC 97, Standard 7-2 and
UL10C for positive pressure



ANSI/BHMA certified A156.3



Meets NFPA 80 & 101
for Life Safety



California State Fire Marshall -
4140-0127:105 and
3725-0127:108

Detex Limited Warranty

10 Year Mechanical/3 year Electrical
Limited Manufacturer's Warranty

Where Trust is Built™
DETEX®
Life Safety and Security Door Hardware

Detex Corporation
302 Detex Drive
New Braunfels, Texas 78130-3045 USA

PH. (830) 629-2900

(800) 729-3839

FAX (830) 620-6711

(800) 653-3839

<http://www.detex.com>

USA Sales:

marketing@detex.com

International Sales:

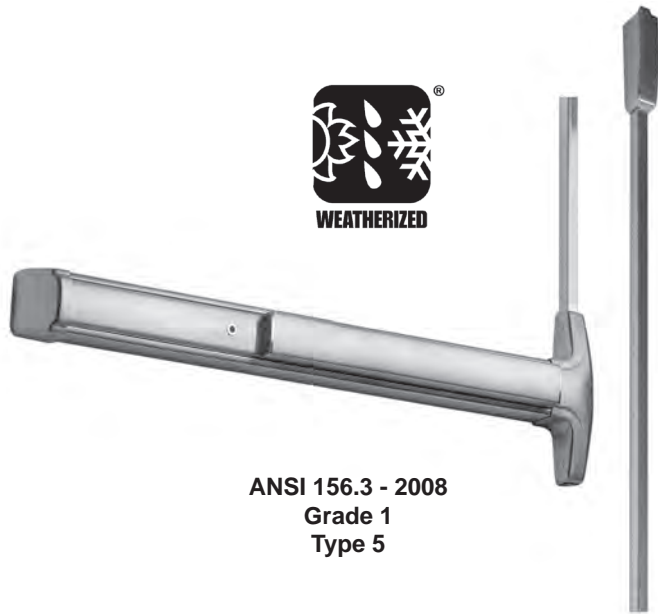
export@detex.com



51xW SERIES

Weatherized Narrow Stile Surface Vertical Top Rod Only Device

The 51xW Series weatherized **surface vertical rod exit device** is super-heavy-duty **panic and fire exit hardware** for use on all types of narrow stile double doors without a mullion. All 51xW Series Top Rod Only exit devices are supplied with a rod cover. The patented mounting plate and strike locator system ensures the easiest and most accurate installation of panic hardware available. In addition to listing as UL panic and fire exit hardware device, this device conforms to UL1034-34 Temperature Section 34, UL1034-54 Dust Section 54, MIL-STD 810F, Method 506.4 (driving rain test); MIL-STD 810F, Method 509.4 (salt fog test) and UBC standard 7-2 (positive pressure).



ANSI 156.3 - 2008
Grade 1
Type 5

Benefits

- Tough and durable design for years of trouble-free service in high-use, high-abuse environments
- Fast and accurate installation
- Minimal door prep saves time and money
- Outside trims are easily changed or rekeyed without removing device from door
- Security enhanced by stainless steel rod covers, standard

Features

- Patented mounting plate and strike locator system replaces paper templates
- Stainless steel deadlocking, Pullman-type top latch
- 1/8 turn hex or cylinder dogging
- All exposed surfaces are finished over stainless steel with PVD, an environmentally friendly finishing process
- Heavy-duty angled end-cap deflects damage away from device
- Handed - field reversible
- Field sizeable

Mechanical Options

- F - 3-Hour Fire Rated
- AM - Anti-Microbial Coating
- HD - Hex Dogging (Std.)
- CD - Cylinder Dogging
- LD - Less Dogging
- EC1 - Heavy Duty End-cap (Std.)
- EC2 - Flush End-cap
- 36 - 36" Door Widths (Std.)
- 48 - 48" Door Widths
- 84 - 84" Door Height (Std.)
- 96 - 85" to 96" Door Height
- 120 - 97" to 120" Door Height

Electrical Options

- Electric Unlock (EU2W)
 - Request to Exit Weatherized (EXxW)
 - Request to Exit Weatherized for High Voltage (EXVxW)
- Refer to Electrified Options section for more information

Accessories

- GB6 - Glass Bead Kit - 7' Door Height (84")
- GB10 - Glass Bead Kit - 8' Door Height (85" - 96")
- GB14 - Glass Bead Kit - 10' Door Height (97" - 120")
- SN1 - Sex Nut Kit (2 per package)
- SSK- Security Torx Screw Kit
- Trim Functions (see Outside Trims)
- Electrified Options (see Electrified Options)

Technical Information

- Door Types - Wood, Hollow Metal, Fiberglass or Aluminum
- Door Thickness - Fits standard 1-3/4" - 2-1/4" doors (for other door thicknesses contact factory)
- Minimum Stile - 2" with standard 96 strike
- Fasteners - Machine and Self-Drilling Screws standard

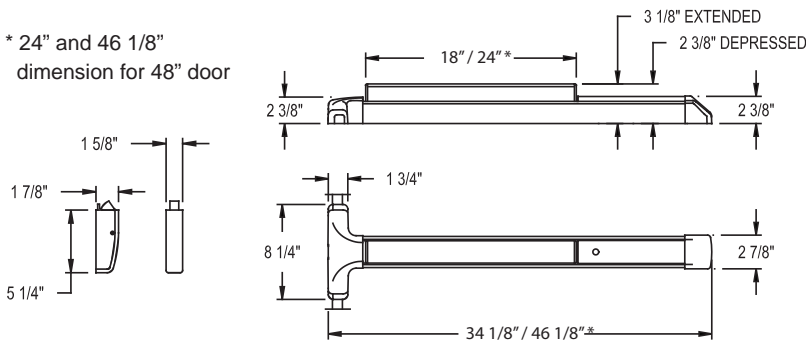
Finishes

605 / US3 Polished Brass	628 / US28 Aluminum Satin	693 / SPBLK Black, Painted
606 / US4 Brushed Brass	629 / US32 Polished Stainless Steel	695 / SP 313 Dark Bronze, Painted
611 / US9 Polished Bronze	630 / US32D Brushed Stainless Steel	
612 / US10 Brushed Bronze		
613 / US10B Oil Rubbed Bronze		

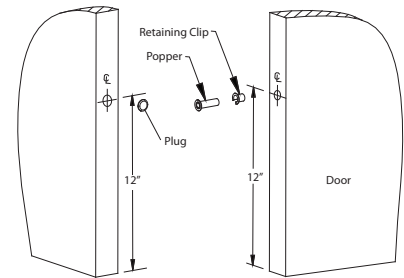
Dimensions

* 18" and 34 1/8" dimension for 36" door

* 24" and 46 1/8" dimension for 48" door



Popper Detail for Fire Rated Device



Listings and Approvals



UL Listed
Panic Hardware



UL Listed Fire Exit Hardware for 3 hours, maximum
4'x10' single doors and
8'x10' pairs of doors



Meets ADA requirements



UBC 97, Standard 7-2 and
UL10C for positive pressure



ANSI/BHMA certified A156.3



Meets NFPA 80 & 101
for Life Safety



California State Fire Marshall -
4140-0127:105 and
3725-0127:108

MIL-STD 810F (G), Method 509.4
(Salt Fog Test)

MIL-STD 810F (G), Method 506.4
(Driving Rain), Procedure 1

Detex Limited Warranty

10 Year Mechanical/3 year Electrical
Limited Manufacturer's Warranty



Detex Corporation
302 Detex Drive
New Braunfels, Texas 78130-3045 USA

PH. (830) 629-2900
(800) 729-3839
FAX (830) 620-6711
(800) 653-3839

<http://www.detex.com>
USA Sales:
marketing@detex.com
International Sales:
export@detex.com



60 SERIES

61 SERIES (Top Rod Only)

Concealed Vertical Rod Device - Narrow Stile Aluminum Door

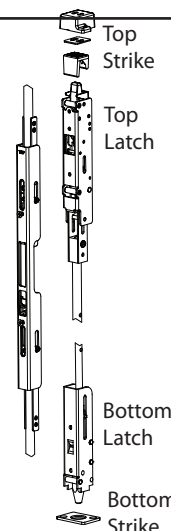
The 60 and 61 Series **concealed vertical rod exit device** is super-heavy-duty **panic and fire exit hardware** for use on all types of narrow stile aluminum doors without a mullion. The patented mounting plate system ensures the easiest and most accurate installation of panic hardware available.

Note: For Top Rod Only - Specify 61 Series



60 Series Shown - (Top and Bottom Latch)

ANSI 156.3 - 2008
Grade 1
Type 6



Benefits

- Tough and durable design for years of trouble-free service in high-use, high-abuse environments
- Minimal door prep saves time and money
- Aesthetically pleasing options to meet various applications including:
60/61 CVR Narrow Stile Alum. Door
62/63 CVR Narrow Stile H.M. Door
70/71 CVR Wide Stile Wood Door
80/81 CVR Wide Stile H.M. Door
82/83 CVR Wide Stile Alum. Door
- Fast and accurate installation
- Except for 03R, outside trims are easily changed or rekeyed without removing device from door

Features

- 6-position multi-step action in top latch keeps top and bottom bolts retracted until door closes and provides more consistent re-latching and security to door
- Top strike fully adjustable both vertically and to accommodate a variety of varying weather strip thicknesses
- Top strike both secures the door and re-engages the latchbolts
- Patented deadlocking of top (60 and 61 Series) and bottom bolt (60 Series) assemblies
- Durable steel bottom drop bolt (60 Series)
- Rods are easily adjustable with rods installed in door
- Angled end-cap deflects damage away from device
- Handed - field reversible
- Field sizeable
- 1/8 turn dogging

Mechanical Options

- F - 3-Hour Fire Rated without astragal up to 10 foot (steel) door
- AM - Anti-Microbial Coating
- HD - Hex Dogging (Std.)
- CD - Cylinder Dogging
- SLR - Silencer
- 30 - Fits 30" Door Width - limited electrical options
- 36 - Fits 36" Door Widths (Std.)
- 48 - Fits 48" Door Widths
- EC1 - Ramped Endcap - Heavy duty (standard on 630, 606, 612, 613, 605, 611 & 629 finishes only)
- EC2 - Flush Endcap (standard on 628, 693 & 695 Finishes only), specify when used on 2" - 3-1/2" stiles

Electrical Options

- Exit Alarm (EA)
- Electric Dogging (ED)
- Electric Latch Retraction (ER)
- Delayed Egress Self-Contained (EE)
- Request to Exit (EX)
- Request to Exit for High Voltage (EXV)
- Electric Delayed Egress x Latch Retraction (EEExER)

Refer to Electrified Options section for more information



Accessories

- SSK - Security Torx Screw Kit

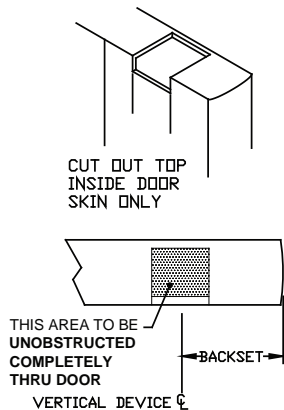
Technical Information

- Door Types - Aluminum/ Aluminum Channel FRP
- Door Stile - Fits minimum 2"
- For 2" - 3-1/2" door stiles, specify EC2
- Door Thickness - Fits standard 1-3/4" - 2 1/4" (for other door thicknesses contact factory)
- Fasteners - Machine and sheet metal screws supplied standard
- Rail is heavy ribbed aluminum extrusion

Finishes

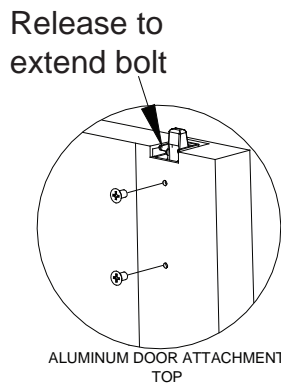
605 / US3	Polished Brass	628 / US28	Satin Aluminum	693 / SPBLK	Black, painted
606 / US4	Brushed Brass	629 / US32	Polished Stainless Steel	695 / SP313	Dark Bronze, painted
611 / US9	Polished Bronze	630 / US32D	Brushed Stainless Steel		
612 / US10	Brushed Bronze				
613 / US10B	Oil Rubbed Bronze				

Top & Bottom Latch Door Prep for 60 & 61 Series

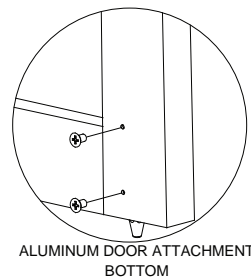


LATCH MOUNTING TOP & BOTTOM

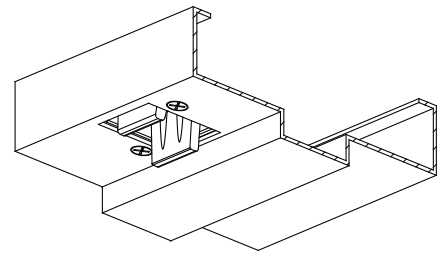
Top Latch Installation for 60 & 61 Series



Bottom Latch Installation for 60 Series Only



Top Strike Installation for 60 & 61 Series



Detex Limited Warranty

10 Year Mechanical/3 year Electrical Limited Manufacturer's Warranty

Listings and Approvals

- UL Listed Panic Hardware
- UL Listed Fire Exit Hardware UL 10 B/C 8'x10' pairs of doors
- Meets ADA requirements
- UBC 97, Standard 7-2 and UL10C for positive pressure
- ANSI/BHMA certified A156.3
- Meets NFPA 80 & 101 for Life Safety



Detex Corporation
 302 Detex Drive
 New Braunfels, Texas 78130-3045 USA
 PH. (830) 629-2900
 (800) 729-3839
 FAX (830) 620-6711
 (800) 653-3839
<http://www.detex.com>
 USA Sales:
marketing@detex.com
 International Sales:
export@detex.com



62 SERIES

63 SERIES (Top Rod Only)

Concealed Vertical Rod Device - Narrow Stile Hollow Metal Door

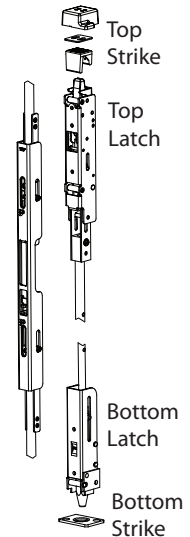
The 62 and 63 Series **concealed vertical rod exit device** is super-heavy-duty **panic and fire exit hardware** for use on all types of narrow stile hollow metal doors without a mullion. The patented mounting plate system ensures the easiest and most accurate installation of panic hardware available.

Note: For Top Rod Only -
Specify 63 Series



62 Series Shown -
(Top and Bottom Bolt)

ANSI 156.3 - 2008
Grade 1
Type 6



Benefits

- Tough and durable design for years of trouble-free service in high-use, high-abuse environments
- Minimal door prep saves time and money
- Aesthetically pleasing options to meet various applications including:
60/61 CVR Narrow Stile Alum. Door
62/63 CVR Narrow Stile H.M. Door
70/71 CVR Wide Stile Wood Door
80/81 CVR Wide Stile H.M. Door
82/83 CVR Wide Stile Alum. Door
- Fast and accurate installation
- Except for 03R, outside trims are easily changed or rekeyed without removing device from door

Features

- 6-position multi-step action in top latch keeps top and bottom bolts retracted until door closes and provides more consistent re-latching and security to door
- Top strike fully adjustable both vertically and to accommodate a variety of varying weather strip thicknesses
- Top strike both secures the door and re-engages the latchbolts
- Patented deadlocking of top (62 and 63 Series) and bottom bolt (62 Series) assemblies
- Durable steel bottom drop bolt (62 Series)
- Rods are easily adjustable with rods installed in door
- Angled end-cap deflects damage away from device
- Handed - field reversible
- Field sizeable
- 1/8 turn dogging

Mechanical Options

- F - 3-Hour Fire Rated without astragal up to 10 foot (steel) door
- AM - Anti-Microbial Coating
- HD - Hex Dogging (Std.)
- CD - Cylinder Dogging
- SLR - Silencer
- 30 - Fits 30" Door Width - limited electrical options
- 36 - Fits 36" Door Widths (Std.)
- 48 - Fits 48" Door Widths
- EC1 - Ramped Endcap - Heavy duty (standard on 630, 606, 612, 613, 605, 611 & 629 finishes only)
- EC2 - Flush Endcap (standard on 628, 693 & 695 Finishes only)

Electrical Options

- Exit Alarm (EA)
- Electric Dogging (ED)
- Electric Latch Retraction (ER)
- Delayed Egress Self-Contained (EE)
- Request to Exit (EX)
- Request to Exit for High Voltage (EXV)
- Electric Delayed Egress x Latch Retraction (EExER)

Refer to Electrified Options section for more information



Accessories

- SSK - Security Torx Screw Kit

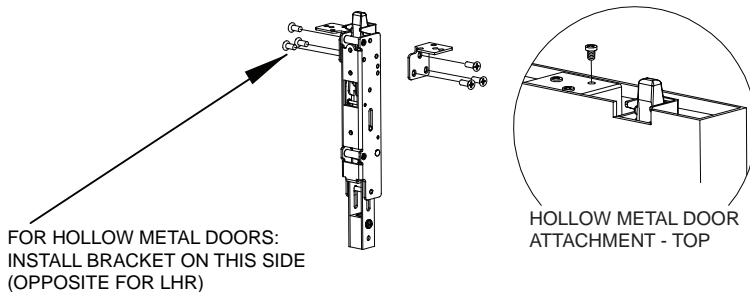
Technical Information

- Door Types - Hollow Metal
- Door Stile - Fits minimum 4-1/2"
- Door Thickness - Fits standard 1-3/4" - 2 1/4" (for other door thicknesses contact factory)
- Fasteners - Machine and sheet metal screws supplied standard
- Rail is heavy ribbed aluminum extrusion

Finishes

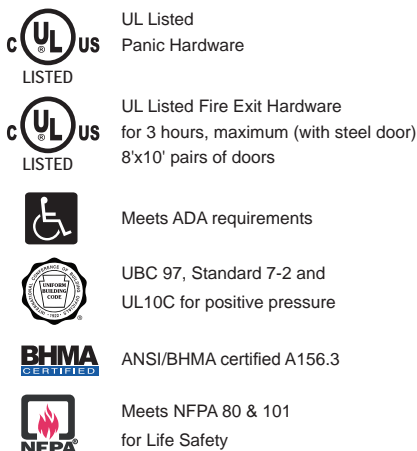
605 / US3	Polished Brass	628 / US28	Satin Aluminum	693 / SPBLK	Black, painted
606 / US4	Brushed Brass	629 / US32	Polished Stainless Steel	695 / SP313	Dark Bronze, painted
611 / US9	Polished Bronze	630 / US32D	Brushed Stainless Steel		
612 / US10	Brushed Bronze				
613 / US10B	Oil Rubbed Bronze				

Top Latch Installation for 62 & 63 Series



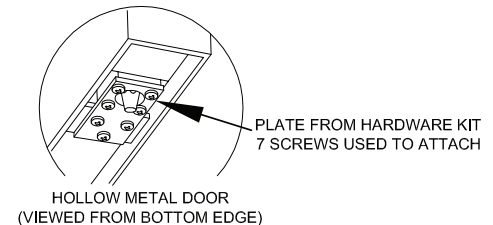
FOR **FIRE RATED** HOLLOW METAL DOORS:
INSTALL BRACKETS ON BOTH SIDES

Listings and Approvals



Bottom Latch Installation for 62 Series Only

Note: Bottom bracket may slide up on rod during assembly. It may be necessary to pull it towards bottom edge of door with a simple wire hook.



Detex Limited Warranty

10 Year Mechanical/3 year Electrical
Limited Manufacturer's Warranty

Where Trust is Built™
DETEX®
Life Safety and Security Door Hardware

Detex Corporation
302 Detex Drive
New Braunfels, Texas 78130-3045 USA
PH. (830) 629-2900
(800) 729-3839
FAX (830) 620-6711
(800) 653-3839
<http://www.detex.com>
USA Sales:
marketing@detex.com
International Sales:
export@detex.com



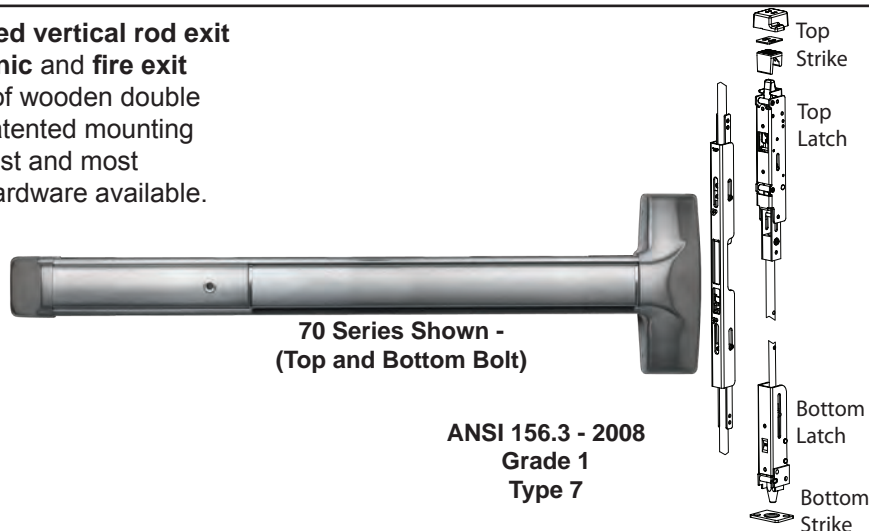
70 SERIES

71 SERIES (Top Rod Only)

Concealed Vertical Rod Device - Wide Stile Wood Doors

The 70 and 71 Series **concealed vertical rod exit device** is super-heavy-duty **panic** and **fire exit hardware** for use on all types of wooden double doors without a mullion. The patented mounting plate system ensures the easiest and most accurate installation of panic hardware available.

Note: For Top Rod Only -
Specify 71 Series



Benefits

- Tough and durable design for years of trouble-free service in high-use, high-abuse environments
- Minimal door prep saves time and money
- Aesthetically pleasing options to meet various applications including:
60/61 CVR Narrow Stile Alum. Door
62/63 CVR Narrow Stile H.M. Door
70/71 CVR Wide Stile Wood Door
80/81 CVR Wide Stile H.M. Door
82/83 CVR Wide Stile Alum. Door
- Fast and accurate installation
- Except for 03WSV, outside trims are easily changed or rekeyed without removing device from door

Features

- 6-position multi-step action in top latch keeps top and bottom bolts retracted until door closes and provides more consistent re-latching and security to door
- Top strike fully adjustable both vertically and to accommodate a variety of varying weather strip thicknesses
- Top strike both secures the door and re-engages the latchbolts
- Patented deadlocking of top (70 and 71 Series) and bottom (70 Series) bolt assemblies
- Durable steel bottom drop bolt (70 Series)
- Rods are easily adjustable with rods installed in door
- Angled end-cap deflects damage away from device
- Handed - field reversible
- Field sizeable
- 1/8 turn dogging

Mechanical Options

- F - 90 Minute Fire Rated without astragal up to 10 foot door
- AM - Anti-Microbial Coating
- HD - Hex Dogging (Std.)
- CD - Cylinder Dogging
- LD - Less Dogging
- SLR - Silencer
- 30 - Fits 30" Door Width - limited electrical options
- 36 - Fits 36" Door Widths (Std.)
- 48 - Fits 48" Door Widths
- EC1 - Ramped Endcap - Heavy duty (standard on 630, 606, 612, 613, 605, 611 & 629 finishes only)
- EC2 - Flush Endcap (standard on 628, 693 & 695 Finishes only)

Electrical Options

- Exit Alarm (EA)
- Electric Dogging (ED)
- Electric Latch Retraction (ER)
- Delayed Egress Self-Contained (EE)
- Request to Exit (EX)
- Request to Exit for High Voltage (EXV)
- Electric Delayed Egress x Latch Retraction (EEExER)

Refer to Electrified Options section for more information



Accessories

- SSK - Security Torx Screw Kit

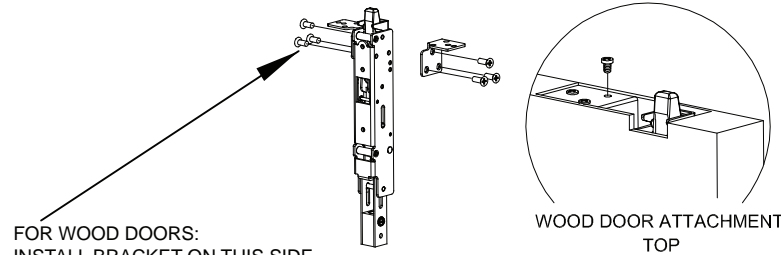
Technical Information

- Door Types - Wood
- Door Stile - Fits minimum 5"
- Door Thickness - Fits standard 1-3/4" - 2 1/4" (for other door thicknesses contact factory)
NOTE: For secure installation, Detex recommends minimum 2" thick doors
- Fasteners - Wood screws supplied standard
- Rail is heavy ribbed aluminum extrusion

Finishes

605 / US3	Polished Brass	628 / US28	Satin Aluminum	693 / SPBLK	Black, painted
606 / US4	Brushed Brass	629 / US32	Polished Stainless Steel	695 / SP313	Dark Bronze, painted
611 / US9	Polished Bronze	630 / US32D	Brushed Stainless Steel		
612 / US10	Brushed Bronze				
613 / US10B	Oil Rubbed Bronze				

Top Latch Installation for 70 & 71 Series

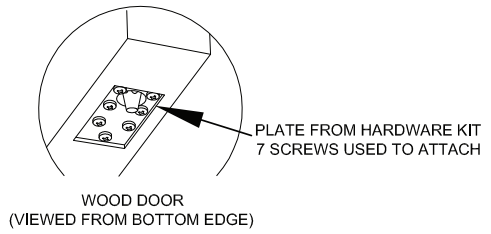


FOR WOOD DOORS:
INSTALL BRACKET ON THIS SIDE
(OPPOSITE FOR LHR)

FOR FIRE RATED WOOD DOORS:
INSTALL BRACKETS ON BOTH SIDES

Bottom Latch Installation for 70 Series Only

Note: Bottom bracket may slide up on rod during assembly. It may be necessary to pull it towards bottom edge of door with a simple wire hook.



WOOD DOOR
(VIEWED FROM BOTTOM EDGE)

Listings and Approvals

- UL Listed Panic Hardware LISTED
- UL Listed Fire Exit Hardware for 1-1/2 hours, maximum (wood) 8'x10' pairs of doors LISTED
- Meets ADA requirements
- UBC 97, Standard 7-2 and UL10C for positive pressure
- ANSI/BHMA certified A156.3
- Meets NFPA 80 & 101 for Life Safety

Detex Limited Warranty

10 Year Mechanical/3 year Electrical Limited Manufacturer's Warranty



Detex Corporation
302 Detex Drive
New Braunfels, Texas 78130-3045 USA
PH. (830) 629-2900
(800) 729-3839
FAX (830) 620-6711
(800) 653-3839
<http://www.detex.com>
USA Sales:
marketing@detex.com
International Sales:
export@detex.com



80 SERIES

81 SERIES (Top Rod Only)

Concealed Vertical Rod Device - Wide Stile Hollow Metal Door

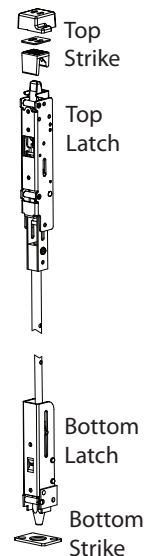
Designed to enhance the architectural aesthetics of any décor, the 80 and 81 Series **concealed vertical rod exit device** is also super-heavy-duty **panic and fire exit hardware** for use on all types of hollow metal doors without a mullion. The patented mounting plate system ensures the easiest and most accurate installation of panic hardware available.

Note: For Top Rod Only - Specify 81 Series



80 Series Shown - (Top and Bottom Bolt)

ANSI 156.3 - 2008
Grade 1
Type 8



Benefits

- Tough and durable design for years of trouble-free service in high-use, high-abuse environments
- Minimal door prep saves time and money
- Aesthetically pleasing options to meet various applications including:
60/61 CVR Narrow Stile Alum. Door
62/63 CVR Narrow Stile H.M. Door
70/71 CVR Wide Stile Wood Door
80/81 CVR Wide Stile H.M. Door
82/83 CVR Wide Stile Alum. Door
- Fast and accurate installation
- Except for 03WSV, outside trims are easily changed or rekeyed without removing device from door

Features

- 6-position multi-step action in top latch keeps top and bottom bolts retracted until door closes and provides more consistent re-latching and security to door
- Top strike fully adjustable both vertically and to accommodate a variety of varying weather strip thicknesses
- Top strike both secures the door and re-engages the latchbolts
- Patented deadlocking of top (80 and 81 Series) and bottom bolt (80 Series) assemblies
- Durable steel bottom drop bolt (80 Series)
- Rods are easily adjustable with rods installed in door
- Angled end-cap deflects damage away from device
- Handed - field reversible
- Field sizeable
- 1/8 turn dogging

Mechanical Options

- F - 3-Hour Fire Rating without astragal up to 10 foot (steel) door
- AM - Anti-Microbial Coating
- HD - Hex Dogging (Std.)
- CD - Cylinder Dogging
- SLR - Silencer
- 30 - Fits 30" Door Width - limited electrical options
- 36 - Fits 36" Door Widths (Std.)
- 48 - Fits 48" Door Widths
- EC1 - Ramped Endcap - Heavy duty (standard on 630, 606, 612, 613, 605, 611 & 629 finishes only)
- EC2 - Flush Endcap (standard on 628, 693 & 695 Finishes only)

Electrical Options

- Exit Alarm (EA)
- Electric Dogging (ED)
- Electric Latch Retraction (ER)
- Delayed Egress Self-Contained (EE)
- Request to Exit (EX)
- Request to Exit for High Voltage (EXV)
- Electric Delayed Egress x Latch Retraction (EEExER)

Refer to Electrified Options section for more information



Accessories

- SSK4- Security Torx Screw Kit
- Trim Functions (see Outside Trims)
- Electrified Options (see Electrified Options)

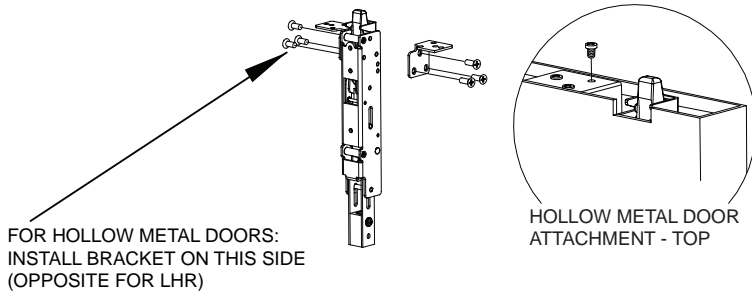
Technical Information

- Door Types - Hollow Metal
- Door Thickness - Fits standard 1-3/4" - 2-1/4" (for other door thicknesses contact factory)
- Minimum Stile - 5"
- Fasteners - Machine and Self-Drilling Screws standard
- Rail is heavy ribbed aluminum extrusion

Finishes

605 / US3	Polished Brass	628 / US28	Satin Aluminum	693 / SPBLK	Black, painted
606 / US4	Brushed Brass	629 / US32	Polished Stainless Steel	695 / SP313	Dark Bronze, painted
611 / US9	Polished Bronze				
612 / US10	Brushed Bronze	630 / US32D	Brushed Stainless Steel		
613 / US10B	Oil Rubbed Bronze				

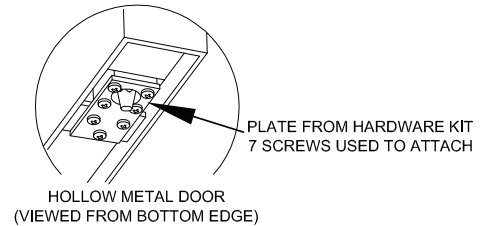
Top Latch Installation for 80 & 81 Series



FOR **FIRE RATED** HOLLOW METAL DOORS: INSTALL BRACKETS ON BOTH SIDES

Bottom Latch Installation for 80 Series Only

Note: Bottom bracket may slide up on rod during assembly. It may be necessary to pull it towards bottom edge of door with a simple wire hook.



Listings and Approvals

- UL Listed Panic Hardware LISTED
- UL Listed Fire Exit Hardware for 3 hours, maximum 8'x10' pairs of doors LISTED
- Meets ADA requirements
- UBC 97, Standard 7-2 and UL10C for positive pressure
- ANSI/BHMA certified A156.3
- Meets NFPA 80 & 101 for Life Safety

Detex Limited Warranty

10 Year Mechanical/3 year Electrical Limited Manufacturer's Warranty



Detex Corporation
302 Detex Drive
New Braunfels, Texas 78130-3045 USA
PH. (830) 629-2900
(800) 729-3839
FAX (830) 620-6711
(800) 653-3839
<http://www.detex.com>
USA Sales: marketing@detex.com
International Sales: export@detex.com



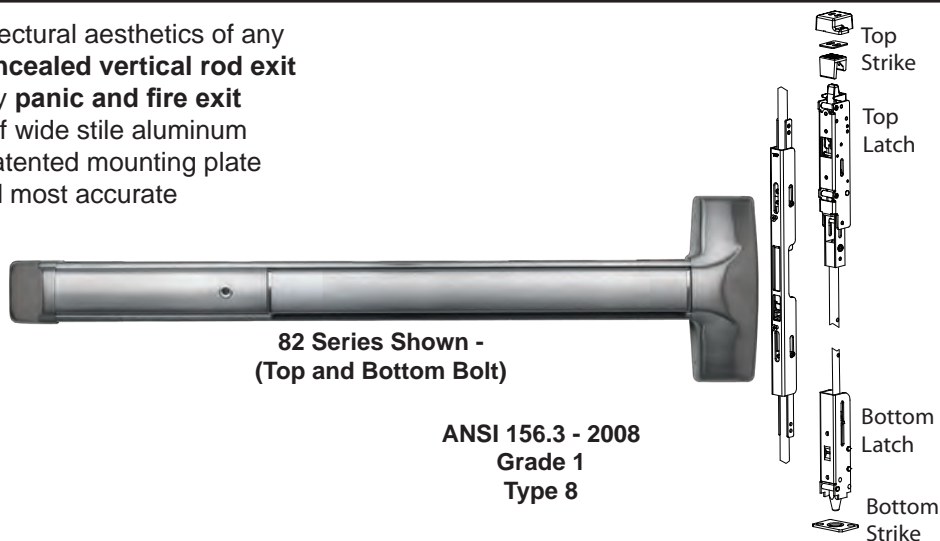
82 SERIES

83 SERIES (Top Rod Only)

Concealed Vertical Rod Device - Wide Stile Aluminum Door

Designed to enhance the architectural aesthetics of any décor, the 82 and 83 Series **concealed vertical rod exit device** is also super-heavy-duty **panic and fire exit hardware** for use on all types of wide stile aluminum doors without a mullion. The patented mounting plate system ensures the easiest and most accurate installation of panic hardware available.

Note: For Top Rod Only - Specify 83 Series



82 Series Shown -
(Top and Bottom Bolt)

ANSI 156.3 - 2008
Grade 1
Type 8

Benefits

- Tough and durable design for years of trouble-free service in high-use, high-abuse environments
- Minimal door prep saves time and money
- Aesthetically pleasing options to meet various applications including:
60/61 CVR Narrow Stile Alum. Door
62/63 CVR Narrow Stile H.M. Door
70/71 CVR Wide Stile Wood Door
80/81 CVR Wide Stile H.M. Door
82/83 CVR Wide Stile Alum. Door
- Fast and accurate installation
- Except for 03WSV, outside trims are easily changed or rekeyed without removing device from door

Features

- 6-position multi-step action in top latch keeps top and bottom bolts retracted until door closes and provides more consistent re-latching and security to door
- Top strike fully adjustable both vertically and to accommodate a variety of varying weather strip thicknesses
- Top strike both secures the door and re-engages the latchbolts
- Patented deadlocking of top (82 and 83 Series) and bottom bolt (82 Series) assemblies
- Durable steel bottom drop bolt (82 Series)
- Rods are easily adjustable with rods installed in door
- Angled end-cap deflects damage away from device
- Handed - field reversible
- Field sizeable
- 1/8 turn dogging

Mechanical Options

- F - 3-Hour Fire Rated without astragal up to 10 foot (steel) door
- AM - Anti-Microbial Coating
- HD - Hex Dogging (Std.)
- CD - Cylinder Dogging
- SLR - Silencer
- 30 - Fits 30" Door Width - limited electrical options
- 36 - Fits 36" Door Widths (Std.)
- 48 - Fits 48" Door Widths
- EC1 - Ramped Endcap - Heavy duty (standard on 630, 606, 612, 613, 605, 611 & 629 finishes only)
- EC2 - Flush Endcap (standard on 628, 693 & 695 Finishes only)

Electrical Options

- Exit Alarm (EA)
- Electric Dogging (ED)
- Electric Latch Retraction (ER)
- Delayed Egress Self-Contained (EE)
- Request to Exit (EX)
- Request to Exit for High Voltage (EXV)
- Electric Delayed Egress x Latch Retraction (EEExER)

Refer to Electrified Options section for more information



Accessories

- SSK4- Security Torx Screw Kit
- Trim Functions (see Outside Trims)
- Electrified Options (see Electrified Options)

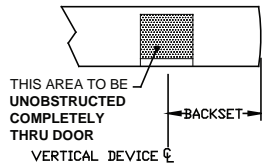
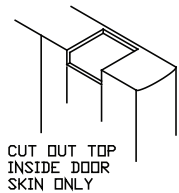
Technical Information

- Door Types - Aluminum/ Aluminum Channel FRP
- Door Thickness - Fits standard 1-3/4" - 2-1/4" (for other door thicknesses contact factory)
- Door Stile - Fits minimum 4-1/2"
- Fasteners - Machine and Self-Drilling Screws standard
- Rail is heavy ribbed aluminum extrusion

Finishes

605 / US3	Polished Brass	628 / US28	Satin Aluminum	693 / SPBLK	Black, painted
606 / US4	Brushed Brass	629 / US32	Polished Stainless Steel	695 / SP313	Dark Bronze, painted
611 / US9	Polished Bronze	630 / US32D	Brushed Stainless Steel		
612 / US10	Brushed Bronze				
613 / US10B	Oil Rubbed Bronze				

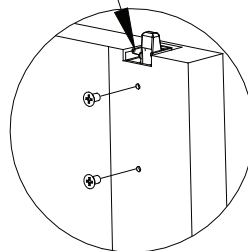
Top & Bottom Latch Door Prep for 82 & 83 Series



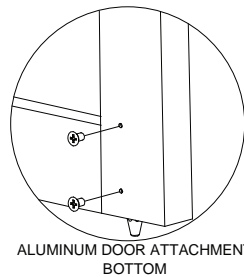
LATCH MOUNTING TOP & BOTTOM

Top Latch Installation for 82 & 83 Series

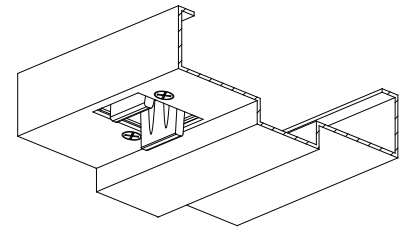
Release to extend bolt



Bottom Latch Installation for 82 Series Only



Top Strike Installation for 82 & 83 Series



Detex Limited Warranty

10 Year Mechanical/3 year Electrical Limited Manufacturer's Warranty

Listings and Approvals



UL Listed
Panic Hardware



UL Listed Fire Exit Hardware
UL 10 B/C
8'x10' pairs of doors



Meets ADA requirements



UBC 97, Standard 7-2 and
UL10C for positive pressure



ANSI/BHMA certified A156.3



Meets NFPA 80 & 101
for Life Safety



Detex Corporation
302 Detex Drive
New Braunfels, Texas 78130-3045 USA
PH. (830) 629-2900
(800) 729-3839
FAX (830) 620-6711
(800) 653-3839
<http://www.detex.com>
USA Sales:
marketing@detex.com
International Sales:
export@detex.com

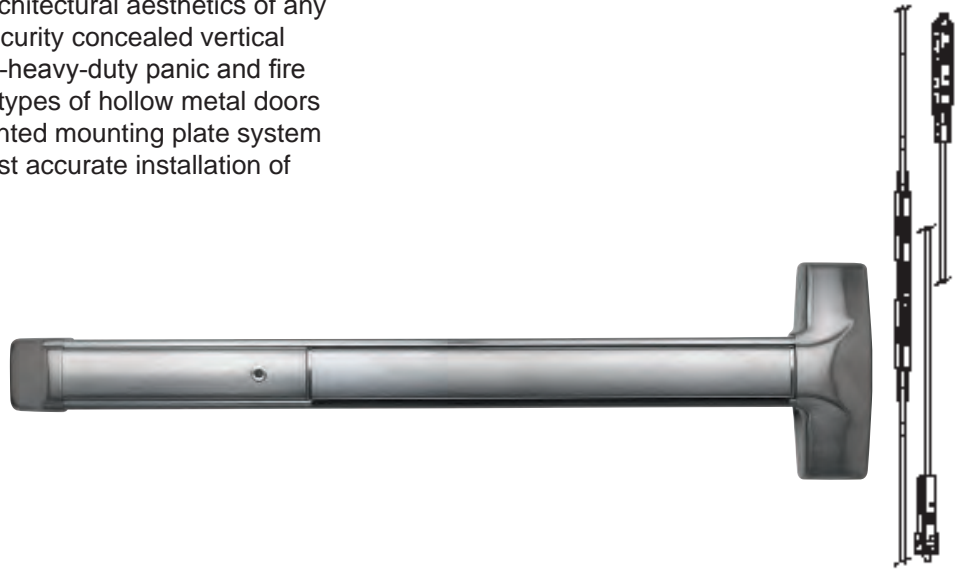


87 SERIES

High Security Relatching Concealed Vertical Rod Device

Designed to enhance the architectural aesthetics of any décor, the 87 Series high security concealed vertical rod exit device is also super-heavy-duty panic and fire exit hardware for use on all types of hollow metal doors without a mullion. The patented mounting plate system ensures the easiest and most accurate installation of panic hardware available.

Note: Only available with both top and bottom rod configuration



Benefits

- Tough and durable design for years of trouble-free service in high-use, high-abuse environments
- Outside trims are easily changed or rekeyed without removing device from door (exception: 03WSV)
- Fast and accurate installation saves time and money
- Minimal door prep saves time and money

Features

- 6-position multi-step action in top latch keeps top and bottom bolts retracted until door closes and provides more consistent re-latching and security to door
- Top strike fully adjustable both vertically and to accommodate a variety of varying weather strip thicknesses
- Top strike both secures the door and re-engages the latchbolts
- Patented deadlocking of top (80 and 81 Series) and bottom bolt (80 Series) assemblies
- Durable steel bottom drop bolt (80 Series)
- Rods are easily adjustable with rods installed in door
- Angled end-cap deflects damage away from device
- Handed - field reversible
- Field sizeable
- 1/8 turn dogging

Mechanical Options

- T - Tornado/Windstorm Rated (FEMA 361) - up to 42" wide and 88" height
- F - Contact factory for availability
- AM - Anti-Microbial Coating
- HD - Hex Dogging (Std.)
- CD - Cylinder Dogging
- SLR - Silencer
- 30 - Fits 30" Door Width - limited electrical options
- 36 - Fits 36" Door Widths (Std.)
- 48 - Fits 48" Door Widths
- EC1 - Ramped Endcap - Heavy duty (standard on 630, 606, 612, 613, 605, 611 & 629 finishes only)
- EC2 - Flush Endcap (standard on 628, 693 & 695 Finishes only)

Electrical Options

- Exit Alarm (EA)
- Electric Dogging (ED)
- Electric Latch Retraction (ER)
- Delayed Egress Self-Contained (EE)
- Request to Exit (EX)
- Request to Exit for High Voltage (EXV)
- Electric Delayed Egress x Latch Retraction (EExER)

Refer to Electrified Options section for more information



Accessories

- SSK4- Security Torx Screw Kit
- Trim Functions (see Outside Trims)
- Electrified Options (see Electrified Options)

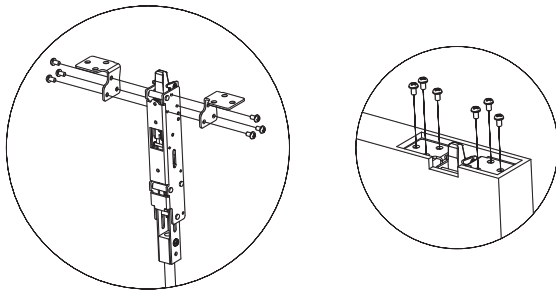
Technical Information

- Door Types - Hollow Metal
- Minimum Stile - 5"
- Fasteners - Machine and Self-Drilling Screws standard
- Door Thickness - Fits standard 1-3/4" - 2-1/4" (for other door thicknesses contact factory)
- Rail is heavy ribbed aluminum extrusion

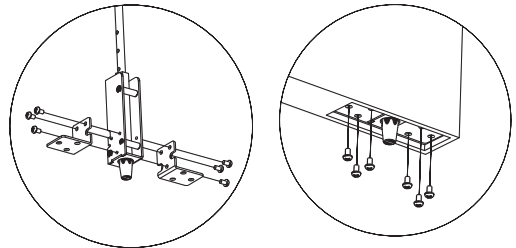
Finishes

605 / US3	Polished Brass	628 / US28	Satin Aluminum	693 / SPBLK	Black, painted
606 / US4	Brushed Brass	629 / US32	Polished Stainless Steel	695 / SP313	Dark Bronze, painted
611 / US9	Polished Bronze		UL		
612 / US10	Brushed Bronze	630 / US32D	Brushed Stainless Steel		
613 / US10B	Oil Rubbed Bronze				







Top Latch Installation



Bottom Latch Installation



Listings and Approvals

-  UL Listed Panic Hardware LISTED
-  UL Listed Fire Exit Hardware for 3 hours, maximum 8'x10' pairs of doors LISTED
-  Meets ADA requirements
-  UBC 97, Standard 7-2 and UL10C for positive pressure
-  ANSI/BHMA certified A156.3
-  Meets NFPA 80 & 101 for Life Safety

Qualified to meet FEMA 361; Tested at TEXAS Tech University National Wind Institute

Detex Limited Warranty

10 Year Mechanical/3 year Electrical Limited Manufacturer's Warranty

Where Trust is Built™
DETEX®

Life Safety and Security Door Hardware

Detex Corporation
 302 Detex Drive
 New Braunfels, Texas 78130-3045 USA
 PH. (830) 629-2900
 (800) 729-3839
 FAX (830) 620-6711
 (800) 653-3839
<http://www.detex.com>
 USA Sales:
marketing@detex.com
 International Sales:
export@detex.com



BHMA Functions

- 01** - Exit only, no trim or blank escutcheon
- 02** - Entrance by trim when actuating bar is locked down
- 03** - Entrance by trim when latch bolt is released by key. Key removable only when locked.
- 08** - Entrance by knob or lever. Key locks or unlocks knob or lever.
- 09** - Entrance by knob or lever only when released by key. Key removable only when locked.
- 10** - Entrance by lever. Inside or outside key locks or unlocks lever.
- 14** - Entrance by trim when latch bolt is released by knob, lever. Always active, no cylinder.
- EU** - Electric Unlock Trim
- EU2W** - Electric Unlock Trim (doors with 4" minimum stile width)



Exit Device & Trim Designation

Outside Trim Functions

	10 Series	20 Series	21 Series	30 Series	40 Series	50 Series	51 Series	60 Series	61 Series
ANSI Function	ANSI Type 1	ANSI Type 2	ANSI Type 2 Top Rod Only	ANSI Type 3	ANSI Type 4	ANSI Type 5	ANSI Type 5 Top Rod Only	ANSI Type 6	ANSI Type 6 Top Rod Only
Exit Only	10 F10 H10 FH10	20 F20	21 F21	30 F30	40 F40 H40 FH40	50 F50	51 F51	60 F60	61 F61
01	1001 F1001 H1001 FH1001	2001 F2001	2101 F2101	3001 F3001	4001 F4001 H4001 FH4001	5001 F5001	5101 F5101	6001 F6001	6101 F6101
Exit Only - Plate Trim	01C 01D 01W	01C 01D 01W	01C 01D 01W	01CM 01WM	01CN 01DN	01CN 01DN	01CN 01DN	01CNV 01DNV	01CNV 01DNV
02	1002 F1002 H1002 FH1002	2002 F2002	2102 F2102	3002 F3002	4002 F4002 H4002 FH4002	5002 F5002	5102 F5102	6002 F6002	6102 F6102
Dummy Trim - No Cylinder	02C 02D	02C 02D	02C 02D	02CM 02DM	02CN 02DN	02CN 02DN	02CN 02DN	02CNV 02DNV	02CNV 02DNV
03	1003 F1003 H1003 FH1003	2003 F2003	2103 F2103	3003 F3003	4003 F4003 H4003 FH4003	5003 F5003	5103 F5103	6003 F6003	6103 F6103
Entrance by trim when latchbolt is retracted by key. Key removable only when locked.	03C* 03W* 03W*	03C* 03W* 03W*	03C* 03W* 03W*	03CM* 03WM*	03CN* 03WS*	03CN* 03WS*	03CN* 03WS*	03CNV*	03CNV*
08	1008 F1008 H1008 FH1008	2008 F2008	2108 F2108	3008 F3008	4008 F4008 H4008 FH4008	5008 F5008	5108 F5108	6008 F6008	6108 F6108
Entrance by lever. Key locks or unlocks lever.	08D**	08D**	08D**	08DM**	08DN**	08DN**	08DN**	08DNV**	08DNV**
09	1009 F1009 H1009 FH1009	2009 F2009	2109 F2109	3009 F3009	4009 F4009 H4009 FH4009	5009 F5009	5109 F5109	6009 F6009	6109 F6109
Entrance by lever trim activated by key; locked when key removed.	09D**	09D**	09D**	09DM**	09DN**	09DN**	09DN**	09DNV**	09DNV**
10	1010 F1010 H1010 FH1010			3010 F3010					
Entrance by lever. Inside or outside key locks or unlocks lever.	10D			10DM**					
14	1014 F1014 H1014 FH1014	2014 F2014	2114 F2114	3014 F3014	4014 F4014 H4014 FH4014	5014 F5014	5114 F5114	6014 F6014	6114 F6114
Entrance by lever. Lever operable at all times.	14D	14D	14D	14DM	14DN	14DN	14DN	14DNV	14DNV

Prefix F denotes UL Listed Fire Exit Hardware
 Prefix H denotes Hurricane Listed Rim Device
 * Rim Cylinder Required
 ** Mortise Cylinder Required



	62 Series	63 Series	70 Series	71 Series	80 Series	81 Series	82 Series	83 Series
ANSI Function	ANSI Type 6	ANSI Type 6 Top Rod Only	ANSI Type 7	ANSI Type 7 Top Rod Only	ANSI Type 8	ANSI Type 8 Top Rod Only	ANSI Type 8	ANSI Type 8 Top Rod Only
Exit Only	62 F62	63 F63	70 F70	71 F71	80 F80	81 F81	82 F82	83 F83
01	6201 F6201	6301 F6301	7001 F7001	7101 F7101	8001 F8001	8101 F8101	8201 F8201	8301 F8301
Exit Only - Plate Trim	01CNV 01DNV	01CNV 01DNV	01CV 02CV	01CV 02CV	01CV 02CV	01CV 02CV	01CV 02CV	01CV 02CV
02	6202 F6202	6302 F6302	7002 F7002	7102 F7102	8002 F8002	8102 F8102	8202 F8202	8302 F8302
Dummy Trim - No Cylinder	02CNV 02DNV	02CNV 02DNV	02CV 02DV	02CV 02DV	02CV 02DV	02CV 02DV	02CV 02DV	02CV 02DV
03	6203 F6203	6303 F6303	7003 F7003	7103 F7103	8003 F8003	8103 F8103	8203 F8203	8303 F8303
Entrance by trim when latchbolt is retracted by key. Key removable only when locked.	03CNV*	03CNV*	03CV*	03CV*	03CV*	03CV*	03CV*	03CV*
08	6208 F6208	6308 F6308	7008 F7008	7108 F7108	8008 F8008	8108 F8108	8208 F8208	8308 F8308
Entrance by lever. Key locks or unlocks lever.	08CNV**	08CNV**	08CV**	08CV**	08CV**	08CV**	08CV**	08CV**
09	6209 F6209	6309 F6309	7009 F7009	7109 F7109	8009 F8009	8109 F8109	8209 F8209	8309 F8309
Entrance by lever trim activated by key; locked when key removed.	09DNV**	09DNV**	09DV**	09DV**	09DV**	09DV**	09DV**	09DV**
10								
Entrance by lever. Inside or outside key locks or unlocks lever.								
14	6214 F6214	6314 F6314	7014 F7014	7114 F7114	8014 F8014	8114 F8114	8214 F8214	8314 F8314
Entrance by lever. Lever operable at all times.	14DNV	14DNV	14DV	14DV	14DV	14DV	14DV	14DV

Prefix F denotes UL Listed Fire Exit Hardware
Prefix H denotes Hurricane Listed Rim Device
* Rim Cylinder Required
** Mortise Cylinder Required





WIDE STILE

OUTSIDE PULL & PLATE TRIM DESIGNS

Assorted outside trims provide security for all types of installations. Built to be as durable as the panic devices, these heavy-duty trims will stand up to heavy use and abuse. The versatile design of the trims, combined with the device mounting plate, makes changing functions as simple as replacing the outside trim. This can easily be done without removing the exit device from the door. Wide stile trims can be used on 10 Series Rim and 20 and 21 Series Surface Vertical Rods. Add M to most trims for use with 30 Series Mortise devices. Add V to most trims for use with 70, 71, 80, 81, 82 and 83 Series Concealed Vertical Rod devices. Detex uses the BHMA functions/descriptions for all trims.

C/CM/CV TRIM S Pull Standard (Anti-Microbial Coating available)

W/WM Trim

01C / 01CM / 01CV 02C / 02CM / 02CV 03C / 03CM / 03CV

13 1/2 [342.9] 3 [76.2] 2 1/8 [52.1]

605 606
611 612
613 629
630

W/WM Trim not available with 70 and 80 Series

01W / 01WM 03W / 03WM

9-1/16 [230.1] 2-3/4 [70.1] 3/32 [2.3]

605 606
611 612
613 629
630

WS/WSV Trim

WS Trim not available with 30 Series

03WS / 03WSV

3-15/16 [100.1] 1-15/16 [49.3] 1/2 [12.7]

605 606
611 612
613 626

WP Trim

WP Trim available with 70/80 Series only

02WP

12" 1" dia.

630

Z Trim

Z Trim (Vandal Pull) available with 10/20/21 Series only
*Available in 630 (Brushed Stainless Steel) Only

02Z 03Z

11 1-5/8 1-3/4 1-1/4 70°

630

Where Trust is Built™
DETEX®
Life Safety and Security Door Hardware

BHMA Function/Description

- 01 - Exit only, no trim or blank escutcheon
- 02 - Entrance by trim when actuating bar is locked down (dummy trim)
- 03 - Entrance by trim when latch bolt is released by key. Key removable only when locked.

Technical Information

- C and W Trims are Stainless Steel
- WS Trims are Forged Brass
- When ordered with device, trim will match mounting plate specified
- Wide stile trim configured for use with BP1 or BP7 (when ordered with 03 function) - standard on 10, 20/21 Series, BP11 or BP13 (when ordered with 03 function) - standard on 70, 80/81/82/83 Series
Call factory for retrofit applications

Finishes

605 / US3	Polished Brass
606 / US4	Brushed Brass
611 / US9	Polished Bronze
612 / US10	Brushed Bronze
613 / US10B	Oil Rubbed Bronze
626 / US26D	Brushed Chrome
629 / US32	Polished Stainless Steel
630 / US32D	Brushed Stainless Steel



Detex Corporation
302 Detex Drive
New Braunfels, Texas 78130-3045 USA
PH. (830) 629-2900
(800) 729-3839
FAX (830) 620-6711
(800) 653-3839
<http://www.detex.com>
USA Sales:
marketing@detex.com
International Sales:
export@detex.com





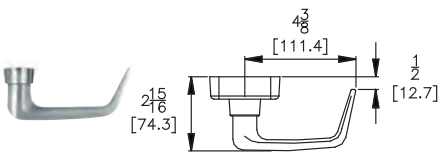
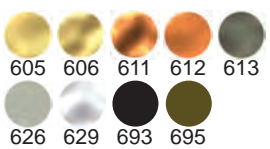


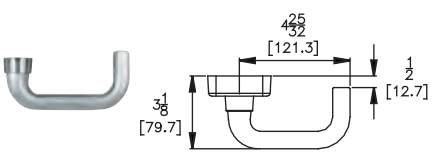

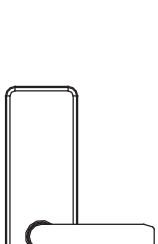

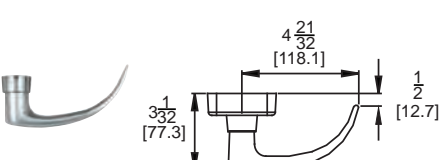
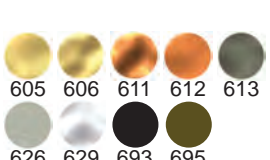
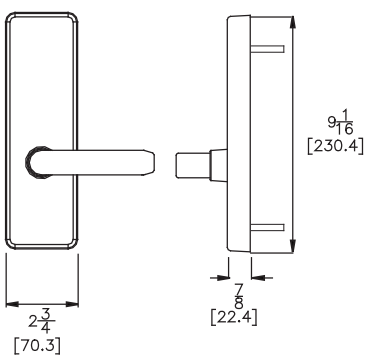

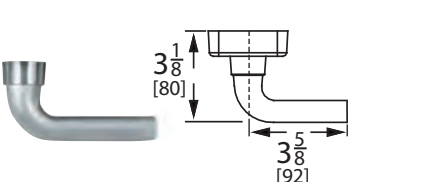

WIDE STILE

LEVER TRIM DESIGNS

Assorted outside trims provide security for all types of installations. Built to be as durable as the panic devices, these heavy-duty trims will stand up to heavy use and abuse. The versatile design of the trims, combined with the device mounting plate, makes changing functions as simple as replacing the outside trim. This can easily be done without removing the exit device from the door. Wide stile trims can be used on 10 Series Rim and 20 and 21 Series Surface Vertical Rods. Add M to most trims for use with 30 Series Mortise devices. Add V to most trims for use with 70, 71, 80, 81, 82 and 83 Series Concealed Vertical Rod devices. Detex uses the BHMA functions/descriptions for all trims.

All Wide Stile Lever Trims come standard with a break-away type lever to prevent permanent damage from vandalism and abuse. Once the lever is forced past the locking point, the lever will drop down and appear broken. The internal disengaging clutch allows the lever to be reset by pulling it back to its original position. Anti-Microbial Coating (AM) is available on all levers - contact factory for lead time and details.

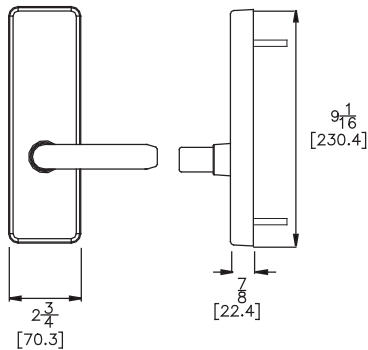
Standard Lever Trims

 <p>08D / 08DM / 08DV, 09D / 09DM / 09DV, EU / EUV (Electric Lock/ Unlock)</p>	<p>S Lever</p> 	 <p>Dimensions: $4\frac{3}{8}$, $[111.4]$, $2\frac{15}{16}$, $[74.3]$, $\frac{1}{2}$, $[12.7]$</p>	 <p>605 606 611 612 613 626 629 693 695</p>
 <p>02D / 02DM / 02DV, 14D / 14DM / 14DV</p>	<p>T Lever</p> 	 <p>Dimensions: $4\frac{25}{32}$, $[121.3]$, $\frac{1}{2}$, $[12.7]$, $3\frac{1}{8}$, $[79.7]$</p>	 <p>605 606 611 612 613 626 629 693 695</p>
	<p>U Lever</p> 	 <p>Dimensions: $4\frac{21}{32}$, $[118.1]$, $\frac{1}{2}$, $[12.7]$, $1\frac{33}{32}$, $[77.3]$</p>	 <p>605 606 611 612 613 626 629 693 695</p>
 <p>Dimensions: $2\frac{3}{4}$, $[70.3]$, $9\frac{1}{16}$, $[230.4]$, $7\frac{7}{8}$, $[22.4]$</p>	<p>Q Lever</p> 	 <p>Dimensions: $3\frac{1}{8}$, $[80]$, $5\frac{3}{8}$, $[92]$</p>	 <p>626</p>

- | | |
|-------------|--------------------------|
| 605 / US3 | Polished Brass |
| 606 / US4 | Brushed Brass |
| 611 / US9 | Polished Bronze |
| 612 / US10 | Brushed Bronze |
| 613 / US10B | Oil Rubbed Bronze |
| 626 / US26D | Brushed Chrome |
| 629 / US32 | Polished Stainless Steel |
| 693 / SPBLK | Black Painted |
| 695 / SP313 | Dark Bronze Painted |



FSB Contemporary/European Designed Levers (630/US32D Brushed Stainless Steel Finish)



1075



1035



630

**FSB Lever Trims
available in 630/
US32D Brushed
Stainless Steel**



1076



1147



1016



1119



1093



1058

BHMA Function/Description For All Lever Trims

- 02 - Entrance by trim when actuating bar is locked down (dummy trim)
- 08 - Entrance by knob or lever. Key locks or unlocks knob or lever.
- 09 - Entrance by knob or lever only when released by key. Key removable only when locked.
- 10 - Entrance by lever. Inside or outside key locks or unlocks lever.
- 14 - Entrance by trim when latch bolt is released by knob or lever. Always active, no cylinder.
- EU - Electric Lock/Unlock - Fail Secure (FSE) or Fail Safe (FSA)

Technical Information

- D Trims are Forged Brass
- FSB Levers are Forged Steel
- KN - Knurling available on all standard levers
- When ordered with device, FSB Lever Trim will match Escutcheon plate, all finished in 630 Brushed Stainless Steel
- When ordered with device, trim will match mounting plate specified
- Wide stile trim configured for use with BP1 - Call factory for retrofit applications



Detex Corporation
302 Detex Drive
New Braunfels, Texas 78130-3045 USA
PH. (830) 629-2900
(800) 729-3839
FAX (830) 620-6711
(800) 653-3839
<http://www.detex.com>
USA Sales:
marketing@detex.com
International Sales:
export@detex.com



NARROW STILE

OUTSIDE PULL & PLATE TRIM DESIGNS

Assorted outside trims provide security for all types of installations. Built to be as durable as the panic devices, these heavy-duty trims will stand up to heavy use and abuse. The versatile design of the trims, combined with the device mounting plate, makes changing functions as simple as replacing the outside trim. This can easily be done without removing the exit device from the door. Narrow stile trims can be used on 40 Series Rim, 50 / 51 Series Surface Vertical Rods and 60 / 61 / 62 / 63 Concealed Vertical Rods. Detex uses the BHMA functions/descriptions for all trims.

CN / CNV TRIM

S Pull Standard

(Anti-Microbial Coating available)

01CN,
01CNV



02CN,
02CNV



03CN,
03CNV

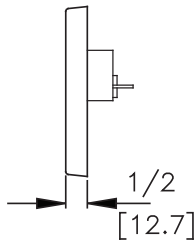
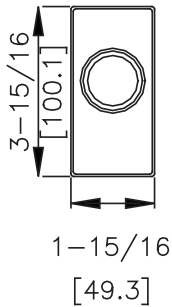


WS Trim

WS Trim not available with 60 Series



03WS

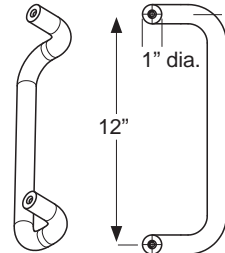


WP Trim

WP Trim available with 60 Series only



02WP

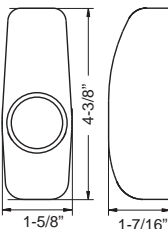


R Trim

R Trim available with 60 Series only



03R



BHMA Function/Description

- 01 - Exit only, no trim or blank escutcheon
- 02 - Entrance by trim when actuating bar is locked down (dummy)
- 03 - Entrance by trim when latch bolt is released by key. Key removable only when locked.
- 08 - Entrance by knob or lever. Key locks or unlocks knob or lever.
- 09 - Entrance by knob or lever only when released by key. Key removable only when locked.
- 10 - Entrance by lever. Inside or outside key locks or unlocks lever.
- 14 - Entrance by trim when latch bolt is released by knob or lever. Always active, no cylinder.
- EU2W - Electric Lock / Unlock, wide escutcheon - Fail Secure or Fail Safe

Technical Information

- CN Trims are Stainless Steel
- DN and WS Trims are Forged Brass
- KN - Knurling available on all levers
- Narrow stile trim configured for use with BP2 or BP8 (when ordered with 03 function) - Standard for use on 40, 50/51 Series, BP10 or BP12 (when ordered with 03 function) - Standard for use on 60/61, 62/63 Series
Call factory for retrofit applications
- Advantex narrow stile trim also available for use with all Value Series Devices
- When ordered with device, trims will match mounting plate specified

Finishes

605 / US3	Polished Brass
606 / US4	Brushed Brass
611 / US9	Polished Bronze
612 / US10	Brushed Bronze
613 / US10B	Oil Rubbed Bronze
629 / US32	Polished Stainless Steel
630 / US32D	Brushed Stainless Steel



Detex Corporation
302 Detex Drive
New Braunfels, Texas 78130-3045 USA
PH. (830) 629-2900
(800) 729-3839
FAX (830) 620-6711
(800) 653-3839
<http://www.detex.com>
USA Sales:
marketing@detex.com
International Sales:
export@detex.com



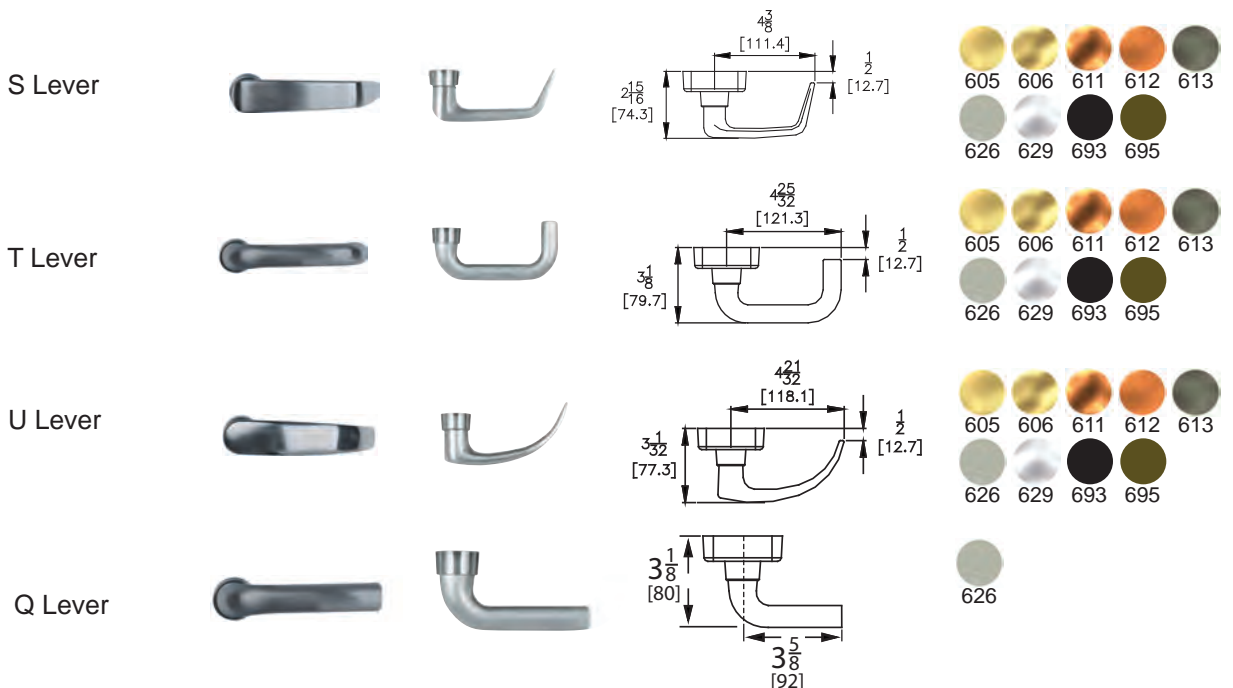
NARROW STILE

LEVER TRIM DESIGNS

Assorted outside trims provide security for all types of installations. Built to be as durable as the panic devices, these heavy-duty trims will stand up to heavy use and abuse. The versatile design of the trims, combined with the device mounting plate, makes changing functions as simple as replacing the outside trim. This can easily be done without removing the exit device from the door. Narrow stile trims can be used on 40 Series Rim, 50 / 51 Series Surface Vertical Rods and 60 / 61 / 62 / 63 Concealed Vertical Rods. Detex uses the BHMA functions/descriptions for all trims. Anti-Microbial Coating (AM) is available on all levers - contact factory for lead time and details.

DN / DNV / EU2W Trim

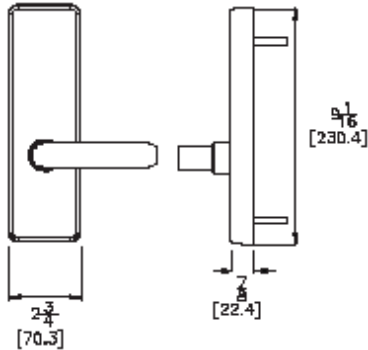
S Lever Standard



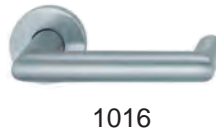
- | | |
|-------------|--------------------------|
| 605 / US3 | Polished Brass |
| 606 / US4 | Brushed Brass |
| 611 / US9 | Polished Bronze |
| 612 / US10 | Brushed Bronze |
| 613 / US10B | Oil Rubbed Bronze |
| 626 / US26D | Brushed Chrome |
| 629 / US32 | Polished Stainless Steel |
| 693 / SPBLK | Black Painted |
| 695 / SP313 | Dark Bronze Painted |



FSB Contemporary/European Designed Levers (630/US32D Brushed Stainless Steel Finish)



**FSB Lever
Trims available
in only 630/
US32D Brushed
Stainless Steel**



BHMA Function/Description

- 01 - Exit only, no trim or blank escutcheon
- 02 - Entrance by trim when actuating bar is locked down (dummy)
- 03 - Entrance by trim when latch bolt is released by key. Key removable only when locked.
- 08 - Entrance by knob or lever. Key locks or unlocks knob or lever.
- 09 - Entrance by knob or lever only when released by key. Key removable only when locked.
- 10 - Entrance by lever. Inside or outside key locks or unlocks lever.
- 14 - Entrance by trim when latch bolt is released by knob or lever. Always active, no cylinder.
- EU2W - Electric Lock / Unlock, wide escutcheon - Fail Secure or Fail Safe

Technical Information

- CN Trims are Stainless Steel
- DN and WS Trims are Forged Brass
- KN - Knurling available on all levers
- Advantex narrow stile trim also available for use with all Value Series Devices
- Narrow stile trim configured for use with BP2 or BP8 (when ordered with 03 function) - Standard for use on 40, 50/51 Series, BP10 or BP12 (when ordered with 03 function) - Standard for use on 60/61, 62/63 Series
Call factory for retrofit applications
- When ordered with device, trims will match mounting plate specified



Detex Corporation
302 Detex Drive
New Braunfels, Texas 78130-3045 USA
PH. (830) 629-2900
(800) 729-3839
FAX (830) 620-6711
(800) 653-3839
<http://www.detex.com>
USA Sales:
marketing@detex.com
International Sales:
export@detex.com



Electrified Options Definitions

EA	Exit Alarm with 9VDC/12VAC, Remote Bypass and Remote Signal Relay
EBxW	Exit Alarm With Battery - Weatherized
ED	Electric Dogging
EE	Electric Delayed Egress
EExER	Electric Delayed Egress with Latch Retraction
EI	Electric Integration - Includes ES Switches, piezo, key switch and 2 LEDs
EM	Electric Delayed Egress with Magnetic Lock
ER	Electric Latch Retraction
ERxW	Electric Latch Retraction - Weatherized
ES/EX/EXVI/ EXxW/LX	Electric Switching and Signaling
EU	Electric Unlock Trim
EU2W	Electric Unlock Trim (Used with Advantex 40/50/51 Series, on doors with 4" minimum stile width)

Accessories

All Electrified Options are available on Fire Exit Hardware and Hurricane Rated Devices



Exit Alarm (EA)

The Exit Alarm (EA) device option is designed for areas that require a stand-alone alarm on an emergency exit door. The alarm will sound when someone attempts to exit a door by depressing the pushpad, alerting management that violation has occurred. The internal alarm with remote signal and remote bypass capabilities is ideal for doors where both security and life safety are a concern.



10 Series Rim Exit Device shown

Shown with Factory Installed Mortise Cylinder - Sold Separately

Available with 10/40 Rim, 30 Mortise, 20/21/50/51 Surface Vertical Rod Devices and 60/61/62/63/70/71/80/81/82/83 Concealed Vertical Rod Devices

Benefits

- Controls foot traffic, deters unauthorized exits, prevents loss and meets building code requirements
- Reduced employee and customer theft
- Fast and easy installation
- One cylinder provides arming, disarming and dogging
- Durable electronics provide years of trouble-free service, saving on replacement costs

Features

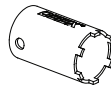
- Powered by standard 9-volt battery or 12V or 24V AC/DC power with 9-volt battery backup
- Arming delay - Factory default is 15 second delay after key reset. 1 second or 5 second delays also available. Call factory
- Mortise cylinder key switch arming
- 100dB alarm
- Manual/Auto Rearming - Factory default is field-selectable for manual key arming or 2 minute auto rearm. 10 minute and 20 minute auto rearm also available. Call Factory
- Through-wire hinge or power transfer compatible
- State-of-the-art electronics offer reliable security and instantaneous alarm
- Low Battery Alert (Audible/Visual)
- Visual and audible arming indicators

Mechanical Options

- CD - Cylinder Dogging
- SLR - Silencer
- Add to existing 10/20/21/30/40/50/51 device by adding EA slide-in filler (specify finish and door width)
- LD - Less Dogging
- KS - Key Stop (Key removed only when armed)

Accessories

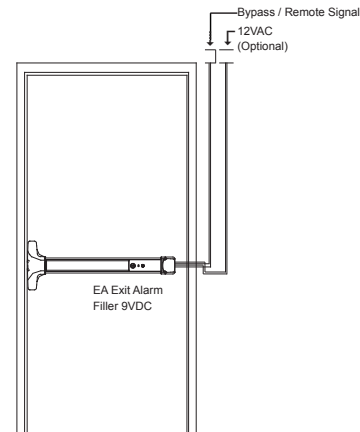
- FCA - Flex Conduit End Cap Kit (End cap mounted)
- MC65 - Factory Installed Mortise Cylinder
- PP-5152-3 - 12 VAC Transformer
- AL18 - Surface Armored Loop (Door/Frame mounted)
- Optional Cylinder Nut Wrench P/N: 103779
- PP-5152-2 - 24 VAC Transformer
- PT5 - Power Transfer



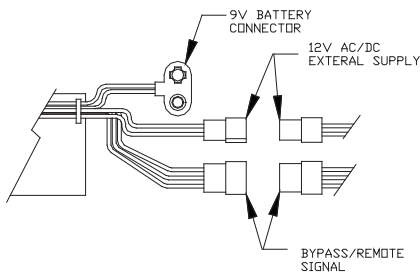
Finishes (Advantex)

605 / US3	Polished Brass	628 / US28	Aluminum Satin	693 / SPBLK	Black, Painted
606 / US4	Brushed Brass	629 / US32	Polished Stainless Steel	695 / SP 313	Dark Bronze, Painted
611 / US9	Polished Bronze				
612 / US10	Brushed Bronze	630 / US32D	Brushed Stainless Steel		
613 / US10B	Oil Rubbed Bronze				

Riser Diagram



Power Connections



Listings and Approvals

See individual device (i.e. 10 Series) catalog page for listings and approvals

Detex Limited Warranty

10 Year Mechanical/3 Year Electrical Limited Manufacturer's Warranty

Where Trust is Built™
DETEX®
Life Safety and Security Door Hardware

Detex Corporation
302 Detex Drive
New Braunfels, Texas 78130-3045 USA
PH. (830) 629-2900
(800) 729-3839
FAX (830) 620-6711
(800) 653-3839
<http://www.detex.com>
USA Sales:
marketing@detex.com
International Sales:
export@detex.com



Weatherized Alarmed Rim Exit Device (EBxW)

The **EBxW** is designed for doors and gates requiring a stand alone, battery powered, alarmed, weatherized panic device. The **100dB alarm** will sound when someone attempts to exit, alerting management to the unauthorized exit. The internal alarm with both remote bypass and remote signaling capabilities is ideal for applications where both security and life safety are a concern. In addition to listing as UL panic and fire exit hardware device, this device conforms to UL1034-34 Temperature Section 34, UL1034-54 Dust Section 54, MIL-STD 810F, Method 506.4 (driving rain test); MIL-STD 810F, Method 509.4 (salt fog test) and UBC standard 7-2 (positive pressure).



Wide Stile shown, for Narrow Stile, specify NS Option
(for use on 36" and 48" doors with 2" stiles).

Available with 10/40 Series Rim, 30 Series Mortise, 20/21/50/51 Series Surface Vertical Rod Devices and 60/61/62/63/70/71/80/81/82/83 Series Concealed Vertical Rod Devices

Benefits

- Weather resistant loss prevention hardware designed for use in outdoor or wet environments
- Patented back plate and plastic strike locator designed for perfect alignment with door and frame without paper template
- Fast, easy, trouble-free installation prevents costly mistakes and enhances security
- Provides reliable loss prevention protection 24 hours a day
- Controls foot traffic to deter unauthorized exits and reduces employee and customer theft
- Rugged, durable, corrosion-resistant design reduces maintenance
- Aesthetically pleasing design for almost any door or gate in any décor

Features

- Powered by standard 9-volt battery
- Stainless steel, self-latching bolt
- Angled end cap deflects damage
- Tamper-resistant, immersion-proof security switches
- Covers a 161 door prep
- Armed and disarmed field selectable status indicator
- 100dB alarm
- Indefinite alarm requiring manual rearm or variable 2 min. alarm duration with auto re-arm
- Cylinder dogging standard (can also be ordered less dogging)
- Plated steel, anodized aluminum and ABS components endure heavy use and exposure to the elements
- Visual and audible arming indicators
- Tamper-resistant housing protects electronics, battery and internal hardware, preventing manipulation
- Tapered design sheds rainwater
- Visual and audible low battery alert

Mechanical Options

- CD - Cylinder Dogging (Std.)
- LD - Less Dogging
- 36 - Fits 36" Door Width (Std.)
- 48 - Fits 48" Door Width
- F - 3-Hour Fire Rated
- H - Hurricane Rated
- 99 - Surface Strike (Std.)
- 98 - Semi Mortise Strike
- Available with 711 (Black) Base Rail Extrusion

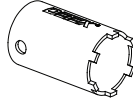


Electrical Options

- Remote Signal Form C signaling when alarm sounds and remote bypass input allows authorized use without an alarm - standard feature
- Other Weatherized Detex Products Include:
 - Request to Exit Signalling Weatherized (EXxW)
 - GTPLV40 - Adjustable Gate Plate
 - Weatherized Delayed Egress EasyKit (WDEx10)

Accessories

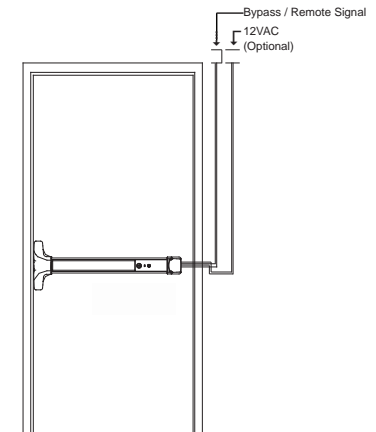
- SN1 - Sex Nut Fasteners
- KS - Key Stop - key removed only when armed
- Optional Cylinder Nut Wrench P/N: 103779
- Outside Trim (see Advantex Trim Options)



Technical Information

- Door Types - Wood, Hollow Metal, Fiberglass
- 2" Aluminum doors need to be ordered as a narrow stile (NS)
- Door Thickness - Fits standard 1-3/4" - 2-1/4"
- Door Stile - Fits 2" narrow stile doors with 98 semi-mortise strike - Specify NS
- Door Stile - Fits standard door with 99 surface strike (Std.)
- Exceeds MIL810F Method 506.4 Driving Rain (simulating 4"/hr. rain w/40mph wind)
- Exceeds MIL810F Method 509.4 Salt Fog Test (simulating effects of corrosive environments similar to atmospheric conditions found in costal regions)
- Machine and Self Drilling Screws (Std.)
- Optional Sex Nuts or Security Torx Screws available

Riser Diagram



Listings and Approvals



UL Listed
Panic Hardware



UL Listed Fire Exit Hardware
for 3 hours, maximum
4'x10' single doors and pairs of
4'x8' with F90KR key removable Mullion

UL1034-34 Temperature Section 34
[Temperature Range -31° F (-35° C) to
150° F (+66° C)]

UL1034-54 Dust Section 54



Meets ADA requirements

MIL-STD 810F(G), Method 506.4
(Driving Rain Test)
MIL-STD 810F(G), Method 509.4
(Salt fog Test)



ULC 97, Standard 7-2 and
UL10C for positive pressure



ANSI/BHMA certified A156.3



Meets NFPA 80 & 101
for Life Safety



Miami-Dade County, Florida
NOA 10-0303.02 EXP. 04/07/15
State of Florida Approval FL9052



California State Fire Marshal -
4140-0127:105 & 3725-0127:108

Detex Limited Warranty

10 Year Mechanical/3 Year Electrical
Limited Manufacturer's Warranty

Where Trust is Built™
DETEX®
Life Safety and Security Door Hardware

Detex Corporation
302 Detex Drive
New Braunfels, Texas 78130-3045 USA
PH. (830) 629-2900
(800) 729-3839
FAX (830) 620-6711
(800) 653-3839
<http://www.detex.com>
USA Sales:
marketing@detex.com
International Sales:
export@detex.com