

## EBD331e

700 TVL 3-Axis High Resolution Compact IP66 IR Ball Camera

**NEW**



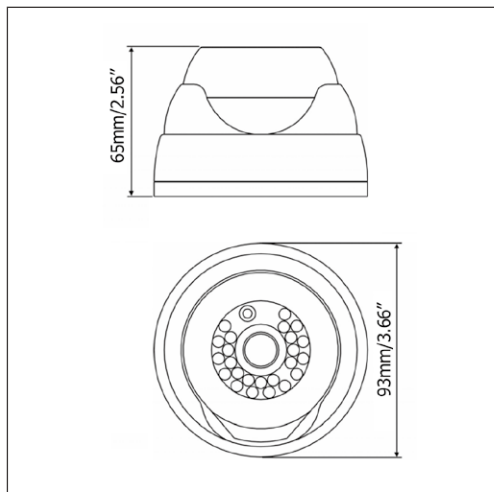
Outdoor IR Dome Camera

### Features

- Sony 1/3" 960H CCD Sensor, 700 TVL Resolution
- 3-Axis positioning for wall or ceiling mounting
- Sony Effio-E DSP platform delivers advanced camera functions
- Fixed lens f=3.6mm
- 24 IR LEDs reach up to 50 Feet (15M) range
- D-WDR functions (by Sony ATR technology) handles bright or unbalanced lighting
- DNR reduces image noise to save storage space
- Built-in Auto Electronic Shutter (AES), Auto-Gain Control (AGC) and Auto White Balance (AWB)

|                              |                               |
|------------------------------|-------------------------------|
| <b>Pickup Device</b>         | 1/3" SONY 960H CCD            |
| <b>Video Format</b>          | NTSC                          |
| <b>Picture Elements</b>      | 1020 x 508 (NTSC)             |
| <b>Horizontal Resolution</b> | 700 TVL                       |
| <b>Sensitivity</b>           | 0.01 Lux / F=1.2; 0 Lux IR On |
| <b>S/N Ratio</b>             | over 48dB (AGC Off)           |
| <b>Electronic Shutter</b>    | 1/50 ~ 1/100,000 sec          |
| <b>Video Output</b>          | BNC 1.0 Vp-p, 75Ω             |
| <b>Gamma Correction</b>      | 0.45                          |
| <b>Lens Type</b>             | Fixed Lens f=3.6mm / F=2.0    |
| <b>Auto Gain Control</b>     | On                            |
| <b>White Balance</b>         | Auto                          |
| <b>Sync Mode</b>             | Internal Sync                 |
| <b>Day &amp; Night</b>       | Yes, Day & Night Auto Switch  |
| <b>DNR</b>                   | On                            |
| <b>D-WDR</b>                 | Auto (Sony ATR)               |
| <b>IR LED</b>                | 24 Units IR LEDs              |
| <b>IR Wavelength</b>         | 850nm                         |
| <b>IR Range</b>              | 50 Feet (15M)                 |
| <b>Power Source</b>          | 12VDC                         |
| <b>Power Consumption</b>     | 310mA Max                     |
| <b>Operating Temp</b>        | 14°-122°F / -10°-50°C         |
| <b>Environmental</b>         | IP66                          |
| <b>Dimensions (□ x D)</b>    | 3.66" x 2.56"   93 x 65mm     |
| <b>Weight</b>                | 0.7lbs / 310g                 |
| <b>Certifications</b>        | CE/FCC                        |

### Dimensions



\* All product specifications are subject to change without notice

\* Models vary in different countries. Please visit EverFocus regional websites for detailed ordering information

\* Lens models and availability vary in different regions