

# EBN268 Ball Camera

2-Megapixel Outdoor Ball  
IR & WDR Network Camera

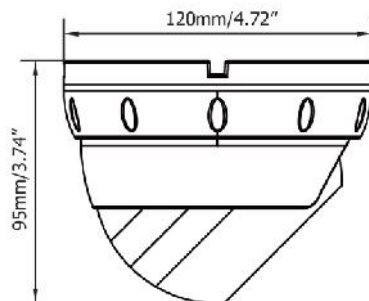
ONVIF & PSIA



## Features

- 1/2.8" HD color CMOS image sensor delivers high resolution, and supports H.264, MPEG-4 and M-JPEG in full frame rate
- Wide dynamic range
- Provides true day / night functionality with automatic IR filter operation
- Multiple profile settings allow choice of image quality to fit the environment
- High performance noise filter for improved image quality
- IP66 weather proof
- Extended IR range of up to 30M / 98.4ft. with 36 LEDs
- Dual power capability, PoE or 12 VDC, for flexible installation
- Supports live monitoring of video from mobile devices via MobileFocus / MobileFocus Plus apps (iOS and Android)
- ONVIF / PSIA compliant

## Dimensions



## Specifications

Megapixel	2MP
Image Sensor	1/2.8" SONY Progressive Scan CMOS Sensor
Lens	3.6mm / 6mm
Min. Illumination	Color: 0.2 Lux at F1.4 B/W: 0.05 Lux at F1.4 0 Lux at F1.4 (IR LEDs on)
Day/Night	True Day/Night with IR cut filter
Shutter Time	1/7.5 ~ 1/15,000 sec.
Video Compression	H.264 / M-JPEG / MPEG-4
Max. Video Resolution	1920 x 1080
Frame Rate	30fps
Video format	NTSC / PAL
S/N Ratio	> 50 dB
Privacy Mask	Yes
Region of Interest	Yes
Image Settings	Compression, Brightness, Sharpness, Contrast, Saturation, Hue, White balance, Exposure control, Backlight compensation, Rotation, Mirroring of images, Text and image overlay, Auto Gain Control, Auto White Balance, Highlight compensation
Interface	10BASE-T / 100BASE-TX auto-negotiation, RJ-45 socket Support MDI/MDI-X auto crossover function
Supported Protocols	TCP/IP, IPV6, UDP, ICMP, DHCP, NTP, DNS, DDNS, SMTP, SNMP, FTP, HTTP, HTTPS, PPPoE, UPnP, Bonjour, RTP, RTSP, RTCP, UDP, IGMP, SSL, ICMP, ARP, ONVIF, PSIA
Event Trigger	Manual Trigger, Motion Detection, Tamper Detection
Notification	Trigger alarm output, Send mail notification, Upload video to FTP, Record video to PC and Network alarm
Power Supply	12 VDC & PoE
Power over Ethernet	PoE IEEE802.3af (Class 3)
Max. Power Consumption	6W Max.
Weather Resistance	IP66
Humidity	20% ~ 80% not condensing
Operating Temperature	-10°C ~ 50°C / -14°F ~ 122°F
Dimensions (L x Φ)	120 x 95mm/4.72" x 3.74"
Weight	740g / 1.63lbs
Certificates	CE, FCC

\* All product specifications are subject to change without notice

\* Models vary in different countries. Please visit EverFocus regional websites for detailed ordering information