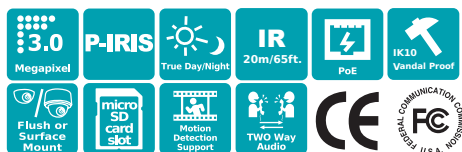


EDN3340

3 Megapixel HD Indoor IR Dome Network Camera

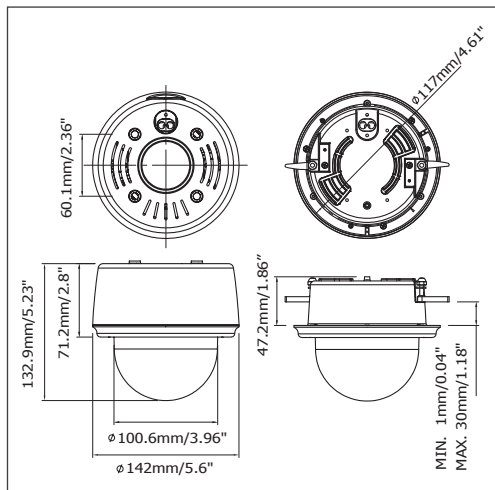
neVIO HD Series PSIA & ONVIF



Features

- 1/2.8" HD color CMOS image sensor delivers high resolution, and supports both H.264, MPEG-4 and M-JPEG in full frame rate
- P-IRIS Lens with a stepper motor for exact positioning to improves the IRIS performance
- Provides True Day/Night functionality with automatic IR filter operation
- Multi profiles settings for allows choice of image quality to fit the environment
- High Performance Noise Filter improves image quality
- Extended IR range of up to 20M/ 65.6 ft. with 33 LEDs
- Dual power capability PoE or 12VDC for flexible installation
- ONVIF / PSIA compliance interoperates with a broad range of systems
- Built-in micro SDHC slot for a SDHC card enabling local storage
- Vandal proof: IK10-rated metal housing
- Local alarm inputs and outputs
- Two Way Audio transport (line level input/output)
- Anti-Tampering function
- BNC video output for simplified on-site installation and verification
- Supports live monitoring of video from mobile devices via MobileFocus/MobileFocus Plus Apps (iOS and Android)

Dimensions



Specifications

Pickup Device	1/2.8" Full HD progressive scan CMOS sensor
Lens	Vari-focal lens, Auto IRIS, 3-9mm, F1.2-360C, P-IRIS
Minimum Illumination	Color : 0.1 Lux@F1.2 B/W :0.02@F1.2 0 Lux @F1.2 (IR LEDs on)
Day/Night	True Day/Night with IR cut filter
Shutter Time	1~1/10,000sec.
Video Compression	H.264/M-JPEG/MPEG-4 (optional)
Max. Video Resolution	2048 × 1536
Frame Rate	Up to 30fps, 2048 × 1536 @ 15fps
Angle of View Wide	Horizontal 96.4~31.7, Vertical 69.6~23.7, Diagonal 128.2~39.7 °
S/N Ratio	>50dB
Privacy Mask	Yes
Region of Interest	Yes
Video Streaming	Multi-stream H.264, and M-JPEG: 1 stream in max. resolution at 15 fps; more streams if identical or limited in frame rate/resolution
Image Settings	Compression, Brightness, Sharpness, Contrast, Saturation, Hue, White balance, Exposure control, Backlight compensation, Rotation, Mirroring of images, Text and image overlay, Auto Gain Control, Auto White Balance
3D Noise	On/Off
Audio Compression	G.711
Operation Mode	Two-way audio
Interface	10Base-T/100Base-TX auto-negotiation, RJ-45 socket Support MDI/MDI-X auto crossover function
Supported Protocols	TCP/IP, IPV6, UDP, ICMP, DHCP, NTP, DNS, DDNS, SMTP, SNMP, FTP, HTTP, HTTPS, PPPoE, UPnP, Bonjour, RTP, RTSP, RTCP, UDP, SSL, IGMP, ICMP, ARP, ONVIF, PSIA
Alarm Input/Output	1/1
Event Trigger	Alarm Input, Manual Trigger, Motion Detection, Tamper detection
Notification	Trigger alarm output, Send mail notification, Upload video to FTP, Record video to PC and Network alarm
Micro SD Card	Secure Disk physical layer specification version 2.0, Supports SDHC Host Specification
Power Supply	12 VDC & PoE
Power over Ethernet	PoE IEEE 802.3af
Max. Power Consumption	12VDC 7.44W(IR LEDs on) / PoE 8.45W(IR LEDs on)
Vandal Resistance	IK10
Humidity	20%~80% not condensing
Operating Temperature	0°C~40°C/-32°F~104°F
Dimensions (Φ x H)	Flush Mount : 117 x 108.9mm/4.61" x 4.29" Surface Mount : 142 x 132.9mm/5.6" x 5.23"
Weight	1.08kg/2.38lbs
Certificates	CE, FCC