

Actuator Options

Diaphragm Valves



Series 92 Electric Actuators

Standard Features (Sizes 1/2" - 4")

- Brushless, capacitor-run motors (115V/60 Hz)
- Integral thermal overload protection with auto-reset
- Permanently lubricated gear train
- Weatherproof enclosure rated Type 4X has a thermally bonded powder coat finish with stainless steel trim
- ISO mounting
- Two 1/2" NPT conduit ports prevent interference between control and power signals
- Declutchable manual override
- Highly visible position indicator
- Three-layer rotary switch for dry contact indication
- Extra limit switches supplied as a standard

Options

- Heater and thermostat (to -40° F)
- Positioner: 4-20 mA or 0-10 VDC input
- 4-20 mA output position transmitter
- Feedback potentiometer

Dimensions (in.)

NOMINAL SIZE		H	H1	L
INCHES	mm			
1/2	15	1.75	3.55	4.25
3/4	20	1.94	3.61	5.88
1	25	2.13	3.77	5.88
1-1/2	40	2.50	6.50	6.94
2	50	3.00	7.02	7.94
2-1/2	65	3.50	9.52	9.84
3	80	3.75	10.25	10.38
4	100	4.50	11.00	12.94

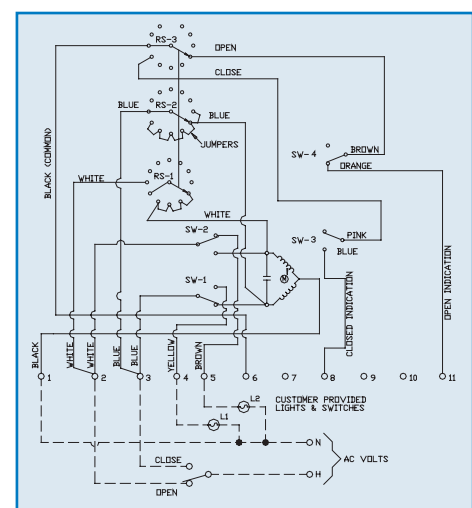
Weight (lbs.)

NOMINAL SIZE		WT. (LBS.)
INCHES	mm	
1/2	15	16.80
3/4	20	17.10
1	25	17.70
1-1/2	40	21.50
2	50	23.30
2-1/2	65	29.60
3	80	32.94
4	100	41.10

Cycle Times

NOMINAL SIZE		TIME (SEC)
INCHES	mm	
1/2	15	195
3/4	20	195
1	25	195
1-1/2	40	255
2	50	315
2-1/2	65	375
3	80	375
4	100	375

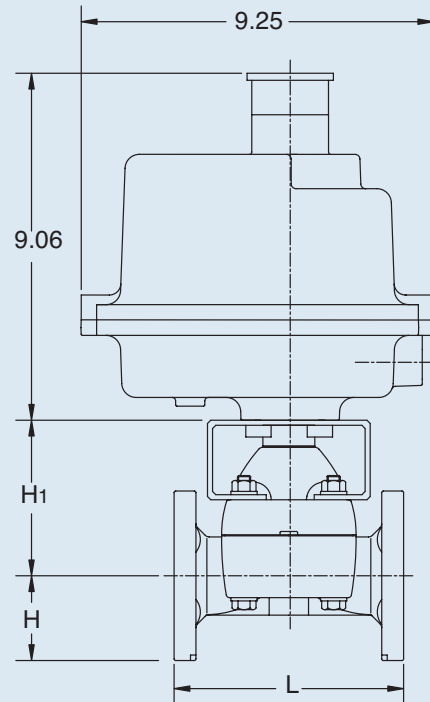
Wiring



* Duty Cycle: 25%

* Cycle times are approximate

ACTUATOR DEPTH: 9.25"



NOTE: CONSULT FACTORY FOR SIZES GREATER THAN 4" FOR TRUE UNION "L" DIMENSIONS SEE PAGE 74.

AC Wiring (For 115 VAC only)

NOTE TO WIRING DIAGRAM:

1. EACH ACTUATOR MUST BE POWERED THROUGH ITS OWN INDIVIDUAL SWITCH CONTACTS TO AVOID CROSS FEED.

2. MOTOR HAS A THERMAL PROTECTOR AS SHOWN BY (M) IN DIAGRAM.

3. IF 115 VAC MODELS ARE PLC DRIVEN, OUTPUT CONTACTS OF PLC SHOULD BE RATED AT A MINIMUM OF 1.5 TIMES REQUIRED INPUT VOLTAGE OF ACTUATOR.