

LIMIT SWITCHES

Limit switches are used for remote position indication with the use of lights or for sequencing of other equipment.

P-Series Limit Switch (Lever Type)



Westlock Limit Switch (Gear Type)

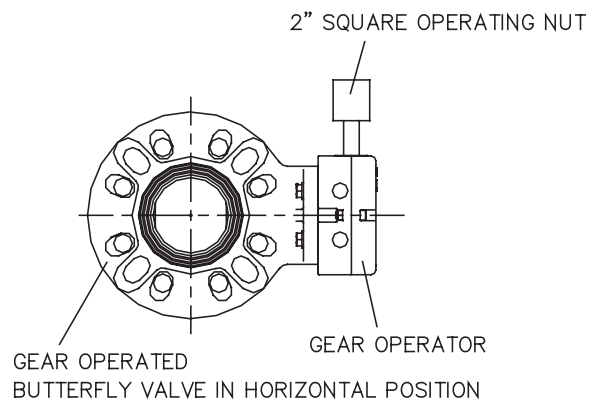
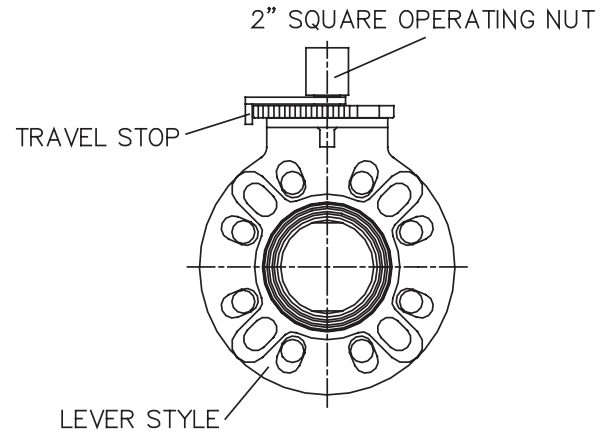


Plasgear™ Locking Device



OPERATING NUTS

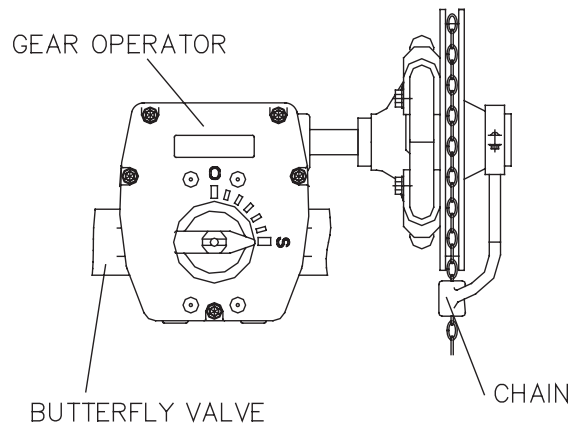
Operating nuts are available in 2" square configuration. They are used for remote operation of a valve with an extended wrench.

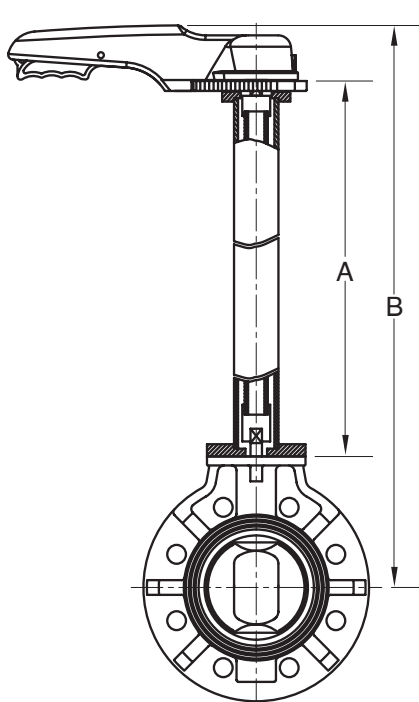


NOTE. The shape and appearance of assembly differ a little with nominal size compared to this drawing.

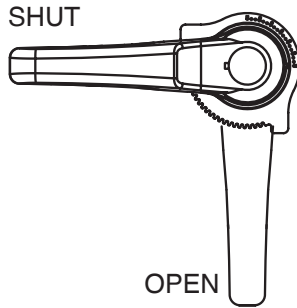
CHAIN OPERATORS

These operators are used for valves in overhead locations. They can only be used with gear operated valves.





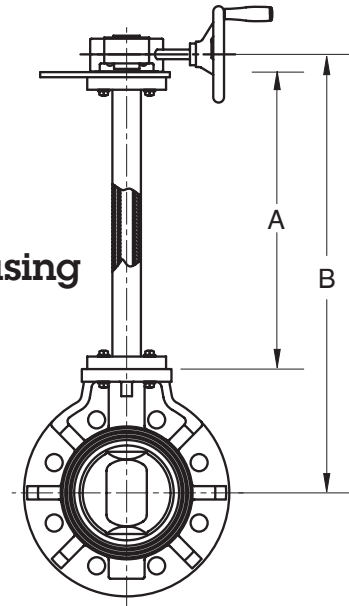
STYLE LBF-A
(TWO PIECE, STEM & HOUSING)



Two-Piece Stem and Housing

For submerged or buried applications. PVC housing protects stem extensions from aggressive environments. Epoxy coated carbon steel housing is also available, which is designed to meet landfill specifications.

Note:
Landfill style stem extensions are gear operated type only.

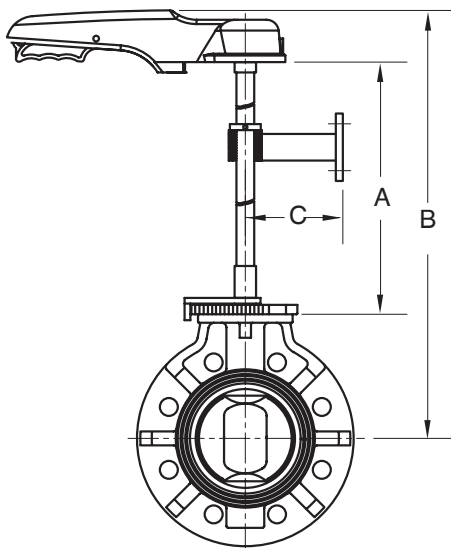


STYLE GBF-A
(TWO PIECE, STEM & HOUSING)

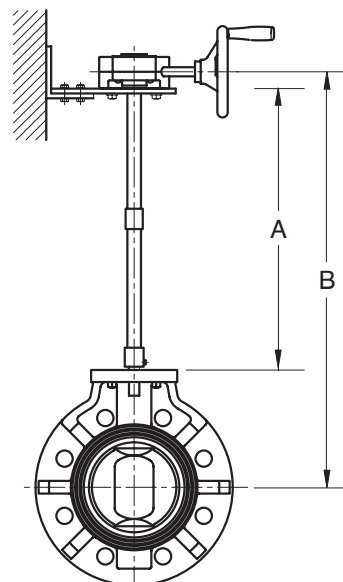
Single Stem Extensions

Valve handle can be extended away from the valve for out-of-reach locations.

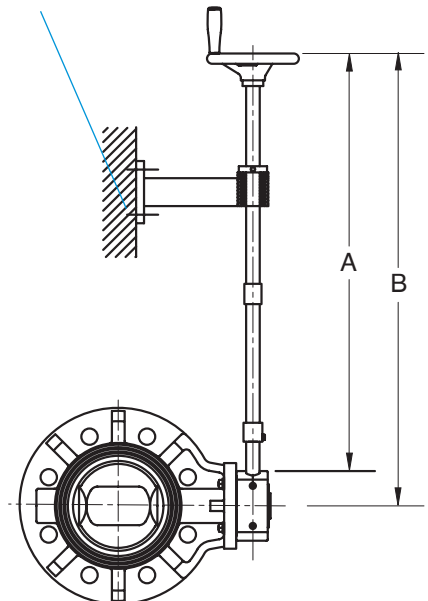
PATENTED WALL SUPPORT



STYLE LBF-B
(ONE PIECE, NON-SUPPORTED)



STYLE GBF-B
(ONE PIECE, NON-SUPPORTED)



STYLE GBF-C
(ONE PIECE, NON-SUPPORTED)

All stem extension tolerances +/- 1 inch

Please use Stem Extension Work Sheet on Page 21 when ordering any stem extension.