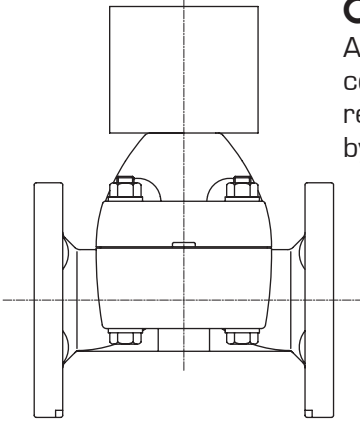


Options

Diaphragm Valves

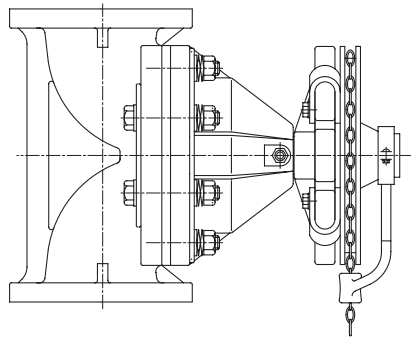
Operating Nuts

Available in 2" square configuration. Used for remote operation of a valve by a wrench.



Locking Handles

To prevent unauthorized operation, the valve handwheel can be pad-locked in the open or closed position.

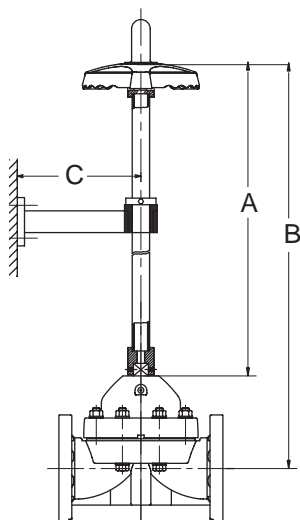


Chain Operators

Installed on the round handwheel of a valve in overhead, out-of-reach locations. The valve is operated by pulling on the chain.

Single Stem Extensions

The valve handwheel can be extended from the valve for out-of-reach locations by a single extension. Support is required under the handwheel to prevent side movement.

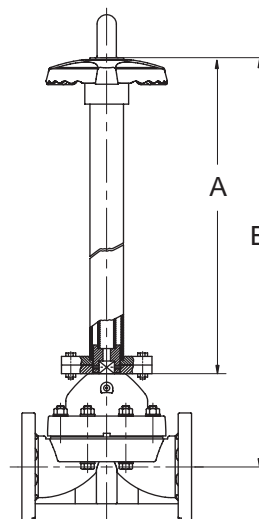


PATENTED WALL SUPPORT

Style
DV-B

Two-Piece Stem and Housing

For buried or submerged applications. A PVC housing surrounds the extended stem for protection from an aggressive environment, or to function as a box.



Style
DV-A

All stem extension tolerances +/- 1 inch

Please use **Stem Extension Work Sheet** on **Page 21** when ordering any stem extension