

# MAGNETIC LOCKS

## ML-1549W

### 1200+ lb. Weatherized Electromagnetic Lock

The Detex ML-1549W Weatherized Series, Grade 1 Magnetic Locks provide approximately 1200 lbs. of holding force to the separation point. Positive, instantaneous failsafe operation is guaranteed, with no moving parts to bind or wear, the ML-1549W Series will release immediately when de-energized by Fire Life Safety System or remote controls.



#### Benefits

- Easy mounting, time saving installation
- Weatherized for use in the harshest conditions
- Wiring may be run before or after installation of lock
- 1200 lbs of holding force deters unauthorized entry
- Floating armature design compensates for gate/door misalignment with the electromagnet
- Maintenance free operation with no moving parts

#### Features

- Stainless Steel Case
- Epoxy filled for weather resistance
- Non-handed
- Failsafe operation unlocks in a power outage
- Threaded conduit fitting
- Built-in bond sensor

#### Electrical Options

- Dual 12/24 VDC field selectable voltage

#### Accessories

- Various brackets (call factory)

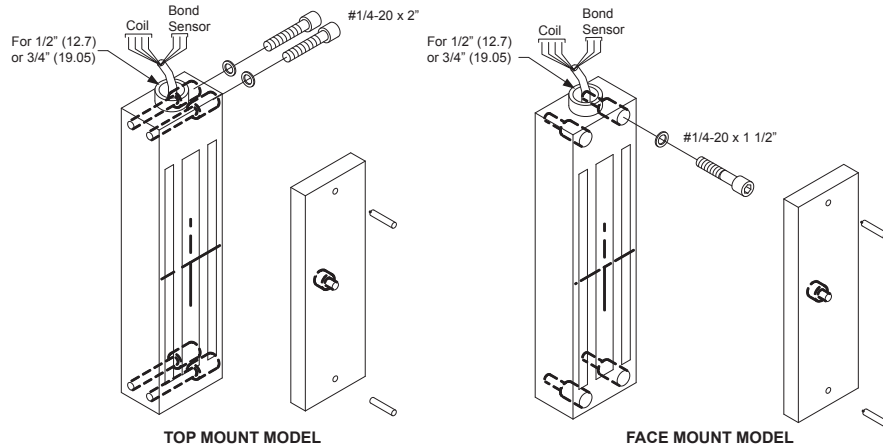
**Technical Information**

- All steel magnetic core construction
- .225mA @ 24VDC, .450mA @ 12VDC

**Finishes (Advantex)**

- 630 - Stainless Steel

**Mounting Diagram**



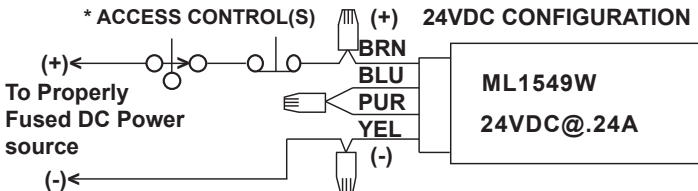
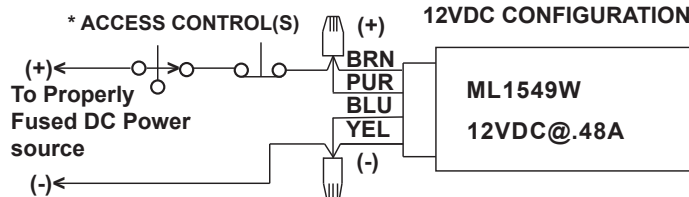
**Dimensions**

- Magnetic Lock - 1.61" D x 2.5" W x 8.66" L
- Armature - .63" D x 2.40" W x 7.283" L

**Detex Limited Warranty**

1 Year Limited Manufacturers Warranty

**12VDC and 24VDC Configurations**



**Listings and Approvals**



Detex Corporation  
 302 Detex Drive  
 New Braunfels, Texas 78130-3045 USA  
 PH. (830) 629-2900  
 (800) 729-3839  
 FAX (830) 620-6711  
 (800) 653-3839  
<http://www.detex.com>  
 USA Sales:  
[marketing@detex.com](mailto:marketing@detex.com)  
 International Sales:  
[export@detex.com](mailto:export@detex.com)

# MOTION DETECTORS

## MN01 & MN02

### Passive Infrared Sensors

---

The MN01 & MN02 provide reliable motion detection for passive "Request-to-Exit" installation. Superior white-light and RFI immunity and SMD circuitry provide outstanding performance and sensitivity.



MN01



MN02

### Benefits

---

- Hands-free activation
- Choice of fail safe/fail secure operation
- Single or double door coverage
- Reliable detection
- Easy to install

### Features

---

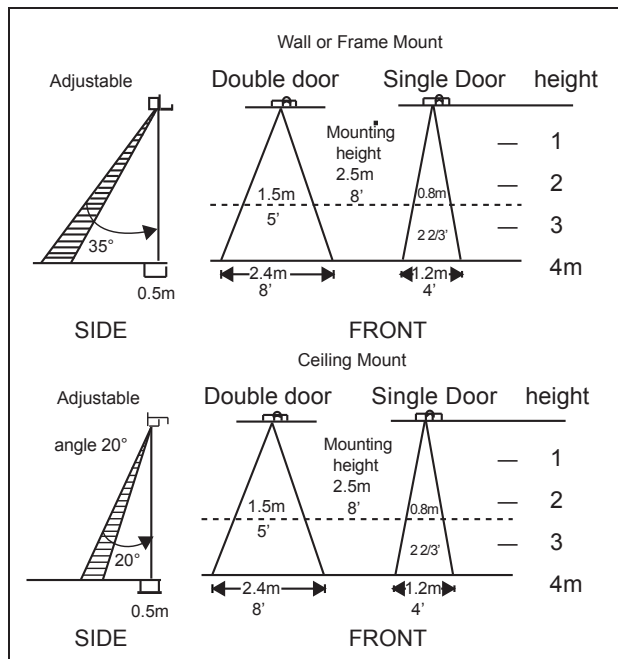
- Both offer special circuitry for superior RFI immunity
- MN01 allows fail safe/fail secure selection
- Both offer single or double door coverage
- Dual-Pyroelectric detection elements
- MN02 provides fail safe default

### Electrical Options

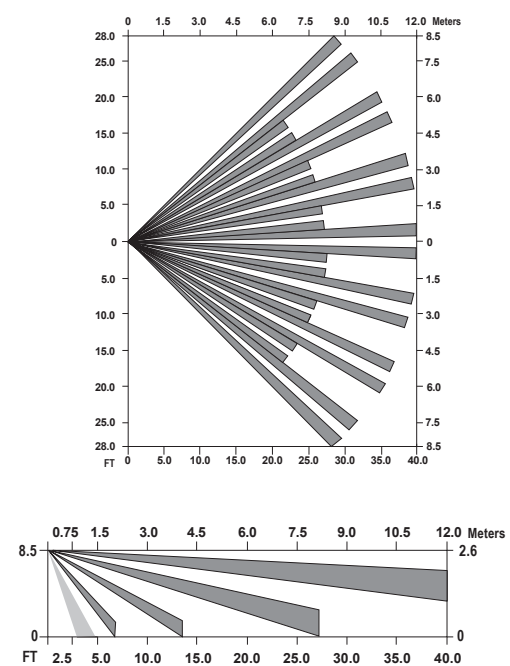
---

- MN01 requires 12 to 24VDC or AC
- Form C Relay (Signal pole, double throw)
- Form A Relay (normally open)
- MN02 requires 10.5 to 16 VDC

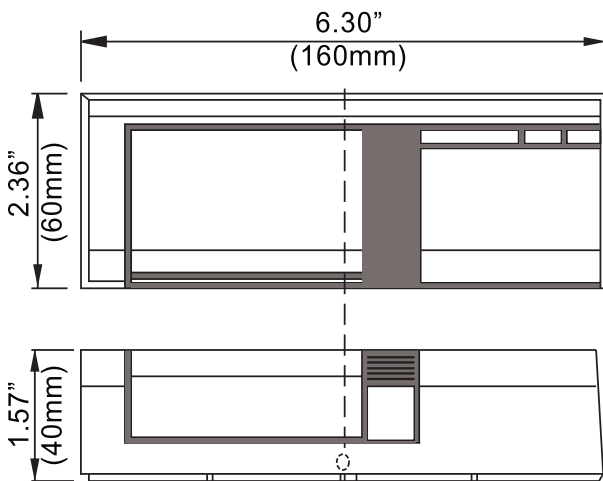
## Detection Area - MN01



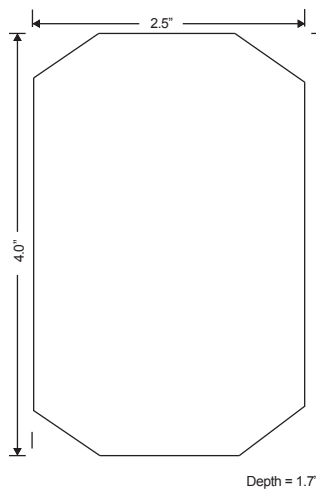
## Detection Area - MN02



## Dimensions - MN01



## Dimensions - MN02



## Listings and Approvals



## Detex Limited Warranty

1 Year Limited Manufacturer's Warranty

*Where Trust is Built™*  
**DETEX®**  
*Life Safety and Security Door Hardware*

Detex Corporation  
 302 Detex Drive  
 New Braunfels, Texas 78130-3045 USA  
 PH. (830) 629-2900  
 (800) 729-3839  
 FAX (830) 620-6711  
 (800) 653-3839  
<http://www.detex.com>  
 USA Sales:  
[marketing@detex.com](mailto:marketing@detex.com)  
 International Sales:  
[export@detex.com](mailto:export@detex.com)

# MAGNETIC SWITCH

## MS-2049F, MS-2049S, MS-2049SC, MS-2049SI

These magnetic switches are designed primarily to serve as sensing devices to detect the opening of a door or window; to assure that a protected door is securely under surveillance; to serve as a trigger for a wall-mounted Detex Exit Alarm; to signal that a door has been inadvertently left open; and to be used as a direct switch to set off many kinds of audio and visual alarms.



MS-2049F Flush  
Magnetic Switch



MS-2049S Surface Mounted  
Magnetic Switch



MS-2049SC Surface Mounted  
Magnetic Switch  
with conduit connector for use  
with thin-wall conduit



MS-2049SI Surface Mounted  
Magnetic Switch  
for In-Swinging Doors

### Benefits

- Provides assurance that protected doors are under surveillance
- Serves as a trigger for alarms or remote monitors
- UL listed for use on fire rated doors and assemblies

### Features

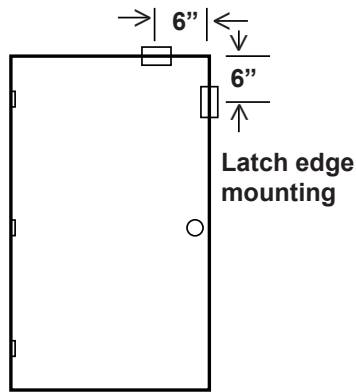
- Tamper protection - mounting screws inaccessible when door closed
- Components potted to protect against shock and moisture
- Easy installation with concealed wiring and color coded leads
- Surface mounted units are housed in a durable high impact ABS thermoplastic, a UL listed material used in the manufacture of telephones, auto bodies, etc.
- Wide range of alarm and signal applications
- Minimizes false signals due to loosely closed doors
- Switch rated for over one million operations under load

### Technical Information

- Maximum contact ratings - 24VDC @ .5A
- For use on steel, aluminum or wood doors and frames
- May be mounted on stiles as narrow as 1-3/8"
- Overhead (preferred) or latch-stile mounting available for all models
- Switch - single pole, double throw (SPDT)
- The flush device (MS-2049F) should have the switch contact housed in the door frame and the magnet mortised in the edge of the door
- Wiring leads, 12" long, color coded, concealed

## Riser Diagram

Overhead mounting (preferred)

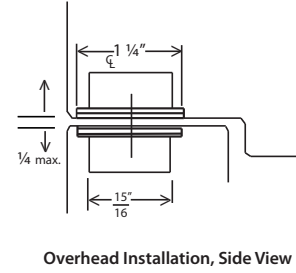
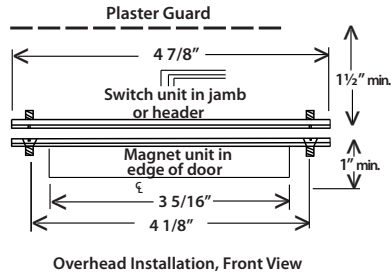


## Listings and Approvals

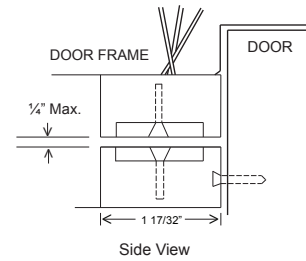
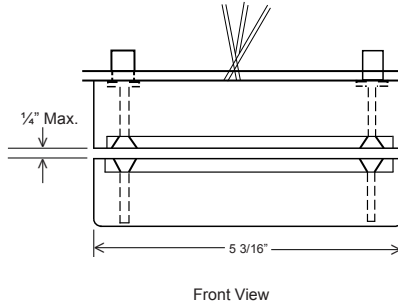


"UL Listed Miscellaneous Fire Door Accessories"  
 "UL Listed Door Position Switch"

## Dimensions (MS-2049F)



## Dimensions (MS-2049S)



## Detex Limited Warranty

3 Year Limited Manufacturers Warranty

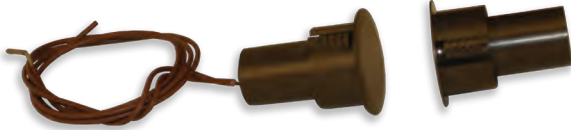
Where Trust is Built™  
**DETEX**®  
 Life Safety and Security Door Hardware

Detex Corporation  
 302 Detex Drive  
 New Braunfels, Texas 78130-3045 USA  
 PH. (830) 629-2900  
 (800) 729-3839  
 FAX (830) 620-6711  
 (800) 653-3839  
<http://www.detex.com>  
 USA Sales:  
[marketing@detex.com](mailto:marketing@detex.com)  
 International Sales:  
[export@detex.com](mailto:export@detex.com)

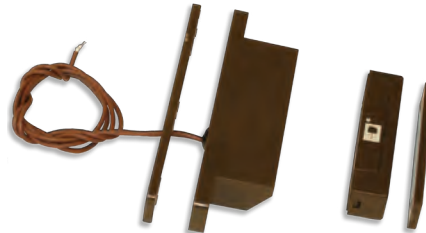
# MAGNETIC SWITCH

## MS-1039F, MS-1039S, MS-1059F, MS-1059S

These magnetic switches are designed primarily to serve as sensing devices to detect the opening of a door or window; to assure that a protected door is securely under surveillance; to serve as a trigger for a wall-mounted Detex Exit Alarm; to signal that a door has been inadvertently left open; and to be used as a direct switch to set off many kinds of audio and visual alarms.



MS-1039F (White) / MS-1059F (Brown)  
Flush Magnetic Switch  
(MS-1059F Shown)



MS-1039S (White) / MS-1059S (Brown)  
Surface Mounted  
Magnetic Switch  
(MS-1059S Shown)

### Benefits

- Anti-Tamper Design
- Serves as a trigger for alarms or remote monitors
- Provides assurance that protected doors are under surveillance
- Simple Installation
- BMS - Balanced Magnetic Switch provides improved security

### Features

- Polarity selection is non-critical
- Flush switches are self-locking
- Color selection white/brown
- Flush switches are solid, one-piece design with no need for extra donut adapters
- Durable Magnet
- Wide range of alarm and signal applications

### Technical Information

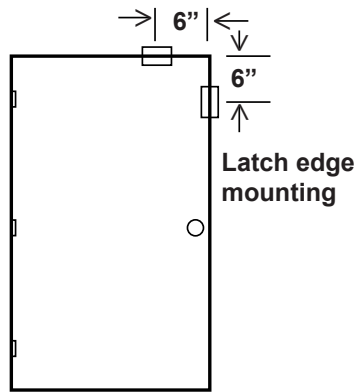
- Surface switches have Max. Contact rating 30VDC @ 250mA
- Flush switches have Max. Contact rating 28VDC, 0.5A, 10W
- For use on steel, aluminum or wood doors and frames
- Overhead (preferred) or latch-stile mounting available for all models
- Switch - single pole, single throw (SPST)
- Normally closed contact
- The MS-1039F (Flush mount) should have the switch contact housed in the door frame and the magnet mortised in the edge of the door

### Finishes

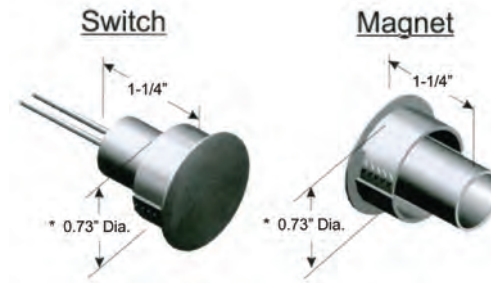
- MS-1039F/S - White
- MS-1059F/S - Brown

## Riser Diagram

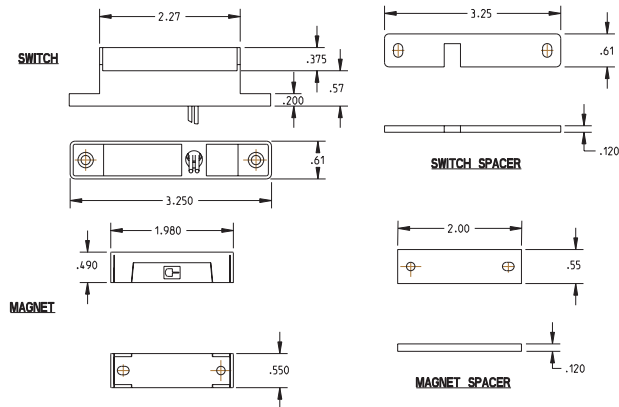
Overhead mounting (preferred)



## Dimensions (MS-1039F/MS-1059F)



## Dimensions (MS-1039S/MS1059S)



**Detex Limited Warranty**  
 3 Years Limited Manufacturers  
 Warranty

*Where Trust is Built™*  
**DETEx**®  
*Life Safety and Security Door Hardware*

Detex Corporation  
 302 Detex Drive  
 New Braunfels, Texas 78130-3045 USA  
 PH. (830) 629-2900  
 (800) 729-3839  
 FAX (830) 620-6711  
 (800) 653-3839  
<http://www.detex.com>  
 USA Sales:  
[marketing@detex.com](mailto:marketing@detex.com)  
 International Sales:  
[export@detex.com](mailto:export@detex.com)



# PUSHBUTTON CONTROLS

## PB-2000 / 2100 Series

Simple to install and easy to use, the PB-2000 series of push button controls allow for lock or magnetic lock release in access control and request to exit applications.



PB-2048



PB-2158



PB-2138

### Benefits

---

- Fast and easy installation
- Aesthetically pleasing design fits any décor

### Features

---

- Fits single switch box - flush or surface - approximately 2"

### Mechanical Options

---

- Mushroom button (Std.)
- Fits standard 2" switch box (Std.)
- Narrow/Mullion Plate
- Shrouded button
- Key switch cover

### Electrical Options

---

- Available in Normally Open, Normally Closed or Form C
- Available in Momentary or Maintained configurations

### Technical Information

---

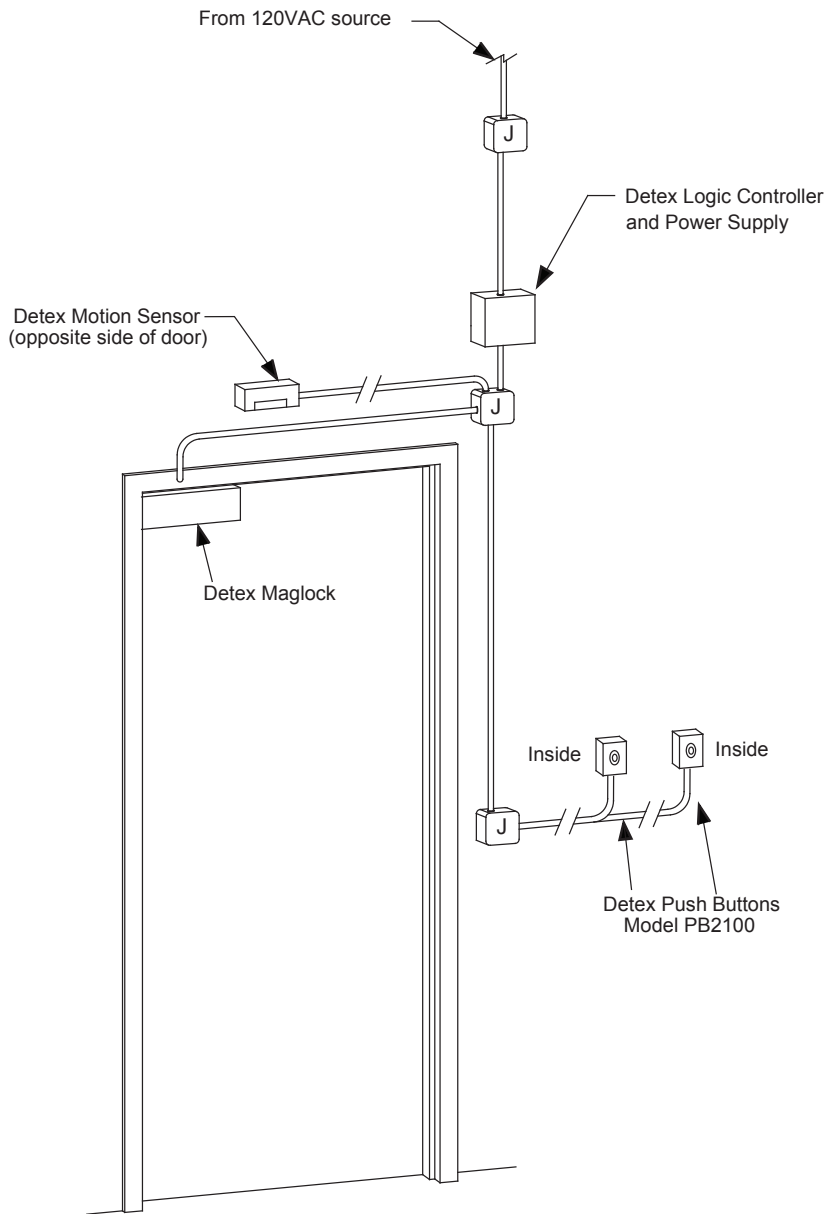
- 12-24 VAC @ 100 mA
- Switch - UL File #E66677
- Switch - CSA Certified

### Finishes

---

- Painted Aluminum
- Stainless Steel

## Riser Diagram



## Detex Limited Warranty

1 Year Limited Manufacturers  
Warranty

*Where Trust is Built™*  
**DETEx®**  
*Life Safety and Security Door Hardware*

Detex Corporation  
302 Detex Drive  
New Braunfels, Texas 78130-3045 USA  
PH. (830) 629-2900  
(800) 729-3839  
FAX (830) 620-6711  
(800) 653-3839  
<http://www.detex.com>  
USA Sales:  
[marketing@detex.com](mailto:marketing@detex.com)  
International Sales:  
[export@detex.com](mailto:export@detex.com)

# MISCELLANEOUS

## Power Transfers

Exposed or concealed, power transfers are used to protect wires that electrify door hardware. Either transmitting power to a low voltage electric latch retraction exit device or signaling a remote camera, wire transfers are essential to electrified door hardware.

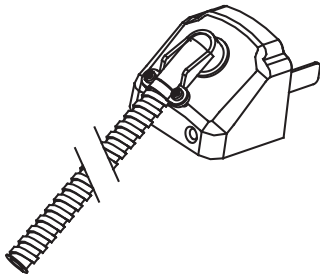
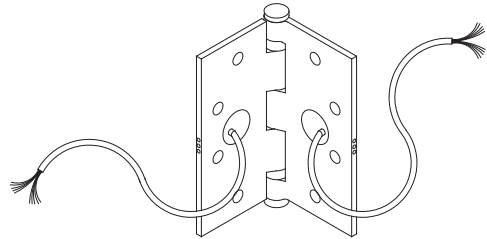


**PT-5** - Power Transfer loops provide a means of running wires from the frame to doors equipped with electric locks and exit devices. The PT-5 is a heavy-duty power transfer device, concealed mortise mount, UL listed miscellaneous fire door accessory. It is UL 10C positive pressure compliant and UBC 7-2 Fire Test for Door Assemblies compliant.

Dimensions: 10-1/4" L x 1" W x 3/4" D

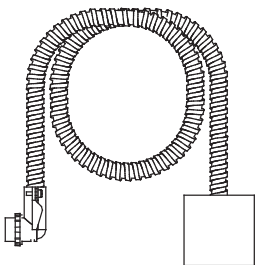
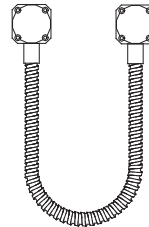
**EWH8-626** - This five-knuckle energy transfer hinge is ideal for door that require concealed low voltage transfer of power from the hinge jamb to the door. With a total of eight (8) wires, there are two (2) 20AWG for power, two (2) 22AWG for by-pass inputs and four (4) 28AWG for signaling, the center hole wire access location makes for easy installation

Hinge Size: 4.5" x 4.5"



**FCA** - Flex conduit and End Cap gives you 3 feet of flexible conduit, 10 wires with couplers with pin receptacle connectors and the Advantex standard end-cap with fittings.

**AL18** - Surface Mount Armor Loops - 18 inch long flexible conduit with two (2) stainless steel ends with two (2) couplers.



**JB1** - Junction Box - Flex Conduit Kit for use with EM Delayed Egress device. Contains 9-1/2 feet of flex conduit, wire connectors and clamps required for installation.

Box Dimensions:  
4 5/8" W x 4 5/8" L x 2" D

Where Trust is Built™  
**DETEx**®  
Life Safety and Security Door Hardware

Detex Corporation  
302 Detex Drive  
New Braunfels, Texas 78130-3045 USA

PH. (830) 629-2900

(800) 729-3839

FAX (830) 620-6711

(800) 653-3839

<http://www.detex.com>

USA Sales:

[marketing@detex.com](mailto:marketing@detex.com)

International Sales:

[export@detex.com](mailto:export@detex.com)

# AUXILIARY PRODUCTS

## Weatherized Horn/Strobe

---

For added security in your facility, Detex offers a line of additional horns, strobes and horn/strobe combinations. When the environment is noisy, or when you need exterior sounders, these weatherized products will draw your attention to possible breaches in your security.



HR2  
Horn Only



HSR2  
Horn / Strobe

---

### Benefits

- Plug-in design speeds installation
- Ample room in backbox prevents nicked/crushed wires
- Mounting plate shorting spring tests wiring before installation

---

### Features

- Plastic weatherproof back box
- Knock-outs eliminate need for drilling
- Resistant to saltwater corrosion
- Outdoor horns, strobes and horn/strobes listed to NEMA 4X

---

### Electrical Options

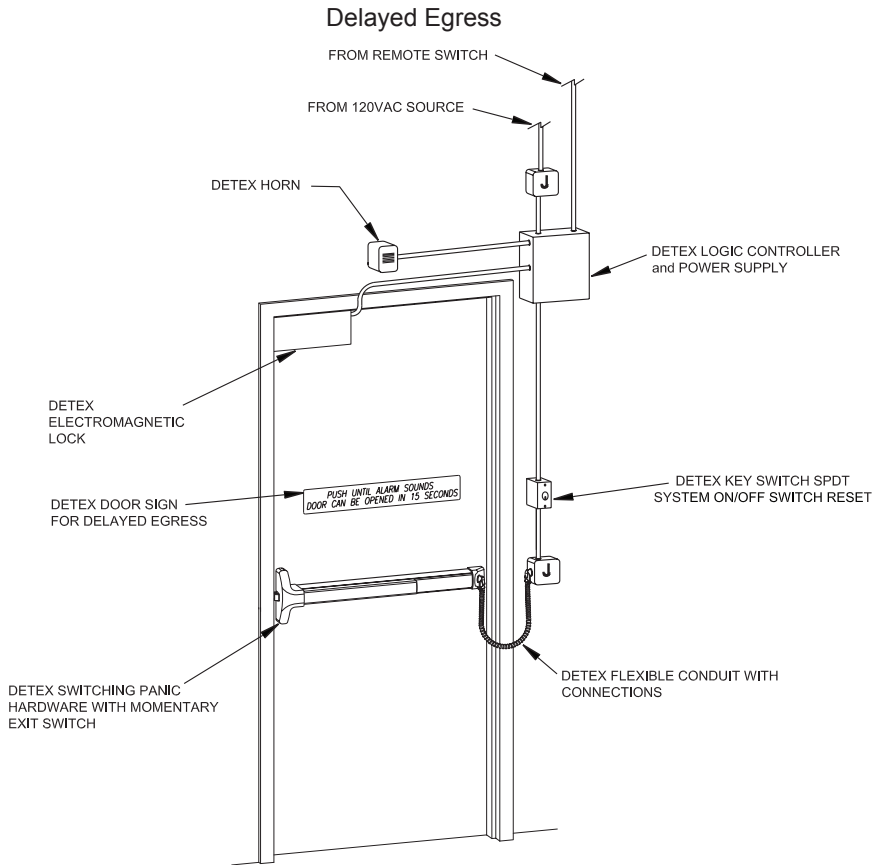
- HR2 - Horn only, 2-wire, 12/24VDC
- SR2 - Strobe only, 2 wire, 12/24VDC
- HSR2 - Horn/Strobe, 2 wire, 12/24VDC
- HSR4 - Horn/Strobe, 4 wire, 12/24VDC

---

### Technical Information

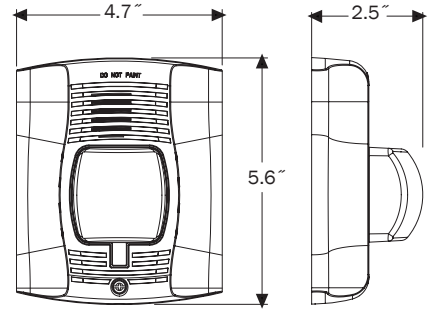
- Standard operating temperature - 32 to 120F (-40 to 66C)
- Strobe flash rate - 1 per second
- Input terminal wire gauge - 12 to 18 AWG

## Riser Diagram

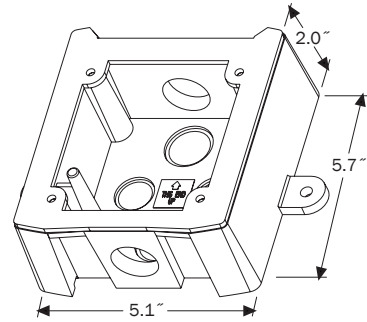


**NOTE:** All items above sold separately or in EasyKit DEX10EXx1S-1

## Dimensions



Wall-mount horn/strobes



Wall weatherproof back box

## Listings and Approvals

**SIGNALING**  
**UL**  
**LISTED**

"U.L. listed Outdoor Products to UL 1638 (Strobe) and UL 464 (Horn) outdoor requirements"



7125-1653:186 (indoor strobes)  
7300-1653:187 (outdoor strobes)  
7125-1653:188 (horn/strobes, chime/strobes)  
7135-1653:189 (horns, chimes)

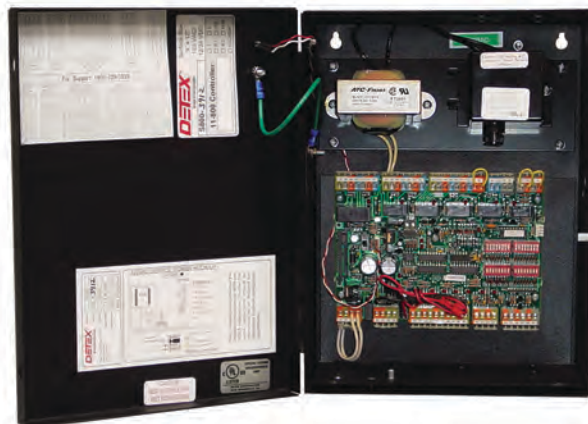
Where Trust is Built™

**DETEX**®

Life Safety and Security Door Hardware

Detex Corporation  
302 Detex Drive  
New Braunfels, Texas 78130-3045 USA  
PH. (830) 629-2900  
(800) 729-3839  
FAX (830) 620-6711  
(800) 653-3839  
<http://www.detex.com>  
USA Sales:  
[marketing@detex.com](mailto:marketing@detex.com)  
International Sales:  
[export@detex.com](mailto:export@detex.com)

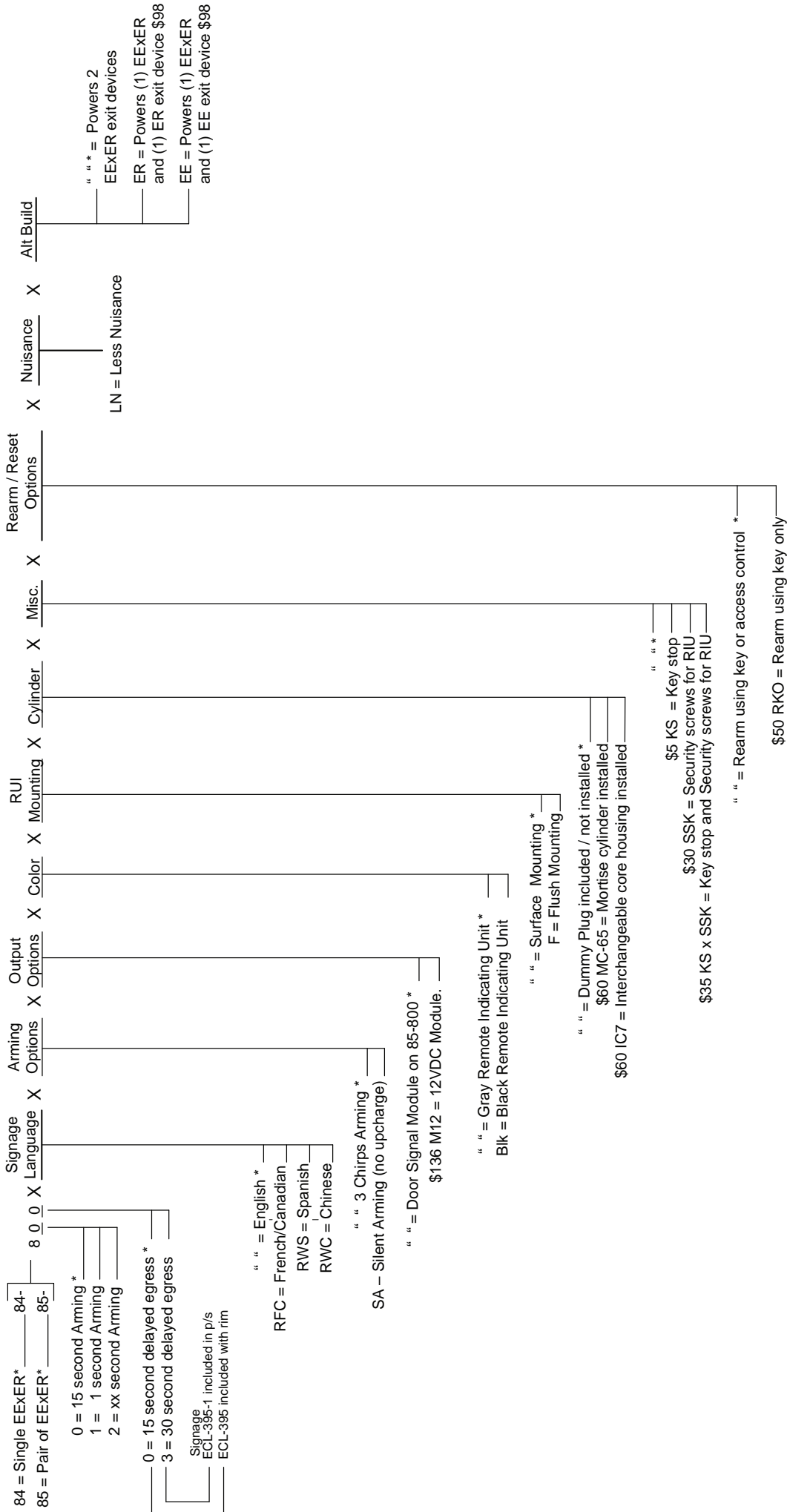
# *Life Safety and Security Door Hardware*



**Series 800**

# Series 800 How To Order

Note: \* indicates default



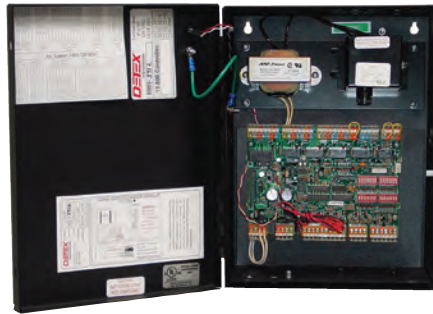
# **SERIES 800**

## **10-800 / 11-800**

### **Controller**

---

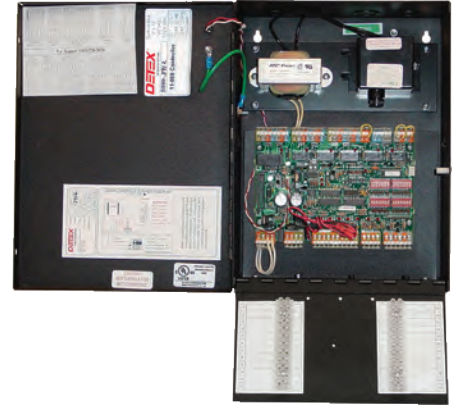
The Detex 10-800 and 11-800 are universal logic and power supply controllers that allow for total control over all electrified hardware. The controller receives input from a switch, access control or any dry contact device and processes it into the desired output. One controller can manage applications for up to two doors, such as standard egress, delayed egress and interlocks. All connections for local or remote signaling are contained in one box. The 10-800 and 11-800 logic controllers provide at least 2A of DC power at the door. A battery backup/charging circuit is standard with each controller to deliver an uninterrupted source of power for up to 4 hours (battery sold separately).



10-800  
Shown open



10-800  
or  
11-800  
Shown closed



11-800  
Shown open

**NOTE:** 10-800 and 11-800 available in Black  
11-800 same as 10-800 but with added 24 point terminal strip and flip-down tray

#### **Benefits**

- Central terminal connections provide easy wiring
- In-line fuse protects against power surges
- Designed specifically to support electric locks, access control systems and delayed egress systems
- Multiple fire alarm relay input options assure compliance to various life safety codes
- On/Off switch allows for easy service and inspection

#### **Features**

- Power supply and controller all in one box
- Controls up to 2 separate doors for standard egress or 2-door interlock applications
- 1 controller required for each independent delayed egress application
- Output relays for locks, local alarm and remote alarms
- Relays may be configured to wet or dry connections
- Status LED's toggle on or off for easy troubleshooting
- Connections are labeled with either numbering scheme or label with text to identify circuits
- Single AC line voltage required to activate
- Dual voltage selection (12/24VDC)
- 9VDC, 100mA output terminal tap
- Fuse protection
- Battery backup circuit - standard
- Other Models include:
  - 30-800\* - Surface box - Zinc plated, lid and Series 800 controller
  - 31-800\* - Flat mount plate and Series 800 controller
  - 40-800\* - Same as 11-800 without transformer
  - 41-800\* - Same as 10-800 without transformer
  - 50-800\* - Series 800 controller only, no box

\* Requires low voltage source

#### **Mechanical Options**

- Cover lock key
- Battery box extension
- 24 point terminal strip and flip down tray included with the 11-800



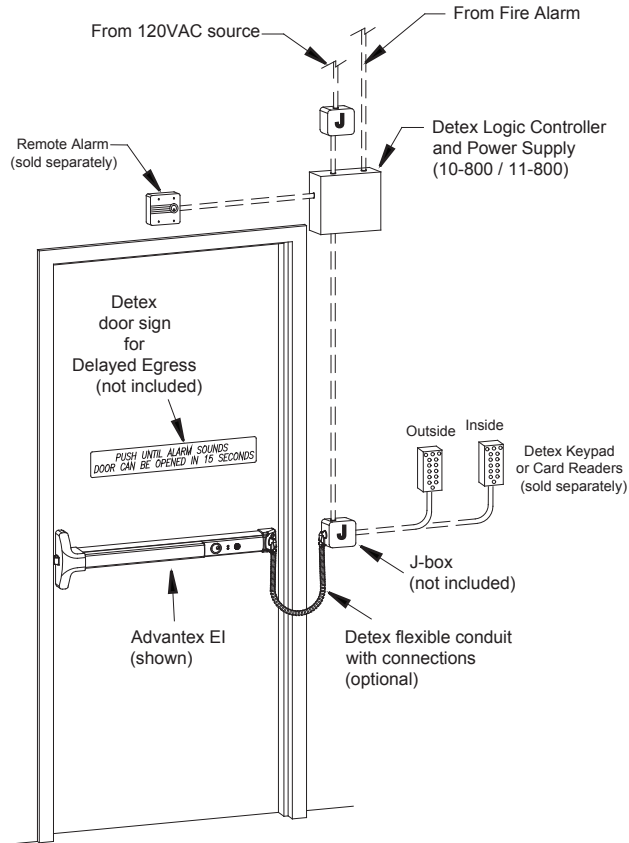
## Electrical Options

- Access Control compatible
- Tamper Switch
- Battery backup, 12VDC or 24VDC, 4AH
- Pre-wired terminal strip with labels for easy identification (11-800)
- M12 module provides 12VDC @ 400mA for access control components

## Technical Information

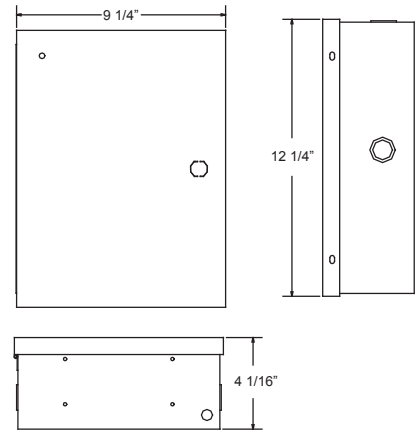
- 110VAC input
- 12 or 24 VDC output, 2A
- Lock Relay 2A
- Remote Relay 2A
- Controls 2 doors within 100 feet using 18ga stranded wires
- Bolt Position /Door Position Switches Relay 2A
- Local Alarm Relay 5A

## Riser Diagram



Typical Application -  
Delayed Egress with Access Control

## Dimensions (10-800/11-800)



## Listings and Approvals



UL Listed  
Power Supply  
and Special  
Locking  
Arrangement  
(Delayed Egress)

## Detex Limited Warranty

3 Year Limited Manufacturer's  
Warranty

Where Trust is Built™  
**DETEx**®  
Life Safety and Security Door Hardware

Detex Corporation  
302 Detex Drive  
New Braunfels, Texas 78130-3045 USA  
PH. (830) 629-2900  
(800) 729-3839  
FAX (830) 620-6711  
(800) 653-3839  
<http://www.detex.com>  
USA Sales:  
[marketing@detex.com](mailto:marketing@detex.com)  
International Sales:  
[export@detex.com](mailto:export@detex.com)

# SERIES 800

## 80-800 / 90-800

### Power Supply

The Detex 80-800 or 90-800 Power Supply is designed for applications requiring a continuous supply of a regulated, filtered output voltage. The Detex 80-800 Power Supply includes a battery charging circuit. Batteries provide backup for uninterrupted service.



80-800



90-800

### Benefits

- Simplifies installations that do not require a conduit, Class 2 outputs standard and may be wired directly to 115VAC input
- Provides continuous regulated and filtered 12VDC or 24VDC (80-800); 24VDC (90-800)
- Provides individual fused protection, field reset
- Designed specifically to support electric locks and access control systems
- On/Off switch allows for easy service and inspection

### Features

- Fire alarm input provides release of fail-safe locks in case of emergency (80-800/90-800)
- Battery charging circuit, PTC protection (80-800 only)
- Heavy gauge enclosure, 18ga (80-800/90-800)
- Field selectable outputs (80-800 only)
- LED system status indicator (80-800/90-800)
- Low battery disconnect when batteries are below 70% capacity (80-800 only)
- Auto-resetting circuit protection (80-800/90-800)
- Class 2 outputs (80-800/90-800)

### Accessories

- Batteries (80-800 only)

### Technical Information

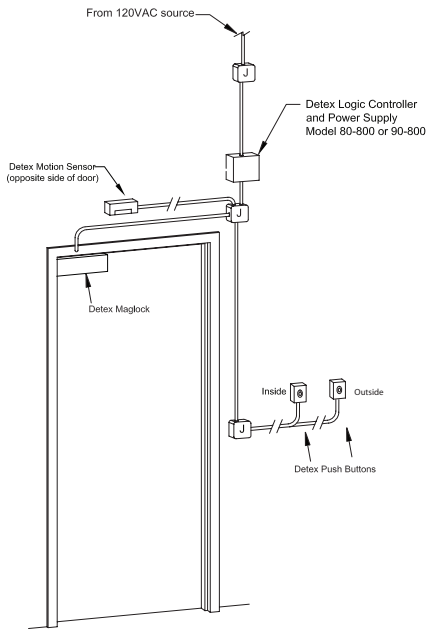
- Input: 115VAC, 50/60 Hz
- 80-800 (1) Output: 12 or 24VDC, 1A
- Battery Charger: 13.5/27VDC, 500mA (80-800 only)
- Class 2 Rated
- 90-800 (2) Outputs: 24VDC, 1A

## Finishes

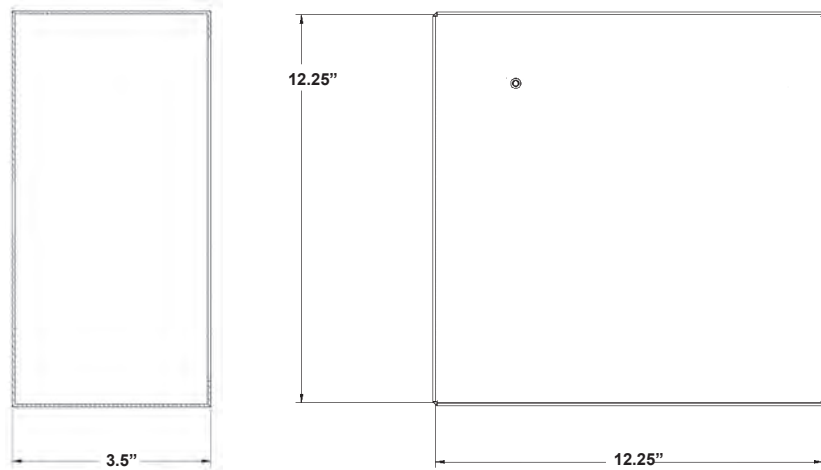
• Painted Beige - 80-800

• Painted Black - 90-800

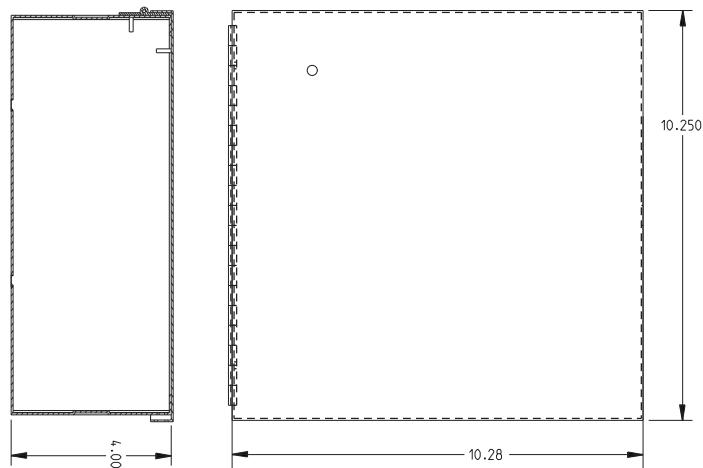
## Riser Diagram



## Dimensions (80-800)



## Dimensions (90-800)



## Listings and Approvals



## Detex Limited Warranty

3 Year Limited Manufacturer's Warranty

*Where Trust is Built™*  
**DETEX®**  
*Life Safety and Security Door Hardware*

Detex Corporation  
302 Detex Drive  
New Braunfels, Texas 78130-3045 USA  
PH. (830) 629-2900  
(800) 729-3839  
FAX (830) 620-6711  
(800) 653-3839  
<http://www.detex.com>  
USA Sales:  
[marketing@detex.com](mailto:marketing@detex.com)  
International Sales:  
[export@detex.com](mailto:export@detex.com)

# **SERIES 800**

**81-800 / 82-800 / 83-800**

**Logic / Power Supply - Latch Retraction**

---

Detex Series 800 logic and power supplies convert 120VAC into regulated and filtered 24VDC, providing a secure, consistent, power feed to various electrified door hardware accessories, primarily access control components, such as Detex latch retraction exit devices.



**81-800 / 82-800**



**83-800**

---

## **Benefits**

- Filtered and regulated 24VDC power protects circuitry from stray power surges and spikes
- While others require 2 amp power supplies for single door applications, Detex allows you to specify and supply the economical 81-800 for single door latch retraction applications
- The Series 800 products have been engineered to provide superior operation through design integration with all Detex electric latch retraction options

---

## **Features**

- 81-800 - 1 AMP continuous, controlling 1 Detex latch retraction (ER) device for 1 door
- 82-800 - 2 AMP continuous, controlling 2 Detex latch retraction (ER) devices for a pair of doors
- 83-800 - 2 AMP continuous, controlling 2 Detex latch retraction (ER) devices for 2 independent doors
- Battery charging circuit included standard (batteries sold separately) - see accessories
- Design provides enough power to cycle Detex latch retraction motor, one time, even if power is lost while attempting to open the door and gain access
- 81-800, 82-800 and 83-800 have standard output used to signal automatic door operators

---

## **Mechanical Options**

- L - cover lock (cam style) & 2 keys

---

## **Electrical Options**

- M12 - 12 volt module provides 12VDC power

---

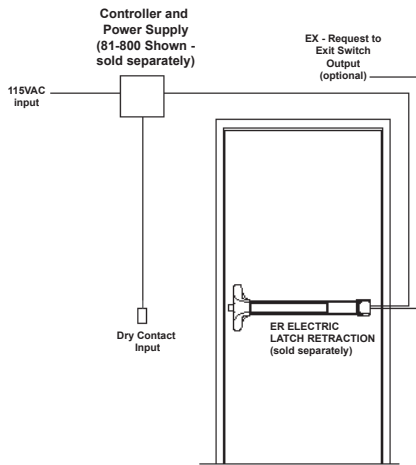
## **Accessories**

- 70-24B - 24VDC 4 AMP hour battery pack

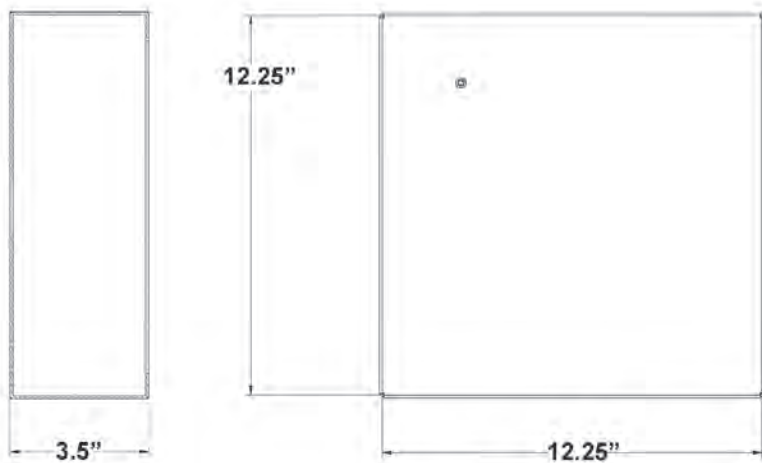
## Technical Information

- 12.25" high x 12.25" wide x 3.5" deep
- 18 gauge steel
- Machine and Sheet Metal Screws (Std.)
- Beige with hinged cover
- Knockout holes provided for conduit connection

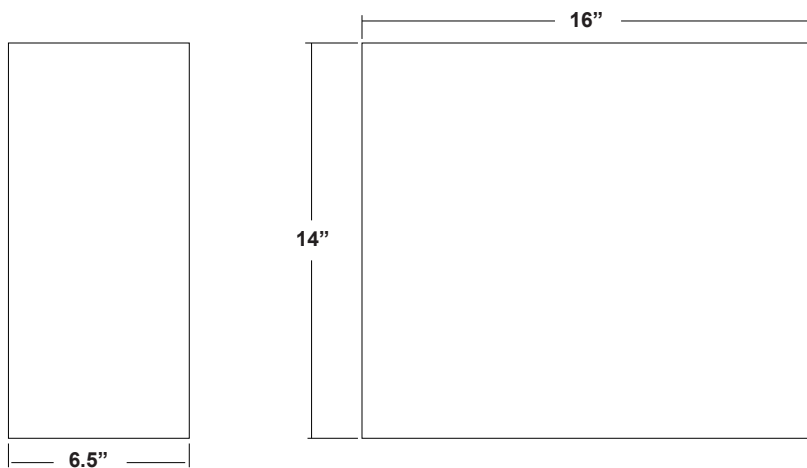
## Riser Diagram



## Dimensions (81-800 and 82-800)



## Dimensions (83-800)



## Detex Limited Warranty

3 Year Limited Manufacturers Warranty

## Listings and Approvals



U.L. Listed



Meets NFPA 80 & 101 for Life Safety, CA Title 19



ANSI/BHMA requirements for all Building Codes

*Where Trust is Built™*  
**DETEX®**  
*Life Safety and Security Door Hardware*

Detex Corporation  
 302 Detex Drive  
 New Braunfels, Texas 78130-3045 USA  
 PH. (830) 629-2900  
 (800) 729-3839  
 FAX (830) 620-6711  
 (800) 653-3839  
<http://www.detex.com>  
 USA Sales:  
[marketing@detex.com](mailto:marketing@detex.com)  
 International Sales:  
[export@detex.com](mailto:export@detex.com)

# SERIES 800

## 84-800 / 85-800

### Logic / Power Supply - Latch Retraction

---

Detex 84-800 and 85-800 are universal logic and power supply controllers that convert 120VAC into regulated and filtered 24VDC, providing a secure, consistent, power feed to the Detex electric latch retraction delayed egress exit devices.



**84-800**



**85-800**

---

### Benefits

- Power supply and controller all in one box
- All connections centralized
- Single AC line voltage required to activate
- Allows you to specify and supply the economical 84-800 for single door or 85-800 for 2-door latch retraction, delayed egress applications
- The Series 84-800 and 85-800 products have been engineered to provide superior operation through design integration with electric latch retraction, delayed egress options

---

### Features

- 84-800 - 1A continuous, controls 1 Detex electric latch retraction, delayed egress (EExER) device for 1 door
- 85-800 - 2A continuous, controls 2 Detex electric latch retraction, delayed egress (EExER) devices for a pair of doors
- Fuse protected
- Filtered and regulated 24VDC power protects circuitry from stray power surges and spikes
- Fire alarm input for life safety compliance
- Connections are labeled to identify circuits
- Cable harnesses engineered to take guesswork out of making correct point to point connections
- Cable harness lengths allow 84/85-800 enclosures to be located up to 15' from device
- Status LEDs toggle on or off for easy troubleshooting
- Output relay for local and remote alarm

---

### Mechanical Options

- Cover lock key

---

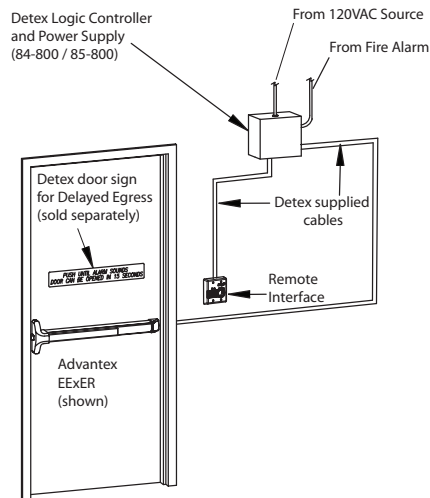
### Electrical Options

- 12VDC @ 300mA module in addition to 24VDC power

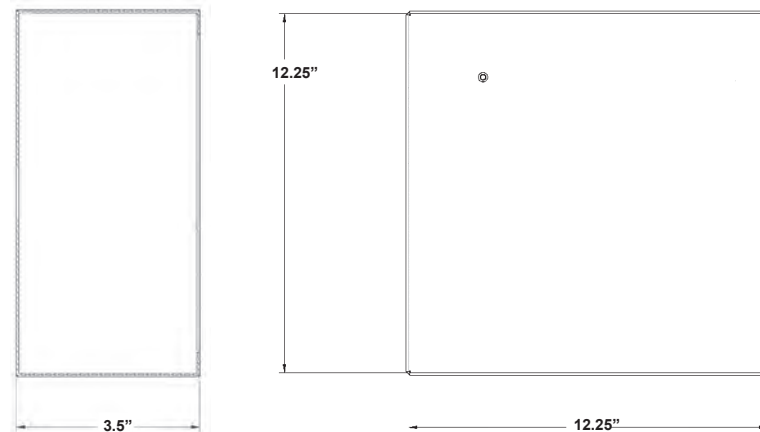
## Technical Information

- 12.25" high x 12.25" wide x 3.5" deep (84-800)
- 14" high x 16" wide x 6.5" deep (85-800)
- Beige with hinged cover
- 18 gauge steel
- Knockout holes provided for conduit connection
- 110VAC input
- 24VDC output, 1A (84-800) or 2A (85-800)
- Machine and Sheet Metal Screws (Std.)

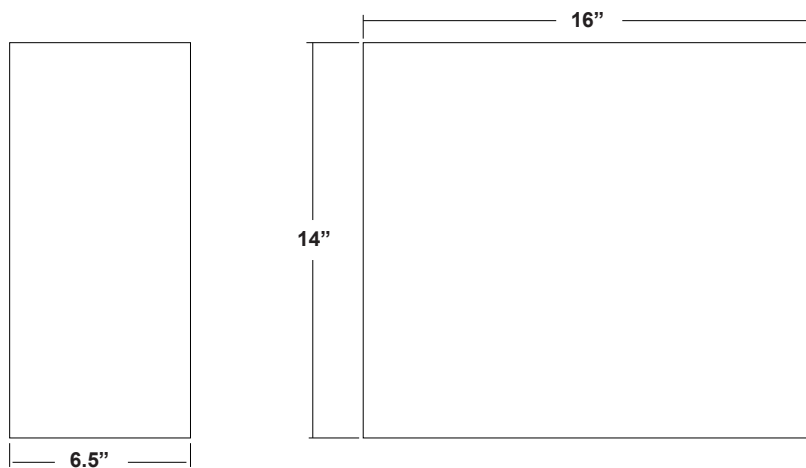
## Riser Diagram



## Dimensions (84-800)



## Dimensions (85-800)



## Listings and Approvals



U.L. Listed



Meets NFPA 80 & 101  
for Life Safety,  
CA Title 19



ANSI/BHMA  
requirements for all  
Building Codes

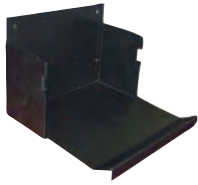
## Detex Limited Warranty

3 Year Limited Manufacturers  
Warranty

Where Trust is Built™  
**DETEX**®  
Life Safety and Security Door Hardware

Detex Corporation  
302 Detex Drive  
New Braunfels, Texas 78130-3045 USA  
PH. (830) 629-2900  
(800) 729-3839  
FAX (830) 620-6711  
(800) 653-3839  
<http://www.detex.com>  
USA Sales:  
[marketing@detex.com](mailto:marketing@detex.com)  
International Sales:  
[export@detex.com](mailto:export@detex.com)

### Batteries



**70-02B** - Battery Box Extension; Black; Battery sold separately



**70-12B** - 12VDC 4AH - 1 battery provided



**70-24B** - 24VDC 4AH - 2 batteries provided



# *Integrated Door Security Systems*

**EasyKit<sup>®</sup>**



# EasyKit®

## ACDx10xE5000

### Access Controlled Doors

The ACDxE5000 EasyKit offers industry-proven life safety and security hardware for high-use, high-abuse doors with a cost-effective access control solution.



#### Benefits

- Cost-effective access control with panic hardware in one easy-to-install kit
- No key or cards to manage
- Audit trail provides additional security management
- Optional easy-to-use Excel-based software
- Pin code can be changed in seconds
- Easy-to-replace standard AA batteries
- Tough and durable design for years of trouble-free service in high-use, high-abuse environments
- Minimal door prep with no through-door wiring saves time and money

#### Features

- E5000 features cast stainless steel internal drive parts
- Stainless steel deadlocking Pullman-type latch bolt on exit device
- Weatherproof trim requires no outside gasket
- Non-handed
- Field sizeable panic device
- E5000 offers up to 100 access codes
- 1/8 turn dogging
- Heavy-duty angled end cap deflects damage away from panic device
- Battery pack included

**For more information on 10 Series exit devices, see individual catalog pages**

**For more information on E5000 visit [www.kaba-ilco.com/access\\_control](http://www.kaba-ilco.com/access_control)**

#### Mechanical Options

- CD - Cylinder Dogging
- HD - Hex Dogging (Std.)
- LD - Less Dogging
- 36 - Fits 36" door width (Std.)
- 48 - Fits 48" door width
- F - 3-Hour Fire Rated (both E5000 and panic device)
- H - Hurricane Rated
- 99 - surface strike (Std.)
- 98 - semi mortise strike

#### Electrical Options

- Exit Alarm (EA)
  - Electric Dogging (ED)
  - Electric Integration (EI)
  - Electric Latch Retraction (ER)
  - Delayed Egress - Self Contained (EE)
  - Delayed Egress with Latch Retraction (EExER)
  - Delayed Egress - Mag Lock (EM)
  - Electric Switching (ES)
  - Request to Exit (EX/EXV)
  - Request to Exit Weatherized (EXxW)
- Refer to Electrified Options section for more information

## Accessories

- SN1 - Sex Nut Fasteners
- SSK1 - Torx Security Screw Kit

## Technical Information

- Door Types - Wood, Hollow Metal, Fiberglass or Aluminum
- Door Thickness - Fits standard 1-3/4" - 2-1/4" (for other door thicknesses, contact factory)
- Door Stile - Fits minimum 5" wide stile with 99 strike (Std.)
- Machine and Sheet Metal Screws (Std.)
- Rail - Heavy Ribbed Aluminum Extrusion
- E5000 numeric pushbuttons - vandal resistant, 12 button, metal keys
- E5000 construction is solid cast housing and solid cast zinc levers

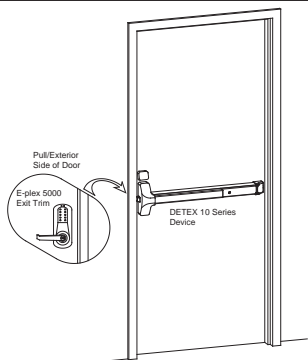
## Finishes (Kaba)

- 626/26D Satin Chrome
- 606/04 Lifetime Satin Brass
- 695/55 Duranodic
- 605/03 Lifetime Bright Brass

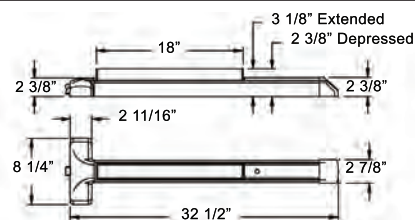
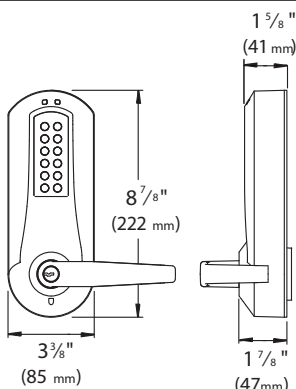
## Finishes (Advantex)

- 605 / US3 - Polished Brass
- 606 / US4 - Brushed Brass
- 611 / US9 - Polished Bronze
- 612 / US10 - Brushed Bronze
- 613 / US10B - Oil Rubbed Bronze
- 629 / US32 - Polished Stainless Steel
- 630 / US32D - Brushed Stainless Steel

## Riser Diagram



## Dimensions



10 Series Dimensions Shown

## Detex Limited Warranty

Advantex - 10 Year Mechanical /  
3 Year Electrical Manufacturers  
Limited Warranty

E5000 - 3 year Manufacturers  
Warranty

## Listings and Approvals Advantex

- UL Listed Panic Hardware
- UL Listed Fire Exit Hardware for 3 hours, maximum
- 4'x10' single doors and pairs of 4'x8' with F90KR key removable Mullion
- Meets ADA requirements
- UBC 97, Standard 7-2 and UL10C for positive pressure
- ANSI/BHMA certified A156.3
- Meets NFPA 80 & 101 for Life Safety
- Miami-Dade County, Florida } 10 Series  
NOA 10-0303.02 EXP. 04/07/15 } Only
- State of Florida Approval FL9052
- California State Fire Marshall -  
4140-0127:105 and  
3725-0127:108

## Listings and Approvals E5000

- 3 Hour UL & ULC fire rating for "A" labeled doors
- Meets ADA requirements
- ANSI/BHMA A156.2-2001 Grade 1

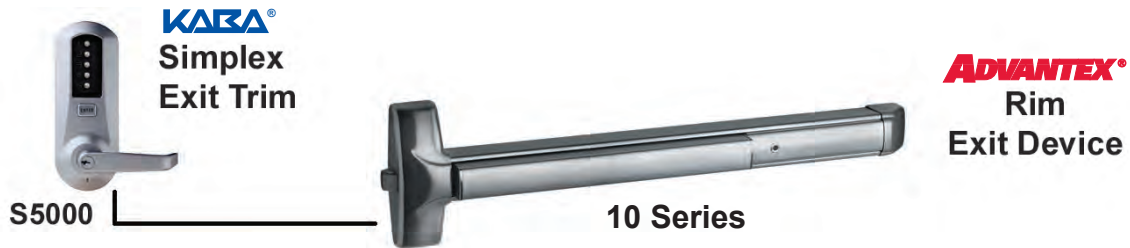
*Where Trust is Built™*  
**DETEX®**  
*Integrated Door Security Systems*

Detex Corporation  
302 Detex Drive  
New Braunfels, Texas 78130-3045 USA  
PH. (830) 629-2900  
(800) 729-3839  
FAX (830) 620-6711  
(800) 653-3839  
<http://www.detex.com>  
USA Sales:  
[marketing@detex.com](mailto:marketing@detex.com)  
International Sales:  
[export@detex.com](mailto:export@detex.com)

# EasyKit®

## ACDx10xS5000 ACDx20/21xS5000 Access Controlled Doors

The ACDxS5000 EasyKit offers industry-proven life safety and security hardware for high-use, high-abuse doors with a cost-effective access control solution.



(Shown on 10 Series Rim Exit Device - Available with 20/21 Series Surface Vertical Rod Devices)

### Benefits

- Cost-effective access control with panic hardware in one easy-to-install kit
- One easy-to-order/specify catalog number for this turnkey solution
- No key or cards to manage
- One common pin code for all users
- Pin Code can be changed in seconds
- No batteries to replace
- Tough and durable design for years of trouble-free service in high-use, high-abuse environments
- Minimal door prep saves time and money

### Features

- S5000 features cast stainless steel internal drive parts
- Stainless steel deadlocking Pullman-type latch bolt on exit device
- Non-handed
- Field sizeable panic device
- 1/8 turn dogging
- Heavy-duty angled end cap deflects damage away from panic device

For more information on 10/20/21 exit devices, see individual catalog pages

For more information on S5000 visit [www.kaba-ilco.com/access\\_control](http://www.kaba-ilco.com/access_control)

### Mechanical Options

- CD - Cylinder Dogging
- HD - Hex Dogging (Std.)
- LD - Less Dogging
- 36 - Fits 36" door width (Std.)
- 48 - Fits 48" door width
- F - 3-Hour Fire Rated (both S5000 and panic device)
- H - Hurricane Rated
- 99 - surface strike (Std.)
- 98 - semi mortise strike

### Electrical Options

- Exit Alarm (EA)
  - Electric Dogging (ED)
  - Electric Integration (EI)
  - Electric Latch Retraction (ER)
  - Delayed Egress - Self Contained (EE)
  - Delayed Egress with Latch Retraction (EEExER)
  - Delayed Egress - Mag Lock (EM)
  - Electric Switching (ES)
  - Request to Exit (EX/EXV)
  - Request to Exit Weatherized (EXxW)
- Refer to Electrified Options section for more information

## Accessories

- SN1 - Sex Nut Fasteners
- SSK1 - Torx Security Screw Kit

## Technical Information

- Door Types - Wood, Hollow Metal, Fiberglass or Aluminum
- Door Thickness - Fits standard 1-3/4" - 2-1/4" (for other door thicknesses, contact factory)
- Door Stile - Fits minimum 5" wide stile with 99 strike (Std.)
- Machine and Sheet Metal Screws (Std.)
- Rail is Heavy Ribbed Aluminum Extrusion
- S5000 numeric pushbuttons - vandal resistant, anodized aluminum
- S5000 construction is solid cast housing and solid cast zinc levers

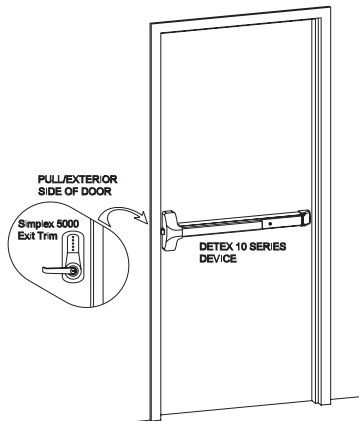
## Finishes (KABA)

- 626/26D Satin Chrome
- 695/55 Duranodic
- 605/03 Lifetime Bright Brass
- 606/04 Lifetime Satin Brass

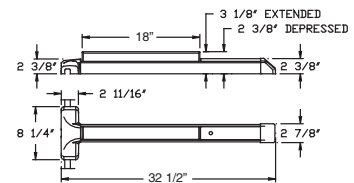
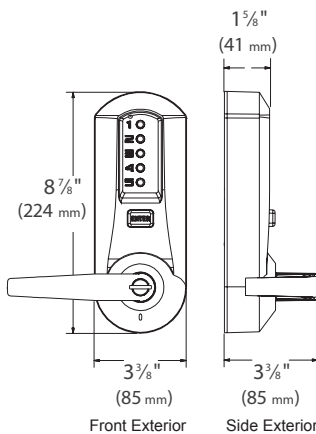
## Finishes (Advantex)

- 605 / US3 - Polished Brass
- 612 / US10 - Brushed Bronze
- 629 / US32 - Polished Stainless Steel
- 606 / US4 - Brushed Brass
- 613 / US10B - Oil Rubbed Bronze
- 630 / US32D - Brushed Stainless Steel
- 611 / US9 - Polished Bronze

## Riser Diagram



## Dimensions



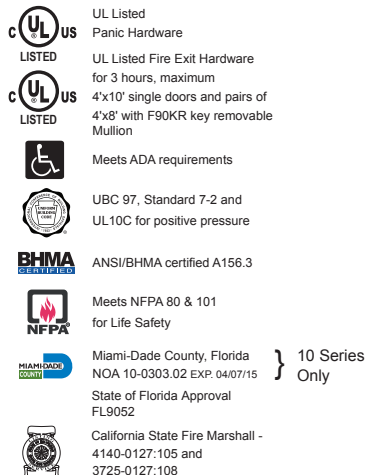
10 Series Dimensions Shown

## Detex Limited Warranty

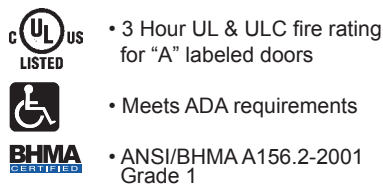
Advantex - 10 Year Mechanical /  
3 Year Electrical Manufacturers  
Limited Warranty

S5000 - 3 year Manufacturers  
Warranty

## Listings and Approvals Advantex



## Listings and Approvals S5000



*Where Trust is Built™*  
**DETEX®**  
*Integrated Door Security Systems*

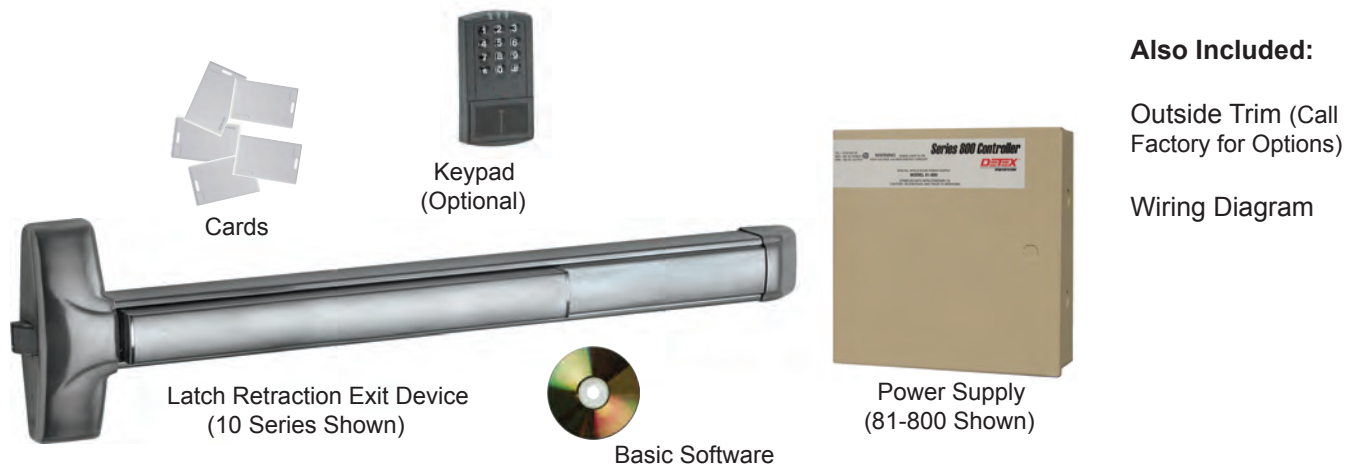
Detex Corporation  
302 Detex Drive  
New Braunfels, Texas 78130-3045 USA  
PH. (830) 629-2900  
(800) 729-3839  
FAX (830) 620-6711  
(800) 653-3839  
<http://www.detex.com>  
USA Sales:  
[marketing@detex.com](mailto:marketing@detex.com)  
International Sales:  
[export@detex.com](mailto:export@detex.com)



## ACDx10ER ACDx40ER

### Access Controlled Doors with Latch Retraction

The ACDx10ER EasyKit offers industry-proven life safety and security hardware for high-use, high-abuse doors with innovative, access control readers and software providing an easy-to-install, access control solution.



(Shown on 10 Series Rim Exit Device - Available with 10/40 Rim, 30 Mortise and 20/21/50/51 Surface Vertical Rod Devices)

#### Benefits

- Innovative, robust proximity technology allows for heavy access control applications
- Easy-to-install, heavy-duty hardware provides years of trouble-free, heavy access control
- Easy-to-manage software tracks hundreds of users and cards
- Easily managed, add or delete users as needed, when necessary
- EasyKit includes all required hardware, wiring and riser diagrams for easy to order, easy to install, easy to use package
- Each kit is easily configured for entry read and/or exit read applications
- Minimal door and frame prep saves time and money

#### Features

- Kit includes, Power supplies, Controllers, Latch Retraction Exit Device with trim, 2 access control readers, cards and basic software
- Stainless steel deadlocking Pullman-type latch bolt on exit device
- Non-handed exit hardware
- Heavy-duty angled end cap deflects damage away from panic device

#### Mechanical Options

- 36 - Fits 36" door width (Std.)
- 48 - Fits 48" door width
- F - 3 hour fire rated exit device
- H - Hurricane Rated exit device
- 99 - surface strike (Std.)
- 98 - semi mortise strike

#### Electrical Options

- Request to Exit (EX) pushpad switch for remote signaling upon exit
- M12 - Power Supply 12V module for other low volt accessories
- LBM - Latch Bolt Monitor
- FC - Flex Conduit and End Cap
- PT5 - Power Transfer
- EWH8-626 - Electric Hinge



## Accessories

- SN1 - Sex Nut Fasteners
- Various configurable cylinder trims, pulls and levers (Call factory for specific details)

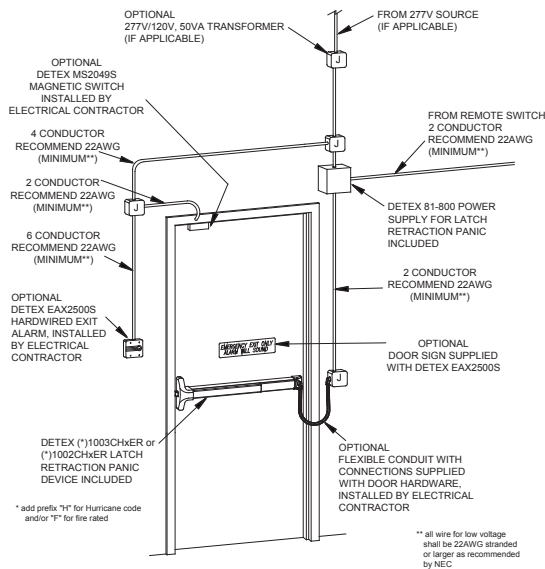
## Technical Information

- Door Types - Wood, Hollow Metal, Fiberglass or Aluminum
- Medium Stile - Wide stile rim and surface vertical rod fits minimum 5" stile with 99 strike (Std.)
- Machine and Sheet Metal Screws (Std.)
- Door Thickness - Fits standard 1-3/4" - 2-1/4" (for other door thicknesses, contact factory)
- Narrow Stile - Narrow stile rim and surface vertical rod fits minimum 2" stile with 98 strike (optional)
- Rail is heavy ribbed aluminum extrusion

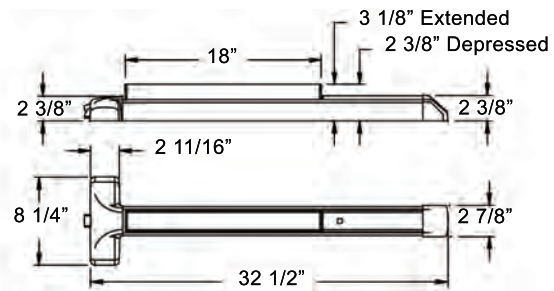
## Finishes (Advantex)

- 605 / US3 - Polished Brass
- 612 / US10 - Brushed Bronze
- 629 / US32 - Polished Stainless Steel
- 606 / US4 - Brushed Brass
- 613 / US10B - Oil Rubbed Bronze
- 630 / US32D - Brushed Stainless Steel
- 611 / US9 - Polished Bronze

## Riser Diagram



## Dimensions



10 Series Dimensions Shown

## Detex Limited Warranty -

Advantex - 10 Year Mechanical / 3 Year Electrical Manufacturers Limited Warranty

## Listings and Approvals - Advantex

- UL Listed Panic Hardware
- UL Listed Fire Exit Hardware for 3 hours, maximum
- 4'x10' single doors and pairs of 4'x8' with F90KR key removable Mullion
- Meets ADA requirements
- UBC 97, Standard 7-2 and UL10C for positive pressure
- ANSI/BHMA certified A156.3
- Meets NFPA 80 & 101 for Life Safety
- Miami-Dade County, Florida NOA 10-0303.02 EXP. 04/07/15
- State of Florida Approval FL9052
- California State Fire Marshal - 4140-0127-105 and 3725-0127-108

} 10 Series Only

Where Trust is Built™  
**DETEX**®  
 Integrated Door Security Systems

Detex Corporation  
 302 Detex Drive  
 New Braunfels, Texas 78130-3045 USA  
 PH. (830) 629-2900  
 (800) 729-3839  
 FAX (830) 620-6711  
 (800) 653-3839  
<http://www.detex.com>  
 USA Sales:  
[marketing@detex.com](mailto:marketing@detex.com)  
 International Sales:  
[export@detex.com](mailto:export@detex.com)

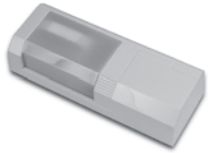
# EasyKit®

## ACDxML-1548RT

### Access Controlled Doors

---

The ACDxML-1548RT EasyKit offers industry-proven security hardware for controlled entry or exit as well as hands free entry or exit. The ACDxML-1548RT is a simple, easy-to-install, access control solution, which is ideal for selected access lobbies and preferred customer entrances/exits.



Motion Detector



Push Button



Electromagnetic Lock



Power Supply

#### Also Included:

Wiring Diagram  
(not shown)

---

#### Benefits

- Easy installation with integrated components
- Motion detector unlocks magnetic lock allowing controlled access
- Push button unlocks magnetic lock allowing controlled access
- Minimal door and frame prep saves time and money

---

#### Features

- Kit includes, Power supplies, magnetic lock, motion sensor, push button and point-to-point drawing
- May be wired to fire alarm for emergency release compliance
- Magnetic lock is equipped with a field adjustable timer to control the amount of time the magnet remains unlocked once the push button is activated.  
**NOTE:** When used in a means of egress, code requires a minimum of 30 seconds.

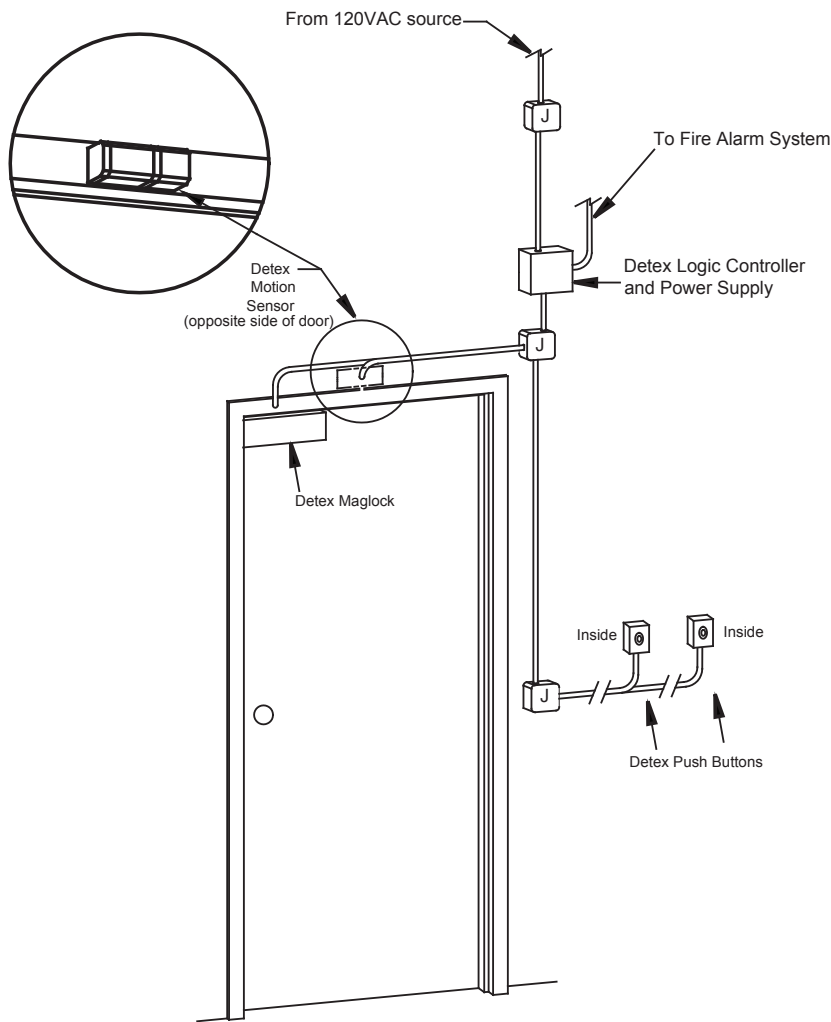
---

#### Technical Information

- Door Types - Wood, Hollow Metal, Fiberglass or Aluminum



## Riser Diagram



## Detex Limited Warranty

3 Year Limited Manufacturers  
Warranty

*Where Trust is Built™*  
**DETEX®**  
*Integrated Door Security Systems*

Detex Corporation  
302 Detex Drive  
New Braunfels, Texas 78130-3045 USA  
PH. (830) 629-2900  
(800) 729-3839  
FAX (830) 620-6711  
(800) 653-3839  
<http://www.detex.com>  
USA Sales:  
[marketing@detex.com](mailto:marketing@detex.com)  
International Sales:  
[export@detex.com](mailto:export@detex.com)



## ACDxEAX-2500Sx1S-X Access Controlled Doors

The ACDxEAX-2500 EasyKit offers industry-proven security hardware for exit doors. With its 100db horn and strobe, it is designed for use in environments where loud noises could possibly mask the sound of the alarm alone, which would sound when an unauthorized use of the exit occurs. The strobe gives you the visual indication in the event you can not hear the alarm.



Exit Alarm



Magnetic Switch



Power Supply



Horn/Strobe

ACDxEAX-2500Sx1S-5FXG (shown)

### Benefits

- Field selectable features allow customer to choose status indicators and auto rearm options
- 100dB piezo horn provides security for restricted doors
- Easy to install using ordinary tools
- Strobe provides visual indication when door is violated
- 90-800 power supply provides power for entire system
- Point to Point Wiring Diagram

### Features

- Surface & Flush mount available
- Horn/Strobe has plastic, weatherproof back box
- Tamper resistant housing and cover protects electronics from manipulation
- Low battery alert is field selectable
- Alarm status indicator is field selectable

### Mechanical Options

- KS - Key Stop (Key removed only when armed)
- Additional magnetic switch for double door applications
- EAX-2500 Flush or Surface

### Electrical Options

- Configuration allows the EasyKit to match your field voltage (277V, 120V)

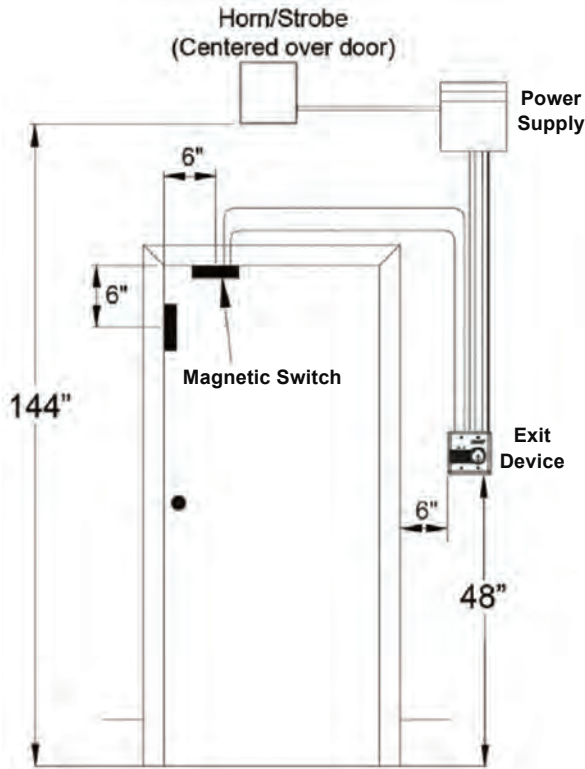
## Accessories

- MC65 - Mortise cylinder installed at factory
- IC7 - Interchangeable housing installed at factory

## Finishes

- Grey (Std.)
- Black

## Riser Diagram



## Detex Limited Warranty

3 Year Manufacturers Limited Warranty

## Listings and Approvals

EAX-2500S



ANSI/BHMA  
A156.29

90-800



UL Listed

Horn/Strobe

SIGNALING



"UL Listed Outdoor Products to  
UL 1638 (Strobe) and  
UL 464 (Horn)  
outdoor requirements"



7125-1653:186 (indoor strobes)  
7300-1653:187 (outdoor strobes)  
7125-1653:188 (horn/strobes,  
chime/strobes)  
7135-1653:189 (horns, chimes)

Where Trust is Built™

**DETEX**®

*Integrated Door Security Systems*

Detex Corporation  
302 Detex Drive  
New Braunfels, Texas 78130-3045 USA  
PH. (830) 629-2900  
(800) 729-3839  
FAX (830) 620-6711  
(800) 653-3839  
<http://www.detex.com>  
USA Sales:  
[marketing@detex.com](mailto:marketing@detex.com)  
International Sales:  
[export@detex.com](mailto:export@detex.com)

# EasyKit®

## DEx10 DEx20/21 DEx30 DEx40 DEx50/51 Delayed Egress

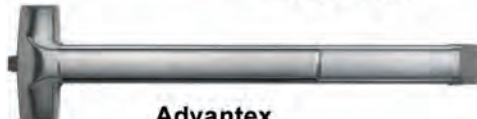
The DE EasyKits provide a secure 2-point locking system with 15-second delay and 100dB alarm when someone attempts to exit. The DE EasyKit is ideal for retail stores, healthcare, assisted-living facilities, childcare, sports arenas and any location where a special locking delayed exit is required to prevent theft or to protect those trying to exit.



Logic Controller/  
Power Supply

PUSH UNTIL ALARM SOUNDS  
DOOR CAN BE OPENED IN 15 SECONDS

Code Compliant  
Door Sign



Advantex  
Exit Device



1500 lb.  
Electromagnetic  
Lock



Horn



Also Includes:  
Mortise Cylinder,  
Riser Illustration  
and  
Wiring Diagram

Key Switch

(Shown with 10 Series Rim Exit Device - Available with 10/40 Rim, 30 Mortise and 20/21/50/51 Surface Vertical Rod Devices)

### Benefits

- Best-in-class components provide for fast, easy installation
- All hardware items provided with one easy-to-order, easy-to-specify part number
- Controls foot traffic, deters unauthorized exits, reduces employee and customer theft while providing a life safety, code-compliant application
- Key switch with LED's and horn are mounted on the wall, protecting the electronics from swinging into the weather

### Features

- Configured Delayed Egress EasyKit includes all hardware, instructions, riser illustration and point-to-point wiring diagram
- Factory-programmed, pre-wired delayed egress controller / power supply
- Advantex panic device has stainless steel deadlocking Pullman-type latch bolt
- 100dB Alarm
- Electromagnetic lock has 1500+ lbs. of holding force
- Form C, momentary key switch with green and red LEDs, arms, disarms and resets system
- Code-compliant delayed egress signage
- Hardware is non-handed (10/40) or reversible
- Fire Alarm override connected at controller / power supply
- Remote bypass and signaling options available
- Heavy-duty angled end cap deflects damage away from panic device
- Available in various configurations, for single and paired openings
- Easily add various access control options with or without an anti-tailgating option

### Mechanical Options

- F - 3-Hour Fire Rated
- H - Hurricane Rated
- CD - Cylinder Dogging
- LD - Less Dogging
- 36 - Fits 36" Door Width (Std.)
- 48 - Fits 48" Door Width
- 99 - Surface Strike
- 98 - Semi Mortise Strike

### Electrical Options

- 1 to 3 second adjustable nuisance alarm
- 120 Volt in/24 Volt out (Std.)
- Also available 277 Volt and 240 Volt

## Accessories

- SN1 – Sex Nut Fasteners
- SSK - Torx Security Screw Kit
- Various brackets/spacers for Magnetic Lock(s)
- GB - Glass Bead Kits

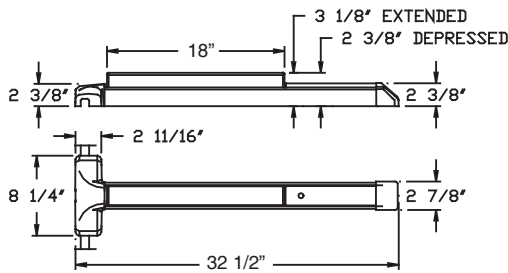
## Technical Information

- Door Types - Wood, Hollow Metal, Fiberglass or Aluminum
- Minimum Stile - Advantex 10 Series: 4-5/8" with surface strike or 4-1/8" with optional semi-mortise strike
- Minimum Stile - Advantex 40, 50 Series: 2" with standard semi-mortise strike or 2-1/2" with optional surface strike

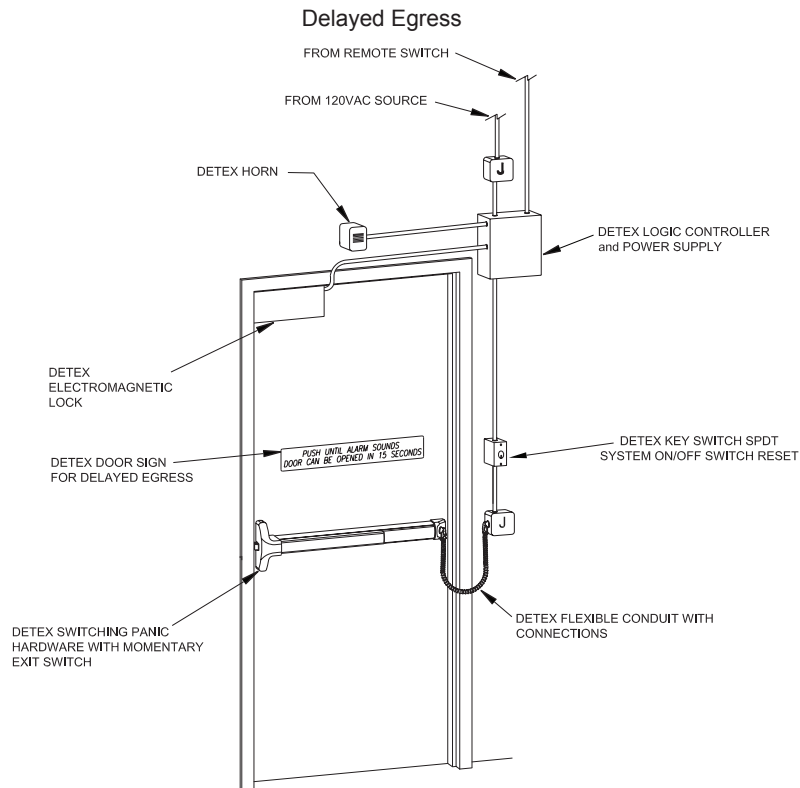
## Finishes

605 / US3	Polished Brass	612 / US10	Brushed Bronze	629 / US32	Polished Stainless Steel
606 / US4	Brushed Brass	613 / US10B	Oil Rubbed Bronze	630 / US32D	Brushed Stainless Steel
611 / US9	Polished Bronze				

## Dimensions - (10 Series Shown)



## Riser Diagram



## Listings and Approvals Advantex

- UL Listed Panic Hardware
- UL Listed Fire Exit Hardware for 3 hours, maximum
- UL Listed 4'x10' single doors and pairs of 4'x8' with F90KR key removable Mullion
- Meets ADA requirements
- UBC 97, Standard 7-2 and UL10C for positive pressure
- ANSI/BHMA certified A156.3
- Meets NFPA 80 & 101 for Life Safety
- Miami-Dade County, Florida NOA 10-0303.02 EXP. 04/07/15 } 10/40 Series Only
- State of Florida Approval FL9052
- California State Fire Marshall - 4140-0127:105 and 3725-0127:108

## Detex Limited Warranty

Advantex - 10 Year Mechanical / 3 Year Electrical Manufacturers Limited Warranty

*Where Trust is Built™*  
**DETEX®**  
*Integrated Door Security Systems*

Detex Corporation  
 302 Detex Drive  
 New Braunfels, Texas 78130-3045 USA  
 PH. (830) 629-2900  
 (800) 729-3839  
 FAX (830) 620-6711  
 (800) 653-3839  
 http://www.detex.com  
 USA Sales:  
 marketing@detex.com  
 International Sales:  
 export@detex.com

**EasyKit®**

## WDEx10EX

### Weatherized Delayed Egress With Electromagnetic Lock

The WDE EasyKits provide a secure 2-point locking system with 15-second delay and 100dB alarm when someone attempts to exit. The WDE EasyKit is perfect for garden center gates, amusement parks, sports arenas and any location exposed to weather or moisture where delayed exit is required. Although ideal in helping prevent theft, in applications such as outdoor childcare and assisted living homes, WDE EasyKit can also be used to help protect those trying to exit.



Logic Controller/  
Power Supply



1500 lb. Weatherized  
Electromagnetic Lock

Advantex Weatherized  
Rim Exit Device



Exterior  
Horn



Key  
Switch  
with  
Exterior Cover

Also Includes:  
NEMA 4X Enclosure,  
Mortise Cylinder,  
Code compliant  
Outdoor Sign  
and  
Surface Armored  
Cable Loop  
(not shown)  
Riser Illustration  
Wiring Diagram

Shown with 10 Series Rim Exit Device - Available with 10/40 Rim (For Mortise and Vertical Rod Applications contact factory)

#### Benefits

- Best-in-class components provide for fast, easy installation
- All hardware items provided with one easy-to-order, easy-to-specify part number
- Immersion-proof switching and corrosion resistant components provide years of trouble-free service
- Controls foot traffic, deters unauthorized exits, reduces employee and customer theft while providing a life safety, code compliant application

#### Features

- Configured Weatherized Delayed Egress EasyKit includes all hardware, instructions, riser illustration and point-to-point wiring diagram
- Factory-programmed, pre-wired, delayed egress controller/power supply
- NEMA 4X enclosure protects controller/power supply from moisture and corrosive elements
- 10 ft. flex conduit loop
- Advantex Weatherized panic device has stainless steel dead locking Pullman-type latch bolt and weatherized switching
- Form C, momentary key switch with green and red LEDs, arms, disarms and resets system
- Outdoor protective key switch cover
- Outdoor horn has various field-adjustable tone and decibel settings. Strobe also available.
- Outdoor, code-compliant delayed egress signage
- All hardware is non-handed
- Fire Alarm override connected at controller/power supply
- Remote bypass and signaling options available
- Heavy-duty angled end cap deflects damage away from panic device
- Available in various configurations, for single and paired openings

#### Mechanical Options

- F - 3-Hour Fire Rated
- H - Hurricane Rated
- CD - Cylinder Dogging
- HD - Hex Dogging
- LD - Less Dogging (Std.)
- 36 - Fits 36" Door Width (Std.)
- 48 - Fits 48" Door Width
- 99 - Surface Strike (Std.)
- 98 - Semi Mortise Strike

#### Electrical Options

- 1 to 3 second code-compliant field-adjustable nuisance alarm
- 120V AC (Std.)
- Also available 277V and 240V logic controller/power supply

Where Trust is Built™  
**DETEX®**  
Integrated Door Security Systems

Accessories

- SN1 – Sex Nut Fasteners
- SSK - Torx Security Screw Kit
- Z bracket spacers for Magnetic Lock(s)
- GB - Glass Bead Kits

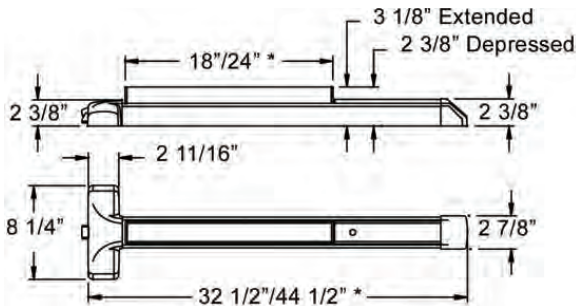
Technical Information

- Door Types - Hollow Metal, Fiberglass or Aluminum
- Stile - Advantex fits minimum 4-5/8" with 99 strike
- Gate Types - Gate plate must be at least 32" wide
- 1/4" maximum for vertical gap between gate and strike post
- Gate plate must accommodate panic device, see dimensions

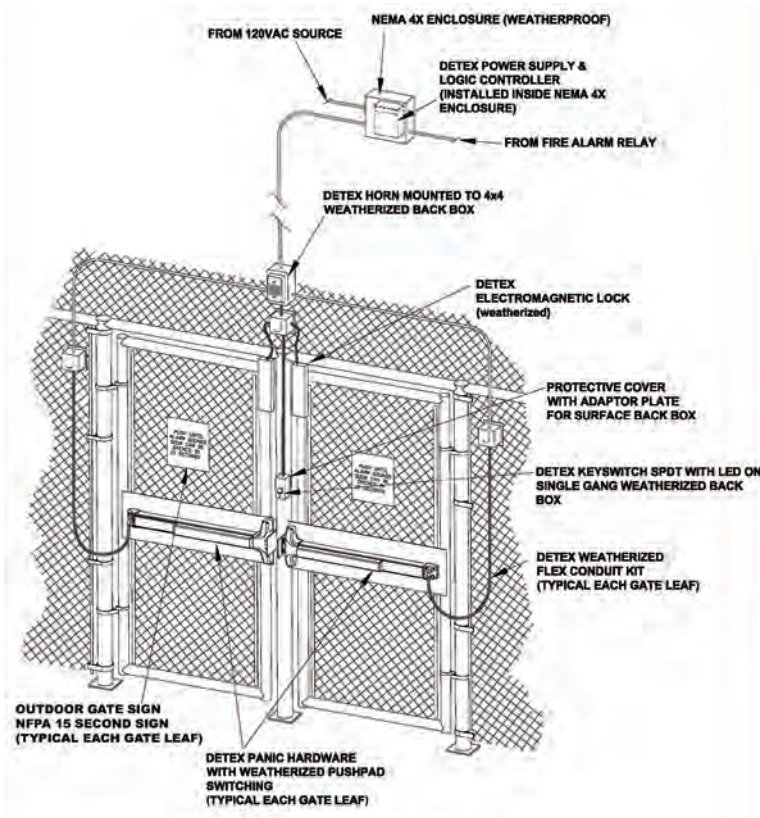
Finishes

605 / US3	Polished Brass	612 / US10	Brushed Bronze	629 / US32	Polished Stainless Steel
606 / US4	Brushed Brass	613 / US10B	Oil Rubbed Bronze	630 / US32D	Brushed Stainless Steel
611 / US9	Polished Bronze				

Dimensions



Riser Diagram



Listings and Approvals Advantex

- UL Listed Panic Hardware
- UL Listed Fire Exit Hardware for 3 hours, maximum
- 4'x10' single doors and pairs of 4'x8' with F90KR key removable Mullion



Meets ADA requirements

MIL-STD 810F, Method 506.4 (Driving Rain Test)  
MIL-STD 810F, Method 509.4 (Salt fog Test)



UBC 97, Standard 7-2 and UL10C for positive pressure



ANSI/BHMA certified



Meets NFPA 80 & 101 for Life Safety



Miami-Dade County, Florida } 10/40 Series  
NOA 10-0303.02 EXP 04/07/15 } Only  
State of Florida Approval FL9052



California State Fire Marshall -  
4140-0127-105 & 3725-0127-108

Detex Limited Warranty

Advantex - 10 Year Mechanical /  
3 Year Electrical Manufacturers  
Limited Warranty



Detex Corporation  
302 Detex Drive  
New Braunfels, Texas 78130-3045 USA  
PH. (830) 629-2900  
(800) 729-3839  
FAX (830) 620-6711  
(800) 653-3839  
<http://www.detex.com>  
USA Sales:  
[marketing@detex.com](mailto:marketing@detex.com)  
International Sales:  
[export@detex.com](mailto:export@detex.com)

# EasyKit®

## WDEx10EEX

### Weatherized Delayed Egress

The WDE EasyKits provide a secure system with 15-second delay and 100dB alarm when someone attempts to exit. The WDE EasyKit is perfect for garden center gates amusement parks, sports arenas and any location exposed to weather or moisture where delayed exit is required. Although ideal in helping prevent theft, in applications such as outdoor childcare and assisted living homes, WDE EasyKit can also be used to help protect those trying to exit.



Shown with 10 Series Rim Exit Device - Available with 10/40 Rim (For Mortise and Vertical Rod Applications contact factory)

### Benefits

- Best-in-class components provide for fast, easy installation
- All hardware items provided with one easy-to-order, easy-to-specify part number
- Immersion-proof switching and corrosion resistant components provide years of trouble-free service
- Controls foot traffic, deters unauthorized exits, reduces employee and customer theft while providing a life safety, code compliant application

### Features

- Configured Weatherized Delayed Egress EasyKit includes all hardware, instructions, riser illustration and point-to-point wiring diagram
- Factory-programmed, pre-wired, delayed egress controller/power supply
- NEMA 4X enclosure protects controller/power supply from moisture and corrosive elements
- Advantex Weatherized panic device has stainless steel deadlocking Pullman-type latch bolt
- 10 ft. flex conduit loop
- Form C, momentary key switch with green and red LEDs, arms, disarms and resets system
- Outdoor protective key switch cover
- Outdoor horn has various field-adjustable tone and decibel settings. Strobe also available.
- Available in various configurations, for single and paired openings
- Outdoor, code-compliant delayed egress signage
- All hardware is non-handed
- Fire Alarm override connected at controller/power supply
- Remote bypass and signaling options available
- Heavy-duty angled end cap deflects damage away from panic device

### Mechanical Options

- F - 3-Hour Fire Rated
- H - Hurricane Rated
- CD - Cylinder Dogging
- HD - Hex Dogging
- LD - Less Dogging (Std.)
- 36 - Fits 36" Door Width (Std.)
- 48 - Fits 48" Door Width
- 99 - Surface Strike (Std.)
- 98 - Semi Mortise Strike

### Electrical Options

- 1 to 3 second code-compliant field-adjustable nuisance alarm
- 120V AC (Std.)
- Also available 277V and 240V logic controller/power supply



## Accessories

- SN1 – Sex Nut Fasteners
- SSK - Torx Security Screw Kit
- GB - Glass Bead Kits

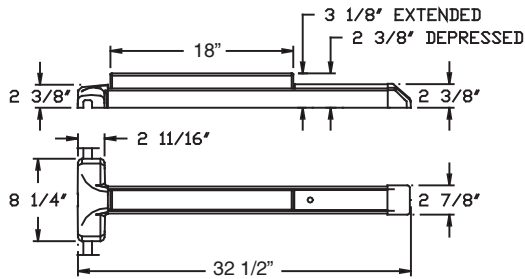
## Technical Information

- Door Types - Hollow Metal, Fiberglass or Aluminum
- Gate Types - Gate plate must be at least 32" wide
- Stile - Advantex fits minimum 4-5/8" with 99 strike
- 1/4" maximum for vertical gap between gate and strike post
- Gate plate must accommodate panic device, see dimensions

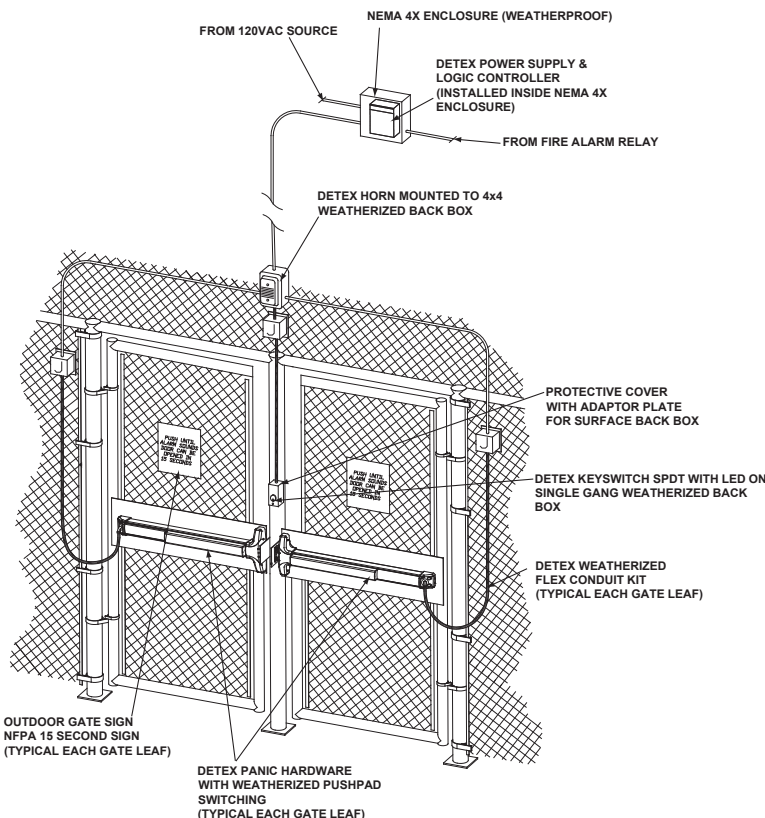
## Finishes

605 / US3	Polished Brass	612 / US10	Brushed Bronze	629 / US32	Polished Stainless Steel
606 / US4	Brushed Brass	613 / US10B	Oil Rubbed Bronze	630 / US32D	Brushed Stainless Steel
611 / US9	Polished Bronze				

## Dimensions - (10 Series Shown)



## Riser Diagram



## Listings and Approvals Advantex

- UL Listed Panic Hardware
- UL Listed Fire Exit Hardware for 3 hours, maximum
- 4'x10' single doors and pairs of 4'x8' with F90KR key removable Mullion
- Meets ADA requirements
- MIL-STD 810F, Method 506.4 (Driving Rain Test)
- MIL-STD 810F, Method 509.4 (Salt fog Test)
- UBC 97, Standard 7-2 and UL10C for positive pressure
- ANSI/BHMA certified
- Meets NFPA 80 & 101 for Life Safety
- Miami-Dade County, Florida } 10/40 Series  
NOA 10-0303.02 EXP. 04/07/15 } Only  
State of Florida Approval FL9052
- California State Fire Marshall - 4140-0127:105 & 3725-0127:108

## Detex Limited Warranty

Advantex - 10 Year Mechanical /  
3 Year Electrical Manufacturers  
Limited Warranty

*Where Trust is Built™*

# DETEX®

**Integrated Door Security Systems**

Detex Corporation  
302 Detex Drive  
New Braunfels, Texas 78130-3045 USA  
PH. (830) 629-2900  
(800) 729-3839  
FAX (830) 620-6711  
(800) 653-3839  
<http://www.detex.com>  
USA Sales:  
[marketing@detex.com](mailto:marketing@detex.com)  
International Sales:  
[export@detex.com](mailto:export@detex.com)



**EDx10 EDx20/21 EDx30 EDx40 EDx50/51**  
**Electric Dogging**

---

The Electric Dogging EasyKits are designed for entrance and exit doors that require panic or fire exit hardware. When energized, and after the pushpad is depressed, the pushpad and the latch bolt remain retracted, providing push-pull operation. Relocking all devices is accomplished by using a single switch or through a fire alarm input. All components required for this installation are included in one easy-to-order kit.



Power Supply  
(90-800 Shown)



Electric Dogging Exit Device  
(10 Series Shown)

**Also Included:**

- Outside Trim (Call Factory for Options)
- Wiring Diagram

(Shown on 10 Series Rim Exit Device - Available with 10/40 Rim, 30 Mortise, 20/21/50/51 Surface Vertical Rod, and 60/61/62/63/70/71/80/81/82/83 Concealed Vertical Rod Devices)

**Benefits**

---

- Best-in-class components provide for fast, easy installation
- All components included in one, easy-to-specify part number
- Great for locking down large campuses, using a single switch

**Features**

---

- Configured Electric Dogging EasyKit includes all hardware, instructions, riser illustration and point-to-point wiring diagram
- Advantex panic device has stainless steel deadlocking Pullman-type latch bolt
- Heavy-duty angled end cap deflects damage away from panic device
- Exit hardware (10/40) is non-handed or reversible
- Available in various configurations, for single or paired openings

**Mechanical Options**

---

- F - 3-Hour Fire Rated exit device
- 36 - Fits 36" door width (Std.)
- 99 - Surface strike (Std.)
- 48 - Fits 48" door width
- 98 - Semi mortise strike

**Accessories**

---

- SN1 - Sex Nut Fasteners
- Various configurable cylinder trims, pulls and levers (Call factory for specific details)
- GB# - Glass Bead Kits

**Electrical Options**

---

- Request to Exit (EX)
- 90-800 Power Supply - 24VDC filtered, regulated with fire loop connection
- PP-5152-2 24VAC Transformer



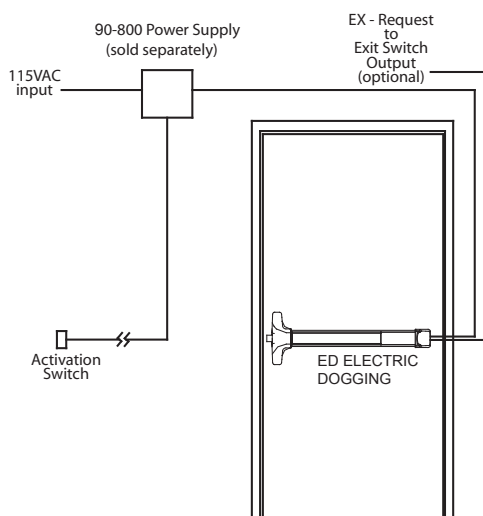
## Technical Information

- Door Types - Wood, Hollow Metal, Fiberglass or Aluminum
- Door Thickness - Fits standard 1-3/4" - 2-1/4" (for other door thicknesses, contact factory)
- Door Stile - Fits Minimum 4-5/8" with 99 strike (Std.)
- Door Stile - Fits Minimum 4-1/8" with 98 strike
- Machine and Sheet Metal Screws (Std.)
- Rail is heavy ribbed aluminum extrusion

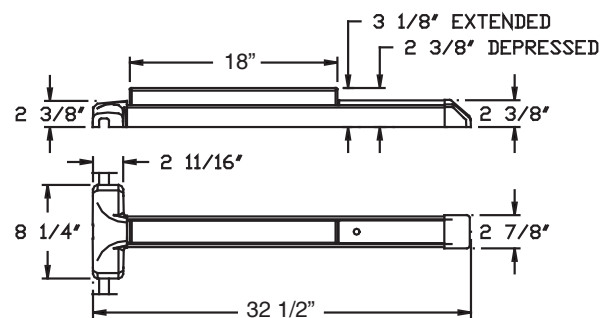
## Finishes (Advantex)

- 605 / US3 - Polished Brass
- 606 / US4 - Brushed Brass
- 611 / US9 - Polished Bronze
- 612 / US10 - Brushed Bronze
- 613 / US10B - Oil Rubbed Bronze
- 629 / US32 - Polished Stainless Steel
- 630 / US32D - Brushed Stainless Steel

## Riser Diagram



## Dimensions



10 Series Dimensions Shown

## Detex Limited Warranty

Advantex - 10 Year Mechanical /  
3 Year Electrical Manufacturers  
Limited Warranty

## Listings and Approvals

See individual Series (i.e. 10 Series) information for listings and approvals

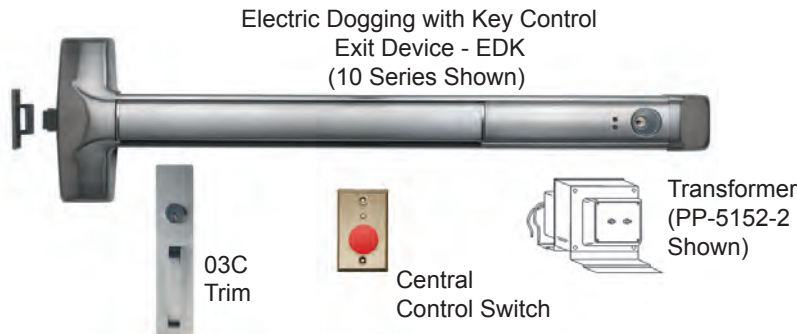
*Where Trust is Built™*  
**DETEX®**  
*Integrated Door Security Systems*

Detex Corporation  
302 Detex Drive  
New Braunfels, Texas 78130-3045 USA  
PH. (830) 629-2900  
(800) 729-3839  
FAX (830) 620-6711  
(800) 653-3839  
<http://www.detex.com>  
USA Sales:  
[marketing@detex.com](mailto:marketing@detex.com)  
International Sales:  
[export@detex.com](mailto:export@detex.com)

# EasyKit®

## EDKx10 EDKx20/21 EDKx30 EDKx40 EDKx50/51 Electric Dogging for Lockdown

The Electric Dogging EasyKits are designed for any door in any type of building where imminent danger to occupants requires immediate and simultaneous locking of multiple doors within the facility. When energized, and after the pushpad is depressed, the pushpad and the latch bolt remain retracted, providing push-pull operation. On-board key switch provides complete control of each device to key-holder. Immediate relocking of all devices is accomplished by using an external single switch or through a fire alarm input. LEDs offer visual indications of system status. All components required for this installation are included in one easy-to-order kit. For facilities with multiple doors, additional kits, without the central control switch, can be ordered.



### Also Included:

Outside Trim (Call  
Factory for Options)

Wiring Diagram

(Shown on 10 Series Rim Exit Device - Available with 10/40 Rim, 30 Mortise and 20/21/50/51 Surface Vertical Rod Devices)

### Benefits

- Best-in-class components provide for fast, easy installation
- Red and Green LED's provide line-of-sight status indication
- Great for locking down large campuses, using a single switch
- On board key switch provides easy on-off switching for individual door control
- All components included in one, easy-to-specify part number

### Features

- Configured Electric Dogging EasyKit includes all hardware, instructions, riser illustration and point-to-point wiring diagram
- Advantex panic device has stainless steel deadlocking Pullman- type latch bolt
- Heavy-duty angled end cap deflects damage away from panic device
- Exit hardware (10/40) is non-handed or reversible
- Available in various configurations, for single or paired openings

### Mechanical Options

- F - 3-Hour Fire Rated exit device
- 36 - Fits 36" door width (Std.)
- 99 - Surface strike (Std.)
- 48 - Fits 48" door width
- 98 - Semi mortise strike

### Accessories

- SN1 - Sex Nut Fasteners
- Various configurable cylinder trims, pulls and levers (Call factory for specific details)
- GB# - Glass Bead Kits

### Electrical Options

- Request to Exit (EX)
- 90-800 Power Supply - 24VDC filtered, regulated with fire loop connection
- PP-5152-2 24VAC Transformer
- ED without key control can be ordered for doors that do not require individual control

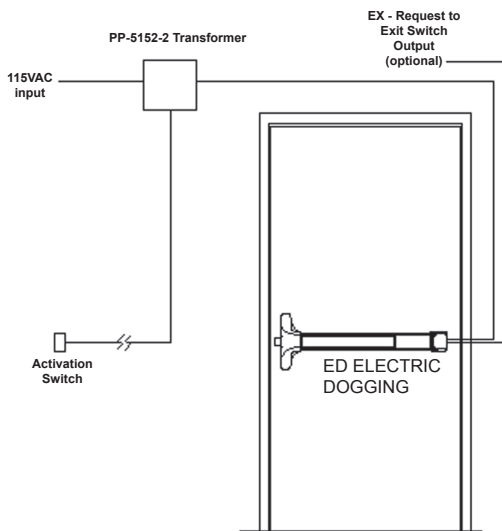
## Technical Information

- Door Types - Wood, Hollow Metal, Fiberglass or Aluminum
- Door Stile - Fits Minimum 4-5/8" with 99 strike (Std.)
- Machine and Sheet Metal Screws (Std.)
- Door Thickness - Fits standard 1-3/4" - 2-1/4" (for other door thicknesses, contact factory)
- Door Stile - Fits Minimum 4-1/8" with 98 strike
- Rail is heavy ribbed aluminum extrusion

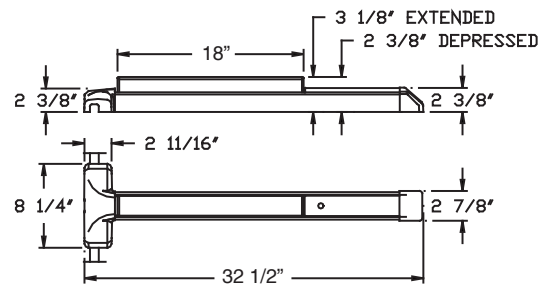
## Finishes (Advantex)

- 605 / US3 - Polished Brass
- 612 / US10 - Brushed Bronze
- 629 / US32 - Polished Stainless Steel
- 606 / US4 - Brushed Brass
- 613 / US10B - Oil Rubbed Bronze
- 630 / US32D - Brushed Stainless Steel
- 611 / US9 - Polished Bronze

## Riser Diagram



## Dimensions



10 Series Dimensions Shown

## Detex Limited Warranty

Advantex - 10 Year Mechanical /  
3 Year Electrical Manufacturers  
Limited Warranty

## Listings and Approvals (on 10 and 40 Series Devices)

- UL Listed Panic Hardware
- UL Listed Fire Exit Hardware for 3 hours, maximum
- 4'x10' single doors and pairs of 4'x8' with F90KR key removable Mullion
- Meets ADA requirements
- UBC 97, Standard 7-2 and UL10C for positive pressure
- ANSI/BHMA certified A156.3
- Meets NFPA 80 & 101 for Life Safety
- Miami-Dade County, Florida NOA 10-0303.02 EXP. 04/07/15
- State of Florida Approval FL9052
- California State Fire Marshall - 4140-0127:105 and 3725-0127:108

## Listings and Approvals (on 20/21/50/51 Series Devices)

- UL Listed Panic Hardware
- UL Listed Fire Exit Hardware for 3 hours, maximum
- 4'x10' single doors and 8'x10' pairs of doors
- Meets ADA requirements
- UBC 97, Standard 7-2 and UL10C for positive pressure
- ANSI/BHMA certified A156.3
- Meets NFPA 80 & 101 for Life Safety
- California State Fire Marshall - 4140-0127:105 & 3725-1027:108

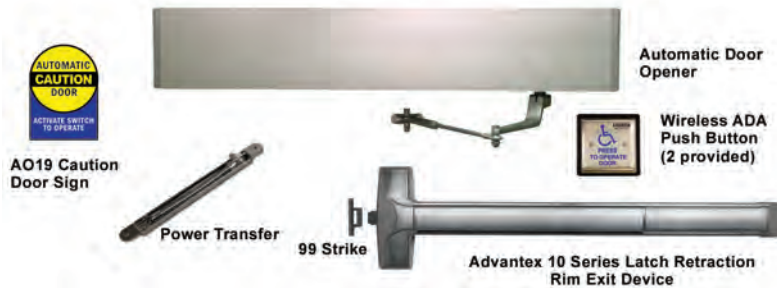
*Where Trust is Built™*  
**DETEX®**  
*Integrated Door Security Systems*

Detex Corporation  
302 Detex Drive  
New Braunfels, Texas 78130-3045 USA  
PH. (830) 629-2900  
(800) 729-3839  
FAX (830) 620-6711  
(800) 653-3839  
<http://www.detex.com>  
USA Sales:  
[marketing@detex.com](mailto:marketing@detex.com)  
International Sales:  
[export@detex.com](mailto:export@detex.com)

# EasyKit®

## AODx10 AODx20/21 AODx30 AODx40 AODx50/51 Automatic Operated Doors

The AOD EasyKits provide a pre-wired Automatic Operated Door system. Ideal ADA access at healthcare facilities, assisted living homes, main public entrances, places of worship, convention centers, sports arenas and any location requiring low energy, automatic operated doors with an exit device. The AOD EasyKit includes the Advantex Latch Retraction exit device, and the AO19 low-energy door operator, with a built-in, pre-wired power supply.



Shown with 10 Series Rim Exit Device - Available with 10/40 Rim, 30 Mortise and 20/21/50/51 Surface Vertical Rod Devices

### Benefits

- Automatic Operator is pre-wired with the latch retraction power supply, making installation fast and easy
- Best-in-class components provide years of trouble-free operation
- The reliable AO19 offers all the features you expect in an automatic door operator at no extra cost
- Turnkey, complete with everything needed, without a complicated installation job
- All hardware items, plus riser and wiring diagrams provided with one easy-to-order, easy-to-specify part number

### Features

- AO19 includes adjustable time delay, push-and-go reverse on obstruction and sequencing for vestibule doors
- Stainless steel deadlocking Pullman type latch bolt
- Heavy-duty angled end cap deflects damage away from panic device
- Available in various configurations, for single and paired openings
- Easily add various access control options with or without an anti-tailgating option

### Mechanical Options

- AO19 available Left Hand (LH), Right Hand (RH), Push or Pull, Aluminum (AL) or Dark Bronze (BZ)
- EasyKits available with various rim, surface vertical rod, and mortise exit devices to fit various single, pairs and double egress applications
- 36 - Fits 36" Door Width (Std.)
- 48 - Fits 48" Door Width
- F - 3-Hour Fire Rated
- 99 - Surface Strike (Std.)
- 98 - Semi Mortise Strike

### Electrical Options

- 120 Volt in / 24 Volt out (Std.)
- Also available 277V and EE - Electric Delayed Egress

### Accessories

- SN1 – Sex Nut Fasteners
- GB# - Glass Bead Kits

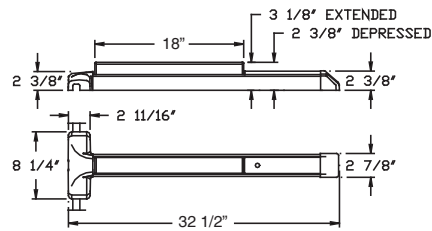
**Technical Information**

- Door Types - Wood, Hollow Metal, Fiberglass or Aluminum
- Minimum Stile - Advantex 10, 20 Series: 4-5/8" with surface strike or 4-1/8" with optional semi-mortise strike
- Minimum Stile - Advantex 40, 50 Series: 2" with standard semi-mortise strike or 2-1/2" with optional surface strike

**Finishes (Advantex Products Only)**

605 / US3	Polished Brass	612 / US10	Brushed Bronze	629 / US32	Polished Stainless Steel
606 / US4	Brushed Brass	613 / US10B	Oil Rubbed Bronze	630 / US32D	Brushed Stainless Steel
611 / US9	Polished Bronze				

**Dimensions (10 Series Shown)**



**Listings and Approvals AO19**



Certified to ANSI/UL 325-2006  
Tested - ANSI 156.10 and 156.19



Meets ADA requirements



Certified to CAN/CSA 247-92

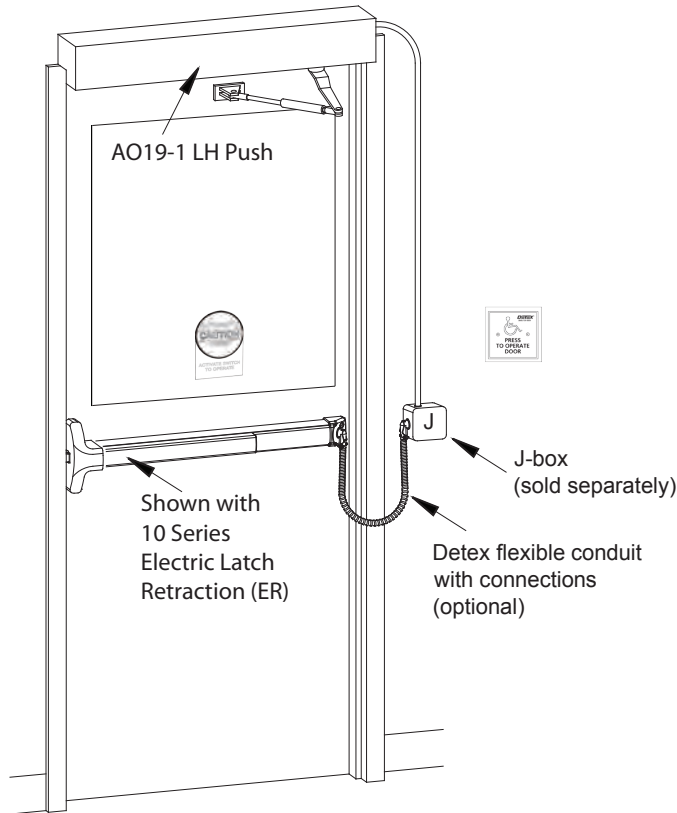


3-Hour Fire Listed

**Detex Limited Warranty**

Advantex - 10 Year Mechanical / 3 Year Electrical Manufacturers Limited Warranty

**Riser Diagram**



Detex Corporation  
302 Detex Drive  
New Braunfels, Texas 78130-3045 USA  
PH. (830) 629-2900  
(800) 729-3839  
FAX (830) 620-6711  
(800) 653-3839  
<http://www.detex.com>  
USA Sales:  
[marketing@detex.com](mailto:marketing@detex.com)  
International Sales:  
[export@detex.com](mailto:export@detex.com)

# *Safety, Security and Risk Management*



**PROXIPEN**



# ProxiPen



## Compact Reader for RFID Tags

In today's rapidly-changing information society, large corporations and small companies alike increasingly require modern data collection and auto-ID systems. To meet these demands, GCS has developed an innovative data acquisition unit, the "ProxiPen." The ProxiPen reads radio frequency identification (RFID) tags and other transponders automatically, and can fully satisfy the data collection needs of both commercial and industrial applications.



### Benefits

- ProxiPen can read RFID tags even if they are wet, frosty, dirty, greasy, or painted over
- RFID tags can be concealed behind wallpaper, wallboard, plaster, paneling, mirrors or any other nonmetallic surface - a real plus in applications where aesthetics or vandalism are considerations
- ProxiPen "autosenses" and reads RFID tags whenever they come into its reading range
- Low power consumption - requires one "AA" commercial alkaline, lithium or rechargeable battery that can be replaced by user without any special tools
- High memory capacity (4,063 readings) - can be used for long periods in the field without the need for frequent downloading
- Easy to use; no external controls

### Features

- Compact, lightweight, simple to operate
- Tough waterproof polycarbonate housing
- Resists heat, shock and hydrocarbons
- Powered by one "AA" commercial alkaline, lithium or rechargeable battery
- Reads RFID proximity tags
- Provides visible and audible indications to confirm information has been read

### Applications

- Guard Tour
- Maintenance
- Recording Service Activities
- Cleaning
- Attendance

## Technical Information

---

- Dimensions: 6.5"L x 1.26"W x 0.98"H (L165 x W32 x H25mm)
- Weight: 4.94 oz. (142g)
- Operating Temperature Range: -4°F to +158°F (-20°C to +70°C)
- Internal Protection Grade: IP67
- Mechanical Shock Resistance: Free fall from 5 ft. (1.5m) on concrete
- TAG Frequency: 125 kHz
- Reading Distance: 0.12" to 0.71" (3-18mm) depending on size of transponder and condition of battery. Reads through nonmetallic materials.
- Approved Tags: World TAG Unique dia. 1.18" (30mm); World TAG NOVA brick 0.2" (3mm); World TAG NOVA dia. 0.79"/1.18"/1.97" (20/30/50mm); Protag
- Memory Capacity: 4,063 readings
- Time Resolution: 1 minute
- Data Transfer: By RFID; 2400 to 57600 Baud
- Download Time: Approx. 1 minute (full memory)
- Housing: Polycarbonate
- Potting Material: Silicon or equivalent
- Power Supply: One "AA" cell, 1.5v
- Approved Batteries: Duracell® Ultra; Energizer® HI Energy lithium; Duracell Supreme AA 2650 mAh Rechargeable
- Time Permitted for Battery Change: 3 minutes maximum
- Battery Life in Standby Mode: Approx. 1 year
- Number of Readings with one Approved Alkaline Battery: Approx. 50,000
- EMC: EN 55022, EN 61000 4-3, EN 61000 4-2
- Accessories: Leather holster with belt clip

## Detex Limited Warranty

---

3 Year Limited Manufacturers Warranty



Detex Corporation  
302 Detex Drive  
New Braunfels, Texas 78130-3045 USA  
PH. (830) 629-2900  
(800) 729-3839  
FAX (830) 620-6711  
(800) 653-3839  
<http://www.detex.com>  
USA Sales:  
[marketing@detex.com](mailto:marketing@detex.com)  
International Sales:  
[export@detex.com](mailto:export@detex.com)

# ProxiPen Kit



## Proximity-Based Guard Tour Verification System

The GCS® ProxiPen Kit from Detex is the total solution for your guard tour verification requirements and other data collection tasks. It includes everything you need to quickly and easily set up a complete guard tour system that features the innovative ProxiPen RFID tag reader and user-friendly TopGuard Patrol communication and reporting software.



### Features and Benefits

- ProxiPen's data points are RFID tags, which ProxiPen senses and reads automatically whenever they come into its reading range
- ProxiPen can read a tag even if it is wet, frosty, dirty, greasy, or painted over.
- ProxiPen's RFID tags may be concealed behind wallpaper, sheetrock, plaster, paneling, mirrors or any other nonmetallic surface; a real plus in applications where aesthetics or vandalism are considerations.
- ProxiPen is compact, lightweight and easy to use, with no external controls.
- Correct data readings are confirmed by visible and audible signals.
- ProxiPen's electronics are sealed in a tough polycarbonate housing, making the reader completely waterproof and shock-resistant.
- ProxiPen delivers 50,000 data readings from one "AA" battery, which is user-changeable without tools (or loss of data, which is preserved in non-volatile memory).
- ProxiPen's anti-tampering features discourage unauthorized battery removal.
- TopGuard Patrol software makes it easy to set up tours, download and evaluate collected data and prepare reports, which may be saved and/or e-mailed in HTML or PDF format.
- TopGuard Patrol is easily customized to accommodate any data collection application, including maintenance, service, cleaning, attendance and asset tracking. Control points, incidents, personnel, equipment, inventory or activities can be assigned to an RFID tag.
- An optional PLUS version of TopGuard Patrol provides extended capacity, more reporting options and other advanced, high-utility features.
- The TopGuard Patrol software can be used with other GCS data acquisition hardware—including the popular Escorte system—in combination with the ProxiPen if so desired.



## Kit Contents

---

<u>Qty.</u>	<u>Part No.</u>	<u>Description</u>
1	PROXIPEN-2	ProxiPen RFID Tag Reader
1	GCS-PP-DTU	Data Transfer Unit (DTU) for ProxiPen (serial or USB port)
1	GCS-PP-DTU-USB	USB Data Cable for ProxiPen DTU
1	GCS-TGP	TopGuard Patrol Software*
20	GCS-PP-TAG30-U	RFID Tag, 30mm diameter

### System Requirements

#### **Minimum System:**

- Intel® 486 processor (or compatible)
- 16 MB RAM
- 50 MB hard disk
- Screen resolution 800 x 600
- USB port (for DTU)

#### **Recommended System:**

- Intel® Pentium® Dual-Core E5700 3.0 GHz processor (or compatible)
- 2 GB RAM
- 500 GB hard disk
- Screen resolution 1024 x 768
- USB port (for DTU)

Works under Windows® 2000, XP, Vista and Windows 7.

The TopGuard Patrol software can be used on a stand-alone PC or on a workstation in a network. There is not a network version of TopGuard Patrol; however, multiple workstations having TopGuard Patrol PLUS installed can be configured to share downloaded data and produce reports independently.

**NOTE:** The optional TopGuard Patrol PLUS software also requires that the PC have an additional USB port, as it includes a copy protection device that must be attached to a USB port in order for the software to operate.

### Options & Accessories

- ProxiPen Holster (GCS-PP-HOL)
- Belt Clips for ProxiPen Holster (HOLST-PP-CLIP)
- Serial Data Cable for ProxiPen DTU (GCS-PP-DTU-CAB)\*\*\*
- Power Supply for ProxiPen DTU, 120/240 VAC, with USA/UK/EUR adapters (GCS-PP-DTU-PS)\*\*\*
- ProxiPen Incident Book, with 20 RFID tags (GCS-PP-INCBK)
- RFID Tag, 50mm diameter (GCS-PP-TAG50-N)
- RFID Tag, 20mm diameter (GCS-PP-TAG20-N)
- Wristband RFID Tag (GCS-PP-WB-U)
- Proximity RFID Card with Magstripe (GCS-PP-CRD-U)
- Keyfob RFID Tag (GCS-PP-KF-U)
- TopGuard Patrol PLUS Software\*\* (GCS-TGPLUS)
- Software support contacts

\*\*\*Only required if Data Transfer Unit (DTU) cannot be connected to a USB port

### Detex Limited Warranty

1 Year Limited Manufacturers Warranty (3 years on ProxiPen)

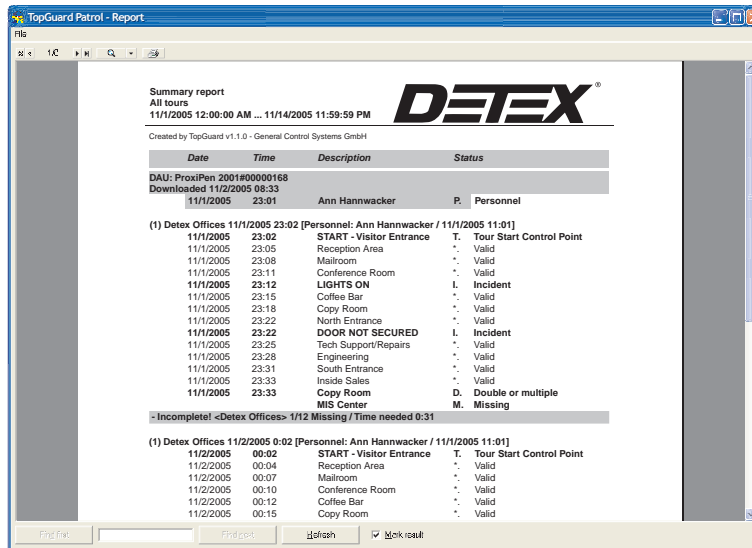


Detex Corporation  
302 Detex Drive  
New Braunfels, Texas 78130-3045 USA  
PH. (830) 629-2900  
(800) 729-3839  
FAX (830) 620-6711  
(800) 653-3839  
<http://www.detex.com>  
USA Sales:  
[marketing@detex.com](mailto:marketing@detex.com)  
International Sales:  
[export@detex.com](mailto:export@detex.com)

\* TopGuard Patrol has been previously released as "WinDau Standard Edition" and "TopGuard Primo."

\*\* TopGuard Patrol PLUS has been previously released as "WinDau Enterprise Edition."

TopGuard Patrol® is a versatile guard tour software application from GCS. It is a communication tool for all GCS data acquisition units, combined with a report generator. It includes a Microsoft® Access database and the most modern programming tools, so it's powerful, yet easy to use. And TopGuard Patrol\* can be quickly configured to display in a variety of languages.



Summary report  
All tours  
11/1/2005 12:00:00 AM ... 11/14/2005 11:59:59 PM

Created by TopGuard v1.1.0 - General Control Systems GmbH

Date	Time	Description	Status
DAU: ProxiPen 2001#0000168 Downloaded 11/2/2005 08:33			
11/1/2005	23:01	Ann Hannwacker	P. Personnel
(1) Detex Offices 11/1/2005 23:02 [Personnel: Ann Hannwacker / 11/1/2005 11:01]			
11/1/2005	23:02	START - Visitor Entrance	T. Tour Start Control Point
11/1/2005	23:05	Reception Area	Valid
11/1/2005	23:08	Mailroom	Valid
11/1/2005	23:11	Conference Room	Valid
11/1/2005	23:12	LIGHTS ON	I. Incident
11/1/2005	23:15	Coffee Bar	Valid
11/1/2005	23:18	Copy Room	Valid
11/1/2005	23:22	North Entrance	Valid
11/1/2005	23:22	DOOR NOT SECURED	I. Incident
11/1/2005	23:25	Tech Support/Repairs	Valid
11/1/2005	23:28	Engineering	Valid
11/1/2005	23:31	South Entrance	Valid
11/1/2005	23:33	Inside Sales	Valid
11/1/2005	23:33	Copy Room	D. Double or multiple
		MIS Center	M. Missing
- Incomplete! -Detex Offices- 1/12 Missing / Time needed 0:31			
(1) Detex Offices 11/2/2005 0:02 [Personnel: Ann Hannwacker / 11/1/2005 11:01]			
11/2/2005	00:02	START - Visitor Entrance	T. Tour Start Control Point
11/2/2005	00:04	Reception Area	Valid
11/2/2005	00:07	Mailroom	Valid
11/2/2005	00:10	Conference Room	Valid
11/2/2005	00:12	Coffee Bar	Valid
11/2/2005	00:15	Copy Room	Valid

### Benefits

- TopGuard Patrol software makes it easy to set up tours, download and evaluate collected data and prepare reports, which may be saved and/or e-mailed in HTML or PDF format
- PLUS Version provides extended capacity, more reporting options and other advanced, high-utility features
- With fully user-editable text fields, TopGuard Patrol can be customized to accommodate any data collection application, including maintenance, service, cleaning, attendance or asset tracking
- Can be used on a stand-alone PC or on a workstation in a network
- Password requested on startup prevents unauthorized access to master files and configuration of data acquisition units.
- Data is also protected by a CRC checksum to prevent manipulation

### Features

- Uses Microsoft® Access database
- PP-Modem utility allows modem transfer of data from remote sites
- Built-in utility communicates with GCS data acquisition and transfer units - checks battery status, sets date/time, defines dialing parameters for modem transfer
- TopGuard Patrol - Basic Version: Up to 1,750 data media (magnetic data strips, RFID tags or optical bar codes can be programmed as incidents, personnel or control points in up to 16 rounds. Includes one comprehensive evaluation report format.
- TopGuard Patrol PLUS - Enhanced Version: Up to 7,500 data media (magnetic data strips, RFID tags or optical bar codes can be programmed as incidents, personnel or control points in up to 250 rounds. Includes six different report formats with four report options.
- TopGuard Patrol PLUS - Ability to create maps of tours using imported JPG or BMP images

\*TopGuard Patrol has been previously released as "WinDAU Standard Edition" and "TopGuard Primo." TopGuard Patrol PLUS has been previously released as "WinDAU Enterprise Edition."

## Reports (TopGuard Patrol PLUS only)

---

- Six (6) Report Formats:
  - Summary Report
  - Personnel Report
  - Control Point Report
  - Incident Report
  - Break Report
  - Database History Report
- Four (4) Report Options (Summary and Personnel Report only)
  - Print missing control points
  - Print Exceptions
  - Print missing control points
  - Summary only

## System Requirements

---

### Minimum System:

- Intel® 486 processor (or compatible)
- 16 MB RAM
- 50 MB hard disk
- Screen resolution 800 x 600
- USB port (for DTU)

### Recommended System:

- Intel® Pentium® Dual-Core E5700 3.0 GHz processor (or compatible)
- 2 GB RAM
- 500 GB hard disk
- Screen resolution 1024 x 768
- USB port (for DTU)

Works under Windows® 2000, XP, Vista and Windows 7

**NOTE:** In addition, TopGuard Patrol PLUS includes a copy protection device that must be attached to a USB data port on the PC in order for the software to operate.

TopGuard Patrol can be used on a stand-alone PC or on a workstation in a network. There is not a network version of TopGuard Patrol; however, multiple workstations having TopGuard Patrol PLUS installed can be configured to share downloaded data and produce reports independently.

### Password Protection

---

Each time TopGuard Patrol is started, the password is requested. You may log in as the administrator or a user, as required. This prevents unauthorized access to master files and configuration of data acquisition units. The downloaded data is also protected by a CRC checksum to prevent manipulation.

### Programming and Downloading

---

Tours are easily defined by manually entering or downloading control points from a data acquisition unit into a control point "pool." Collected data is evaluated immediately after downloading it to the computer, and within seconds you can view the report on the screen. GCS magnetic data strips, RFID tags and bar codes can be used as control points or for predefined incidents or personnel identification. Reports may be printed, saved to a file or sent by e-mail in native TopGuard Patrol format or as an HTML or Adobe Acrobat® PDF file.

### Configuration of Data Acquisition and Transfer Units

---

The built-in utility function communicates with all GCS ProxiPen and Escorte data acquisition units and the ProxiPen data transfer unit. It can be used to check the battery status, set the date and time, define dialing parameters for data transfer by modem and other tasks.

### Modem Transfer

---

Data transfer by modem allows recorded data to be downloaded from different remote sites to a central station for creating and evaluating reports at one central site. The recorded data stays in the memory of the data acquisition unit until the local modem confirms correct receipt of all data. The PP-Modem utility, included with TopGuard Patrol, communicates with and downloads the remote devices.

### Detex Limited Warranty

---

1 Year Limited Manufacturers Warranty



Detex Corporation  
302 Detex Drive  
New Braunfels, Texas 78130-3045 USA  
PH. (830) 629-2900  
(800) 729-3839  
FAX (830) 620-6711  
(800) 653-3839  
<http://www.detex.com>  
USA Sales:  
[marketing@detex.com](mailto:marketing@detex.com)  
International Sales:  
[export@detex.com](mailto:export@detex.com)

# *Safety, Security and Risk Management*



# Guardzman Watchclock System

## GDS-12

### Mechanical Watchclock

---

The Guardsman provides unique, unbroken, mechanical supervision of your security officers on weekends and during holidays and extended plant closings, as well as on weeknights. The system is simple, reliable and inexpensive.

Unlike most other watchclocks, the Guardsman operates on a continuous roll of tape. This records your security officer's activities for up to 120 hours, if need be, without changing the tape. Good practice forbids the officer from changing the tape himself; insurance regulations prohibit it. Thus, a firm using a watchclock system of lesser recording capacity must have a supervisor return to the plant to change the recording dial every 24 hours. For this, the supervisor often must be paid at overtime rates. The Guardsman's extra capacity eliminates this problem.



**OBSOLETE AS OF  
DECEMBER 31, 2011**

### Benefits -

---

- Provides motivation for security officers to perform their assigned rounds, plus conclusive documentation that they have done so
- Easy to install using simple tools - a drill and a screwdriver
- Helps reduce the risk of fire, burglary, vandalism and industrial mishaps thus saving money on reduced insurance premiums

### Features -

---

- Uninterrupted time-keeping for up to 120 hours
- Highly accurate eight-day shock resistant movement with 11-jeweled escapement
- Requires winding only once per week
- Embossed record made directly from raised numerals on recording keys without ribbon, carbons, or inking devices
- Accommodates up to 40 stations
- Tapes are virtually impossible to counterfeit, alter or tamper with
- Tampering detector indicates if clock has been opened or closed
- Rugged construction, including a die-cast aluminum housing, heat-treated crystal, and a riveted and reinforced case of harness leather

### Operation -

---

- Install a key station at each control point that the officer is to visit during his rounds
- The recording tape has a ruled space for each of the 24 hours of every day. Since the tape is synchronized with the clock mechanism, each time a station is registered, its embossed record follows the previous registration. Any omission by the officer shows up as a prominent white space on the tape.
- To extract the daily - or weekend - record, simply push the tape cutter. You have in your hand a strip of tape which shows instantly where the officer was throughout his tour.
- As the officer visits each control point, he removes the recording key from the station, inserts it into the clock and turns the key. This registers the station number on the recording tape in the clock at the correct time of day.
- When the tape is inspected, any stations missed or rounds not performed can be readily seen.



### **Key Stations -**

---

- Key station models that meet the requirements of every setting
- Easily and quickly installed by plant or office maintenance personnel, with only a screwdriver and drill
- Each key station installed with aluminum seals
- Any attempt by security personnel to collect the keys causes damage to seals, which is readily detected by routine inspection
- Chain holding key made from continuous links of stainless steel
- Chain is anchored such that any attempt to detach it from the station will create noticeable damage

### **System Requirements-**

---

- Guardsman Watchclock - GDS-12
- Key Stations -  
Indoor/outdoor - SDC-90 (Cyclocac® thermoplastic), SDA-90 (Powder-coated cast aluminum)  
Institutional - SSKL-90 (drawn steel with cover lock) or SSK-90 (drawn steel)
- Tapes - BX-Tapes

### **All- Purpose Indoor/ Outdoor Key Stations -**

---

- Models SDC and SDA - surface mounted with simple lift-up covers for easy access
- Easily and quickly installed by plant or office maintenance personnel, with only a screwdriver and drill
- Suitable for indoor or outdoor factory and office locations
- SDC is molded from high-impact Cyclocac® (ABS) thermoplastic
- SDA is durable, powder coated cast aluminum

### **Dimensions**

---

- Case - 6-1/2" Dia. x 2-3/4" Thick
- Clock Dial - 1-7/8" Dia.
- Shoulder Strap - 55" Long

### **Detex Service**

---

Factory regional sales and service office in New Braunfels Texas - operated under our supervision by authorized distributors worldwide, assure Detex users prompt and convenient service everywhere. Emergency loan equipment is available.

### **Institutional Key Stations -**

---

- Models SSK and SSKL - surface mounted, recommended for schools and other institutions
- Housing of drawn steel
- SSKL comes with cover lock to discourage tampering

### **Replacement Stations -**

---

- When ordering key stations, be sure to state whether station should include keys and chains
- Specify key station identification number desired and key station model

### **Replacement Keys -**

---

- K2K-22 - state quantity and station identification numbers
- Key package includes - key, chain, key shackle, seals, seal holders, anchor and screws

### **Detex Limited Warranty**

---

1 Year Limited Manufacturers Warranty



Detex Corporation  
302 Detex Drive  
New Braunfels, Texas 78130-3045 USA  
PH. (830) 629-2900  
(800) 729-3839  
FAX (830) 620-6711  
(800) 653-3839  
<http://www.detex.com>  
USA Sales:  
[marketing@detex.com](mailto:marketing@detex.com)  
International Sales:  
[export@detex.com](mailto:export@detex.com)

# Newman Watchclock System

## N-24

### Mechanical Watchclock

---

The Newman was the first portable watchclock of American design to be sold in this country. Built to a high standard of quality, ruggedly constructed, completely modernized and up-to-date, it is simple in operation and provides maximum service with minimum wear.



### Benefits -

---

- Provides motivation for security officers to perform their assigned rounds, plus conclusive documentation that they have done so
- Easy to install using simple tools - a drill and a screwdriver
- Helps reduce the risk of fire, burglary, vandalism and industrial mishaps thus saving money on reduced insurance premiums

### Features -

---

- 24-hour record
- Embossed record made directly from raised numerals on recording keys without ribbon, carbons, or inking devices
- Highly accurate eight-day shock resistant movement with 11-jeweled escapement
- Accommodates up to 40 stations
- Tampering detector indicates if clock has been opened or closed
- Requires winding only once per week
- Dials are virtually impossible to counterfeit, alter or tamper with
- Rugged construction, including a die-cast aluminum housing, heat-treated crystal, and a riveted and reinforced case of harness leather

### Operation -

---

- Install a key station at each control point that the officer is to visit during his rounds
- Insert a new record dial into the clock, set the time and give the clock to the security officer
- As the officer visits each control point, he removes the recording key from the station, inserts it into the clock and turns the key. This registers the station number on the recording dial in the clock at the correct time of day.
- The recording dial has a ruled space for each of the 24 hours of the day. The advancement of the dial is synchronized with the clock mechanism, so that each time a station is registered, its number is embossed at the correct time of day and follows the previous registration. The recording keys are designed such that a missed station causes a conspicuous gap on the dial.
- The daily record is removed by simply unsnapping the locknut and removing the dial, and inserting a new one.
- When the dial is inspected, any stations missed or rounds not performed can be readily seen.

### **Key Stations -**

---

- Key station models that meet the requirements of every setting
- Easily and quickly installed by plant or office maintenance personnel, with only a screwdriver and drill
- Each key station installed with aluminum seals
- Any attempt by security personnel to collect the keys causes damage to seals, which is readily detected by routine inspection
- Chain holding key made from continuous links of stainless steel
- Chain is anchored such that any attempt to detach it from the station will create noticeable damage

### **Complete System Requirements-**

---

- Newman Watchclock - N24
- Key Stations -  
Indoor/outdoor - SDC-90 (Cyclocac® thermoplastic), SDA-90 (Powder-coated cast aluminum)  
Institutional - SSKL-90 (drawn steel with cover lock) or SSK-90 (drawn steel)
- Dials - BX-3924

### **All- Purpose Indoor/ Outdoor Key Stations -**

---

- Models SDC and SDA - surface mounted with simple lift-up covers for easy access
- Easily and quickly installed by plant or office maintenance personnel, with only a screwdriver and drill
- Suitable for indoor or outdoor factory and office locations
- SDC is molded from high-impact Cyclocac® (ABS) thermoplastic
- SDA is durable, powder coated cast aluminum

### **Watchclock Dimensions**

---

- Case - 5-5/8" Dia. x 2-3/8" Thick
- Clock Dial - 2-3/16" Dia.
- Shoulder Strap - 55" Long

### **Detex Service**

---

Factory regional sales and service office in New Braunfels Texas - operated under our supervision by authorized distributors worldwide, assure Detex users prompt and convenient service everywhere. Emergency loan equipment is available.

### **Institutional Key Stations -**

---

- Models SSK and SSKL - surface mounted, recommended for schools and other institutions
- Housing of drawn steel
- SSKL comes with cover lock to discourage tampering

### **Replacement Stations -**

---

- When ordering key stations, be sure to state whether station should include keys and chains
- Specify key station identification number desired and model

### **Replacement Keys -**

---

- K2K-22 - state quantity and station identification numbers
- Key package includes - key, chain, key shackle, seals, seal holders, anchor and screws

### **Detex Limited Warranty**

---

1 Year Limited Manufacturers Warranty



Detex Corporation  
302 Detex Drive  
New Braunfels, Texas 78130-3045 USA  
PH. (830) 629-2900  
(800) 729-3839  
FAX (830) 620-6711  
(800) 653-3839  
<http://www.detex.com>  
USA Sales:  
[marketing@detex.com](mailto:marketing@detex.com)  
International Sales:  
[export@detex.com](mailto:export@detex.com)

# Newman Quartz Watchclock System

## Mechanical Watchclock

---

Our battery-operated Newman Quartz watchclock delivers all the dependability you'd expect from a Newman, but with a reliable quartz movement. Like its famed mechanical counterpart, the Newman Quartz watchclock provides a 24-hour record directly embossed on a paper time dial by means of raised numerals on the recording keys. The Newman Quartz watchclock is lightweight and is built to withstand rugged use with a die-cast aluminum housing and a tough, nylon case. And it never needs winding.



### Benefits -

---

- Provides motivation for security officers to perform their assigned rounds, plus conclusive documentation that they have done so
- Helps reduce the risk of fire, burglary, vandalism and industrial mishaps thus saving money on reduced insurance premiums
- Easy to install using simple tools - a drill and a screwdriver
- Produces a secure, tamper-resistant record with dials that are virtually impossible to counterfeit, alter or tamper with
- Economical - ideal for users with restricted security budgets or sites with up to 40 control points
- Never needs winding; one "AA" battery provides one year of trouble-free operation

### Features -

---

- Lightweight and easy to carry
- Built to withstand rugged use with a die-cast aluminum case
- Cover is secured by a lock
- The entire clock is enclosed in a rugged nylon pouch
- 24-hour record embossed directly on dials from raised numerals on recording keys without ribbon, carbons, or inking devices
- Highly accurate precision quartz movement
- Accommodates up to 40 stations
- Tampering detector indicates the exact time the case cover is opened or closed
- A shoulder strap allows the clock to be carried in a protected position

### Operation -

---

- Install a key station at each control point that the officer is to visit during his rounds
- Insert a new record dial into the clock, set the time and give the clock to the security officer
- As the officer visits each control point, he removes the recording key from the station, inserts it into the clock and turns the key. This registers the station number on the recording dial in the clock at the correct time of day.
- The recording dial has a ruled space for each of the 24 hours of the day. The advancement of the dial is synchronized with the clock mechanism, so that each time a station is registered, its number is embossed at the correct time of day and follows the previous registration. The recording keys are designed such that a missed station causes a conspicuous gap on the dial.
- The daily record is removed by simply unsnapping the locknut and removing the dial, and inserting a new one.
- When the dial is inspected, any stations missed or rounds not performed can be readily seen.

### **Key Stations -**

---

- Key station models that meet the requirements of every setting
- Easily and quickly installed by plant or office maintenance personnel, with only a screwdriver and drill
- Each key station installed with aluminum seals
- Any attempt by security personnel to collect the keys causes damage to seals, which is readily detected by routine inspection
- Chain holding key made from continuous links of stainless steel
- Chain is anchored such that any attempt to detach it from the station will create noticeable damage

### **Complete System Requirements-**

---

- Newman Quartz Watchclock
- Key Stations -  
Indoor/outdoor - SDC-90 (Cyclac® thermoplastic), SDA-90 (Powder-coated cast aluminum)  
Institutional - SSKL-90 (drawn steel with cover lock) or SSK-90 (drawn steel)
- Dials - BX-3924

### **All- Purpose Indoor/ Outdoor Key Stations -**

---

- Models SDC and SDA - surface mounted with simple lift-up covers for easy access
- Easily and quickly installed by plant or office maintenance personnel, with only a screwdriver and drill
- Suitable for indoor or outdoor factory and office locations
- SDC is molded from high-impact Cyclac® (ABS) thermoplastic
- SDA is durable, powder coated cast aluminum

### **Watchclock Dimensions**

---

- Case - 5-5/8" Dia. x 2-3/8" Thick
- Clock Dial - 2-3/16" Dia.
- Shoulder Strap - 55" Long

### **Detex Service**

---

Factory regional sales and service office in New Braunfels Texas - operated under our supervision by authorized distributors worldwide, assure Detex users prompt and convenient service everywhere. Emergency loan equipment is available.

### **Institutional Key Stations -**

---

- Models SSK and SSKL - surface mounted, recommended for schools and other institutions
- Housing of drawn steel
- SSKL comes with cover lock to discourage tampering

### **Replacement Stations -**

---

- When ordering key stations, be sure to state whether station should include keys and chains
- Specify key station identification number desired and model

### **Replacement Keys -**

---

- K2K-22 - state quantity and station identification numbers
- Key package includes - key, chain, key shackle, seals, seal holders, anchor and screws

### **Detex Limited Warranty**

---

1 Year Limited Manufacturers Warranty



Detex Corporation  
302 Detex Drive  
New Braunfels, Texas 78130-3045 USA  
PH. (830) 629-2900  
(800) 729-3839  
FAX (830) 620-6711  
(800) 653-3839  
<http://www.detex.com>  
USA Sales:  
[marketing@detex.com](mailto:marketing@detex.com)  
International Sales:  
[export@detex.com](mailto:export@detex.com)

# ***Safety, Security and Risk Management***



**RELIANT**

# RELIANT™ PLUS

## Guard Tour Verification System Kit

Reliant PLUS from DETEX provides a complete, simple-to-use solution for guard tour verification and other data-collection tasks. The Reliant PLUS Kit includes everything you need to quickly and easily set up a complete guard tour system that features the rugged Reliant data acquisition unit, stainless steel iButton® touch-memory checkpoints and the user-friendly Reliant PLUS communication and reporting software.

### Reliant Data Acquisition Unit



REL-DAU-8

The Reliant Data Acquisition Unit (DAU) is a rugged, portable device with no external controls that records and stores readings from the iButton checkpoints, along with the time and date of each reading. The device is protected by an enclosure of glass-reinforced polycarbonate (Lexan®). Successful readings are confirmed both by audible and visible indicators. The Reliant stores 5,460 readings in nonvolatile RAM. The unit will operate for one year or 500,000 readings on three "AAA" batteries, which are user-changeable. The Reliant measures 3.88" x 1.9" x 1.36" (98.5mm x 48mm x 34.5mm) and weighs 5.3 oz. (150g).

### Reliant Data Transfer Unit



REL-DTU-8

The Reliant Data Transfer Unit (DTU) transfers checkpoint readings from the Reliant DAU to a PC for processing into reports. The REL-DTU connects to the PC via an RS-232 (serial) port or a USB port.

### Touch-Memory iButton® Checkpoints



REL-CKP

The Reliant checkpoints use stainless-steel touch-memory iButtons. Each iButton has a unique 16-digit ID number that identifies the checkpoint, security officer, supervisor, etc. to which it is assigned. The iButtons are assembled into checkpoints using clear polycarbonate shells and mounted with the self-threading screws provided.

### Reliant Incident Book



REL-INCBK

Incidents may be recorded using the Reliant Incident Book. Incidents are pre-defined and assigned numeric codes in the Reliant PLUS software. Incidents observed by the officer are recorded during a tour by entering the incident's code, using the touch-memory keypad.

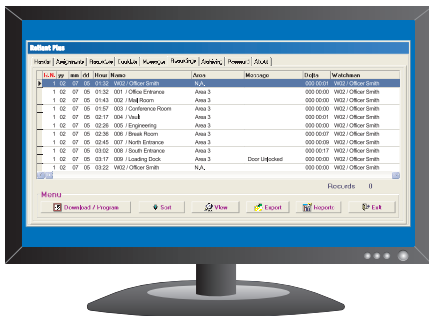
## Reliant PLUS Software



Reliant PLUS is an easy-to-use software application for communicating with and configuring the Reliant DAU, transferring and analyzing your data and producing reports of officers' activities. Its Paradox database provides powerful and flexible reporting features, including:

- Filtered reports
- Performance/Exceptions report
- Missed Stations reports

Reliant PLUS also includes archiving and database management and repair functions.



March 2014

## Mobile Data Transfer Unit



REL-MDTU-8

The Reliant Mobile Data Transfer Unit, with a capacity of 21,842 readings, can collect the data from several Reliant DAUs. This makes it unnecessary to take a portable PC to several sites or to bring the DAUs to a central location for downloading.

## iButtons for Officer & Supervisor ID

iButton ID Badges and Keys are used to identify officers or supervisors in the reports, so that responsibility for performance of tasks may be assigned.



ID Badge  
(REL-BDG)



ID Keys  
(REL-KF)

## Contents of Kit

- 1 - Reliant Data Acquisition Unit
- 1 - Nylon Holster
- 1 - Reliant Data Transfer Unit
- 1 - Reliant PLUS Software CD, including User Manual (PDF)
- 2 - iButton® ID Keys
- 10 - Checkpoints (including iButtons)
- 1 - Incident Book

## iButton Mounting Options

Other options for mounting iButtons include one-piece aluminum mounts.

2mm Aluminum Mount  
(REL-CKP-MNT3)



1mm Aluminum Mount  
(REL-CKP-MNT4)

## Detex Limited Warranty

2-Year Limited Manufacturers Warranty



Detex Corporation  
302 Detex Drive  
New Braunfels, Texas 78130-3045 USA  
PH. (830) 629-2900  
(800) 729-3839  
FAX (830) 620-6711  
(800) 653-3839  
<http://www.detex.com>  
USA Sales:  
[marketing@detex.com](mailto:marketing@detex.com)  
International Sales:  
[export@detex.com](mailto:export@detex.com)