



Electric Dogging (ED)

The Electric Dogging (ED) device option is designed for entrance and exit doors with panic or fire exit hardware. When energized, and after the pushpad is depressed, the pushpad and the latch bolt remain retracted, providing push-pull operation. Relocking all devices is accomplished by using a single switch or through a fire alarm input.



10 Series Rim Exit Device shown

Available with 10/40 Rim, 30 Mortise, 20/21/50/51 Surface Vertical Rod Devices and 60/61/62/63/70/71/80/81/82/83 Concealed Vertical Rod Devices

Benefits

- One-touch operation turns any secured door or group of doors into push-pull openings and releases them as required
- Door remains locked until first activation of pushpad (exit)
- Economical alternative to latch retraction when only dogging is required
- Simple mounting and wiring provide quick, trouble free installation, saving time and money
- Pushpad remains depressed while latch is retracted, preventing unnecessary cycling, for quieter operation

Features

- Maintained latch and pushpad retraction
- Continuous duty magnet
- Operates on 24VAC or 24VDC

Mechanical Options

- FC - Flex Conduit and End Cap
- AL-18 - Surface Armored Loop (Door/Frame mounted)

Electrical Options

- Request to Exit (EX)
- 90-800 Power Supply - 24VDC filtered, regulated with fire loop connection
- PP-5152-2 24VAC Transformer

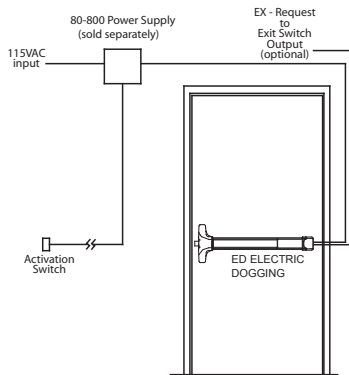
Technical Information

- Fire rated devices require fire alarm panel interface for fire code compliance

Finishes (Advantex)

605 / US3	Polished Brass	628 / US28	Aluminum Satin	693 / SPBLK	Black, Painted
606 / US4	Brushed Brass	629 / US32	Polished Stainless Steel	695 / SP 313	Dark Bronze, Painted
611 / US9	Polished Bronze				
612 / US10	Brushed Bronze	630 / US32D	Brushed Stainless Steel		
613 / US10B	Oil Rubbed Bronze				

Riser Diagram



Listings and Approvals

See individual device (i.e. 10 Series) catalog page for listings and approvals

Detex Limited Warranty

10 Year Mechanical/3 Year Electrical Limited Manufacturer's Warranty

Where Trust is Built™
DETEX®
Life Safety and Security Door Hardware

Detex Corporation
302 Detex Drive
New Braunfels, Texas 78130-3045 USA
PH. (830) 629-2900
(800) 729-3839
FAX (830) 620-6711
(800) 653-3839
<http://www.detex.com>
USA Sales:
marketing@detex.com
International Sales:
export@detex.com



Delayed Egress Rim Exit Device (EE)

The Delayed Egress Rim Exit Device (EE) is designed for **primary and secondary exits** and provides a secure **15-second delay** and a **100dB alarm** when someone attempts to exit. This 15-second delay allows time for management to respond to the alarm before someone exits and the alarm deters the exit from occurring. Per life safety requirements, the EE must be provided with a fire alarm input, thus providing a system override during a fire emergency. The EE provides security while meeting all life safety concerns, offering an exceptional value.



10 Series Rim Exit Device shown

Power Supply Included as standard feature
Shown with factory installed mortise cylinder

Available with 10/40 Rim, 30 Mortise, 20/21/50/51 Surface Vertical Rod Devices and 60/61/62/63/70/71/80/81/82/83 Concealed Vertical Rod Devices

Benefits

- Fast and easy installation
- Secure installation prevents mistakes, enhances security and reduces maintenance
- Fits almost any door in any décor
- Provides immediate egress while securing against entry during a power failure/fire alarm
- Durable design provides years of trouble-free protection, saving on replacement costs
- One cylinder provides arming, disarming and dogging
- Controls foot traffic, deters unauthorized exits, prevents loss and meets building code requirements
- Can be combined with ER Option and operator to provide Delayed Egress and an automatic door (See EExER Option)

Features

- Powered by a 24VDC filtered and regulated power supply
- Heavy-duty angled end-cap
- 9V battery provides alarm function only in case of power failure
- Panic Device and power supply have passed testing for electrostatic discharge (ESD) by an independent testing laboratory
- Heavy-duty ribbed aluminum rail extrusion
- Armed and disarmed field selectable status indicator
- Power supply delivers a constant 24VDC of filtered and regulated voltage at a rated load of 1A, including ripple rejection and transient noise suppression circuitry
- Accommodates all types of mortise cylinders with a standard Yale cam
- Delayed arming allows arming after door closes
- Stainless steel, 3/4" deadlocking Pullman-type latch bolt
- Patented mounting plate and strike locator system provide perfect alignment with door and frame
- Remote signal output and remote bypass input standard
- Non-handed, field sizeable
- Single mortise cylinder provides arming and dogging - can be factory installed
- Alarm triggered by latch bolt or pushpad movement
- 100dB alarm
- State-of-the-art electronics offer reliable security and instantaneous alarm
- Fire alarm input can be connected at power supply or panic bar
- 1/8 turn cylinder dogging
- Visual and audible arming indicators
- Includes delayed egress panic bar, 24VDC filtered and regulated power supply, and door sign

Mechanical Options

- MC65 - Factory Installed Mortise cylinder
- CD - Cylinder Dogging (Std.)
- 99 - Surface Strike (Std.)
- IC7 - Factory Installed IC Housing
- LD - Less Dogging
- 98 - Semi Mortise Strike
- F - 3-Hour Fire Rated
- KS - Key Stop (Key removed only when armed)
- H - Hurricane rating
- 36" Door Width (Std.)
- SLR - Silencer
- 48" Door Width



Electrical Options

- 30 - 30 second delayed egress prior approval letter from Authority Having Jurisdiction required
- AL18 - Surface Armored Loop (Door/Frame mounted)
- PT5 - Power Transfer
- EE05 Options Package - Non-extended bypass, alarm sounds if door left open / silent arming / reset alarm with access control, or reset alarm with key only.
- Other Advantex delayed egress panic devices include:
- Delayed Egress with Electromagnetic Lock (EM)
- SI- Status Indicators - Armed/ Disarmed

Accessories

- SN1 - Sex Nut fasteners
- Optional Cylinder Nut Wrench P/N: 103779 
- Foreign Language Signs available Contact Factory
- Outside trim options (See Advantex Trim Options)

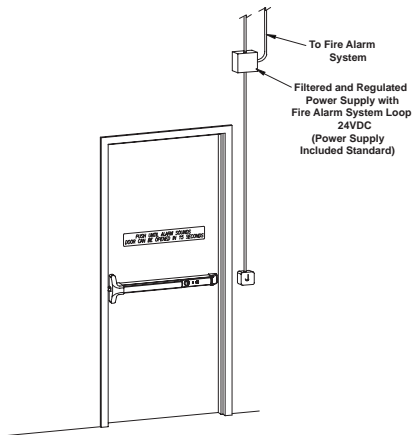
Technical Information

- Door Types - Wood, Hollow Metal, Fiberglass or Aluminum
- Door Stile - See applicable device page
- Machine and Self-Drilling fasteners (Std.)
- Door Thickness - Fits standard 1 3/4" - 2 1/4"
- Optional Sex Nuts or Security Torx Screws available

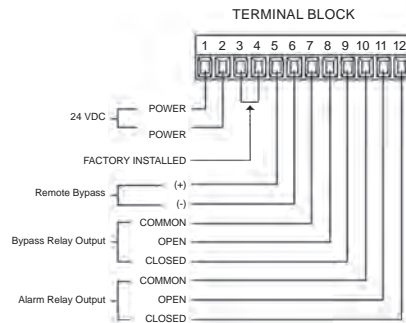
Finishes (Advantex products)

605 / US3 Polished Brass	628 / US28 Aluminum Satin	693 / SPBLK Black, Painted
606 / US4 Brushed Brass	629 / US32 Polished Stainless Steel	695 / SP 313 Dark Bronze, Painted
611 / US9 Polished Bronze	630 / US32D Brushed Stainless Steel	
612 / US10 Brushed Bronze		
613 / US10B Oil Rubbed Bronze		

Riser Diagram



Terminal Block



Detex Limited Warranty

10 Year Mechanical/3 Year Electrical Limited Manufacturer's Warranty

Listings and Approvals

See individual device (i.e. 10 Series) catalog page for listings and approvals



Detex Corporation
 302 Detex Drive
 New Braunfels, Texas 78130-3045 USA
 PH. (830) 629-2900
 (800) 729-3839
 FAX (830) 620-6711
 (800) 653-3839
<http://www.detex.com>
 USA Sales:
marketing@detex.com
 International Sales:
export@detex.com



Delayed Egress with Latch Retraction (EExER) (Patented)

Delayed Egress with Latch Retraction (EExER) is designed for applications where both delayed egress and remote unlocking, remote dogging, access control or an automatic door operator is desired. An EX Request to Exit Switch is included for push pad monitoring. The 100 dB alarm will sound when someone attempts to exit but the door will remain locked for 15 seconds, deterring unauthorized exits and providing time to respond to the alarm. Ideal for restricted areas, access controlled doors, and any door requiring authorized entry or exit, while preventing unauthorized entry or exit. Perfect for fire-rated, cross corridor, access controlled, delayed egress doors with automatic operators, all without using magnetic locks or electric strikes.



10 Series Rim Exit Device shown



Logic Controller / Power Supply Required but not included

**PUSH UNTIL ALARM SOUNDS
DOOR CAN BE OPENED IN 15 SECONDS**



RIU specified & supplied with Logic Controller

Available with 10/40 Rim, 30 Mortise, 20/21/50/51 Surface Vertical Rod Devices and 60/61/62/63/70/71/80/81/82/83 Concealed Vertical Rod Devices)

Benefits

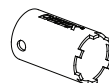
- All delayed egress and access control functions are implemented in the exit device, no external magnets, electric strikes or electric trims are needed
- 15-second delay prevents unauthorized exit, reduces theft and protects those trying to exit
- Use of any access control system and latch retraction allows entry/exit for any authorized card holder
- Required fire alarm input provides life safety override for immediate exit during a fire emergency
- Easy-to-operate with visual and audible arming indicators
- Simple mounting and wiring provide quick, trouble-free and secure installation saving time and money
- Available as stand-alone or fully-integrated EasyKit

Features

- Heavy-duty, Grade 1 exit device stands up to extreme high traffic conditions
- 100dB alarm demands attention, even in noisy environments, helping prevent unauthorized exits
- Wall mounted remote interface module with red/green LEDs provide visual arming indication
- Automatic rearm occurs after authorized entry and exit
- Can be reset by key and/or Access Control
- Through-wire hinge or power transfer compatible
- Available in various finishes and with assorted trims to fit any application or décor

Mechanical Options

- FC - Flex Conduit and End Cap (ex. 10xEExERxFC)
- MC65 - Factory Installed Mortise Cylinder
- AL18 - Surface Armored Loop (Door/Frame Mounted)
- KS - Key Stop, key removed only when armed
- Optional Cylinder Nut Wrench P/N: 103779
- Foreign Language Signs Available - Contact Factory



Electrical Options

- 30 - 30 second delayed egress prior approval letter from Authority Having Jurisdiction required
- LX - Latch Bolt Monitor / Latch Secure Switch
- SA - Silent Arming
- RKO - Reset by Key Only (Reset with key/Access Control Std.)
- LN - Less Nuisance Alarm

Technical Information

EExER Panic Device:

- Logic and power requirements supplied by 84-800 Logic Controller and Power Supply designed for single door application (required and sold separately)
- 84-800 amp draws at 1.2 Amps @ 24 VDC
- 85-800 Logic Controller and Power Supply designed for double door applications (required and sold separately)
- 85-800 amp draws at 2.5 Amps @ 24 VDC

- Fire alarm input - Requires a closed contact (when powered) of a locally approved fire alarm system

Remote Interface Module: (provided with Logic Controller)

- Wall mounted
- Dummy cylinder included
- May also be used with 5, 6 or 7-pin standard and interchangeable core cylinder
- Available in Surface or Flush mount
- Available in Gray or Black Finish

84-800 / 85-800 Logic Controller and Power Supply

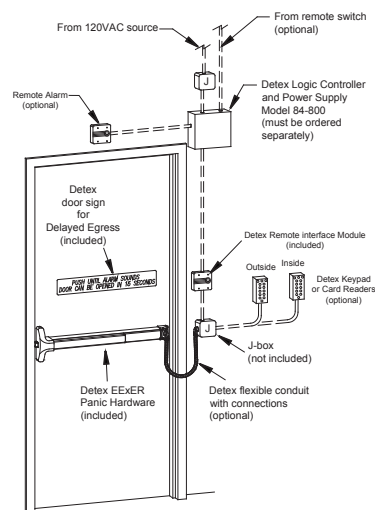
- Remote bypass output - .5A@24VAC/VDC Max.
- Remote bypass input
- Silent arming/rearming optional

*See Detex website for 84-800 and 85-800 How to Order

Device Finishes

605 / US3	Polished Brass	628 / US28	Aluminum Satin	693 / SPBLK	Black, Painted
606 / US4	Brushed Brass	629 / US32	Polished Stainless Steel	695 / SP 313	Dark Bronze, Painted
611 / US9	Polished Bronze	630 / US32D	Brushed Stainless Steel		
612 / US10	Brushed Bronze				
613 / US10B	Oil Rubbed Bronze				

Riser Diagram



Listings and Approvals

See individual device (i.e. 10 Series) catalog page for listings and approvals

Detex Limited Warranty

10 Year Mechanical/3 Year Electrical Limited Manufacturer's Warranty

Where Trust is Built™
DETEX®
Life Safety and Security Door Hardware

Detex Corporation
 302 Detex Drive
 New Braunfels, Texas 78130-3045 USA
 PH. (830) 629-2900
 (800) 729-3839
 FAX (830) 620-6711
 (800) 653-3839
<http://www.detex.com>
 USA Sales:
marketing@detex.com
 International Sales:
export@detex.com



Electric Integration (EI)

The Electric Integration device, designed for applications where electric integration is required, provides the customer with a means of integration to new or existing systems, including the Detex Series 800 Logic Controller. The customer may select from these components to integrate and create different functions from the single product package. This variety of components offers an alarm to sound, monitor the latch bolt position and/or pushpad when depressed, signals a remote panel by key switch operation when activated from inside or outside authorization, and offers 2 LED's to enhance required functions. The operation of switches will open or close (SPDT) to integrate with digital video recorders, remote alarms, strobe lights, or commence the cycle in a separate delayed egress system.



Available with 10/40 Rim and 30 Mortise Devices

Benefits

- Fast and easy installation
- Multiple switching choices for ease-of-use
- Durable electronics provide years of trouble free service, saving on replacement costs
- Controls foot traffic, deters unauthorized exits, prevents loss and meets building code requirements
- Integrate with logic controllers, power supplies and most security equipment, to provide reliable, integrated loss prevention protection

Features

- State-of-the-art electronics for reliable instantaneous switch activation
- Mortise cylinder key switch output (Form C)
- Simple "plug-in" header type terminal strip located near end-cap for easy installation
- Tamper resistant switching monitors dead latch and outside trim input
- Cylinder dogging (Std.) except with fire rated devices
- Dual LED visual arming indicators (one red, one green)
- 100dB Piezo Alarm
- Pushpad/Latch bolt position switch outputs
- All switching capable of handling 12 or 24 Volts AC or DC
- Authorized access switch output
- (3) Standard SPDT (Form C) switches
- Code-compliant door sign (English)


Mechanical Options

- LD - Less Dogging
- H - Hurricane Rated
- KS - Key Stop - key removed only when armed
- F - 3-Hour Fire Rated

Electrical Options

- 10-800 or 11-800 Logic Controller and Power Supply for Electric Integration (required but not included)

Accessories

- FC - Flex Conduit and End Cap Fitting
- MC65 - Pre-installed Mortise Cylinder
- IC7 - Pre-installed Interchangeable Core Cylinder
- SSK - Security Torx Screws
- SN1 - Sex Nuts
- AL18 - Surface Armored Loop (door/frame mount)
- PT5 - Power Transfer
- EWH8-626 - Electric Wire Hinge
- Optional Cylinder Nut Wrench P/N: 103779 
- Foreign Language Signs available

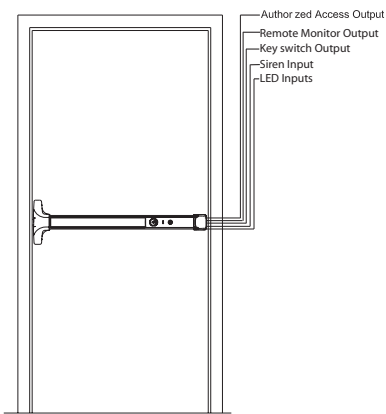
Technical Information

- Detachable plug-in terminal strip
- Switch jumpers for NO/NC contacts
- Machine and self-drilling screws (Std.)
- Through-wire hinge or power transfer compatible

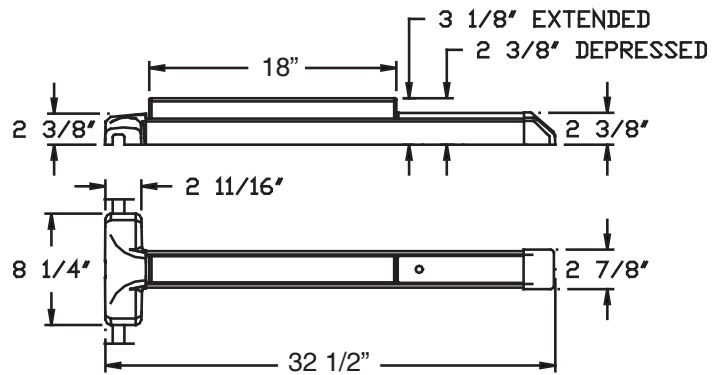
Finishes (Advantex)

605 / US3	Polished Brass	628 / US28	Aluminum Satin	693 / SPBLK	Black, Painted
606 / US4	Brushed Brass	629 / US32	Polished Stainless Steel	695 / SP 313	Dark Bronze, Painted
611 / US9	Polished Bronze				
612 / US10	Brushed Bronze	630 / US32D	Brushed Stainless Steel		
613 / US10B	Oil Rubbed Bronze				

Riser Diagram



Dimensions



Listings and Approvals

See individual device (i.e. 10 Series) catalog page for listings and approvals

Detex Limited Warranty

10 Year Mechanical/3 Year Electrical Limited Manufacturer's Warranty

Where Trust is Built™
DETEX®
Life Safety and Security Door Hardware

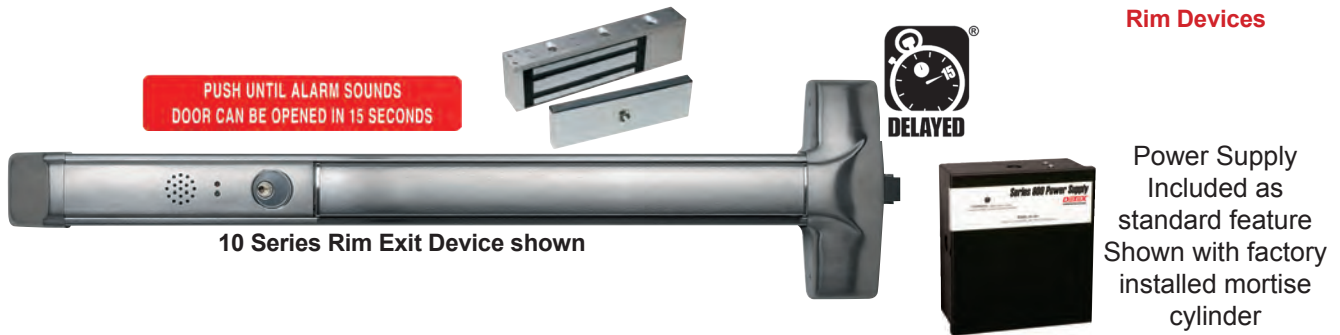
Detex Corporation
 302 Detex Drive
 New Braunfels, Texas 78130-3045 USA
 PH. (830) 629-2900
 (800) 729-3839
 FAX (830) 620-6711
 (800) 653-3839
<http://www.detex.com>
 USA Sales:
marketing@detex.com
 International Sales:
export@detex.com



Delayed Egress with Magnetic Locking (EM)

The Delayed Egress Magnetic Locking (EM) option provides a secure 2-point locking device with 15-second delay and a 100dB alarm when someone attempts to exit. This 15-second delay allows time for management to respond to the alarm before someone exits and the alarm deters the exit from occurring. Per life safety requirements, the EM must be provided with a fire alarm input, thus providing a system override during a fire emergency. The EM provides security while meeting all life safety concerns, offering an exceptional value.

Available with 10/40 Rim Devices



Benefits

- Fast and easy installation
- Durable design provides years of trouble-free protection
- Controls foot traffic, deters unauthorized exits, prevents loss and meets code requirements
- 2-point locking provides tandem-holding force of latch bolt (1400 lb) and electromagnetic lock (1500 lb)
- Reduces employee and customer theft
- Fits almost any door in any décor
- One cylinder provides arming, disarming and dogging

Features

- Powered by a 24VDC filtered and regulated power supply
- Heavy-duty angled end-cap
- 9V battery provides alarm function only in case of power failure
- Panic Device and power supply have passed testing for electrostatic discharge (ESD) by an independent testing laboratory
- Heavy-duty ribbed aluminum rail extrusion
- Armed and disarmed field selectable status indicator
- Power supply delivers a constant 24VDC of filtered and regulated voltage at a rated load of 1A, including ripple rejection and transient noise suppression circuitry
- Accommodates all types of mortise cylinders with a standard Yale cam
- Delayed arming allows arming after door closes
- Remote signal output and remote bypass input standard
- Alarm triggered by latch bolt or pushpad movement
- Fire alarm input can be connected at power supply or panic bar
- Includes delayed egress panic bar, 24VDC filtered and regulated power supply, 1500 lb electromagnetic lock and door sign
- Stainless steel, 3/4" deadlocking Pullman-type latch bolt
- Patented mounting plate and strike locator system provide perfect alignment with door and frame
- Single mortise cylinder provides arming and dogging - can be factory installed
- State-of-the-art electronics offer reliable security and instantaneous alarm
- Visual and audible arming indicators

Mechanical Options

- MC65 - Factory Installed Mortise cylinder
- CD - Cylinder Dogging (Std.)
- 99 - Surface Strike (Std.)
- IC7 - Factory Installed IC Housing
- LD - Less Dogging
- 98 - Semi Mortise Strike
- FC - Flex Conduit and End Cap
- KS - Key Stop (Key removed only when armed)
- F - 3-Hour Fire Rating
- 36" Door Width (Std.)
- H - Hurricane rating
- 48" Door Width



Electrical Options

- 30 Second Delayed Egress (must have letter from AHJ)
- AL18 - Surface Armored Loop (Door/Frame mounted)
- PT5 - Power Transfer

Accessories

- SN1 - Sex Nut fasteners
- Outside trim options (See Advantex Trim Options)
- Foreign Language Signs available Contact Factory

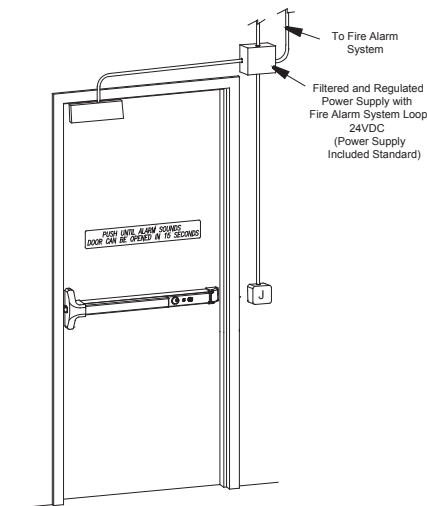
Technical Information

- Door Types - Wood, Hollow Metal, Fiberglass or Aluminum
- Door Stile - See applicable device page
- Machine and Self-Drilling fasteners (Std.)
- Door Thickness - Fits standard 1 3/4" - 2 1/4"
- Optional Sex Nuts or Security Torx Screws available

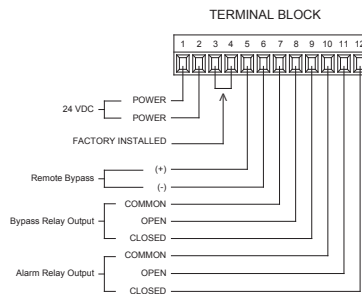
Finishes (Advantex)

605 / US3	Polished Brass	628 / US28	Aluminum Satin	693 / SPBLK	Black, Painted
606 / US4	Brushed Brass	629 / US32	Polished Stainless Steel	695 / SP 313	Dark Bronze, Painted
611 / US9	Polished Bronze				
612 / US10	Brushed Bronze	630 / US32D	Brushed Stainless Steel		
613 / US10B	Oil Rubbed Bronze				

Riser Diagram



Terminal Block



Listings and Approvals

See individual device (i.e. 10 Series) catalog page for listings and approvals

Detex Limited Warranty

10 Year Mechanical/3 Year Electrical Limited Manufacturer's Warranty

Where Trust is Built™
DETEX®
Life Safety and Security Door Hardware

Detex Corporation
 302 Detex Drive
 New Braunfels, Texas 78130-3045 USA
 PH. (830) 629-2900
 (800) 729-3839
 FAX (830) 620-6711
 (800) 653-3839
<http://www.detex.com>
 USA Sales:
marketing@detex.com
 International Sales:
export@detex.com



Electric Latch Retraction (ER)

The Electric Latch Retraction (ER) function is designed for entrance and exit doors with panic or fire exit hardware where remote unlocking, remote dogging, access control or automatic door operator is desired. An optional EX switch may be added to pushpad monitoring.



10 Series Rim Exit Device shown

Available with 10/40 Rim, 30 Mortise, 20/21/50/51 Surface Vertical Rod Devices and 60/61/62/63/70/71/80/81/82/83 Concealed Vertical Rod Devices

Benefits

- Works with any type of access control system
- Simultaneous pushpad and latch bolt retraction provides smooth surface with no catch points
- Provides a means for remote dogging and lock-down
- Fast and easy installation

Features

- Low voltage with no high current in-rush
- Momentary or maintained latch and pushpad retraction
- Long term dogging capability
- Continuous duty motor for quiet operation - no solenoid
- Simultaneous latch and pushpad retraction

Mechanical Options

- FC - Flex Conduit and End Cap
- AL18 - Surface Armored Loop (door/frame mounted)
- PT5 - Power Transfer

Electrical Options

- Latch Retraction power supplies are required and sold separately
- 81-800 - Power Supply for single door
- 82-800 - Power Supply for pair of doors
- 83-800 - Power Supply for two independent doors
- EX Exit Switch - Pushpad monitor switch
- LX - Latch bolt monitor / Latch Secure Switch

Technical Information

- Voltage 24VDC

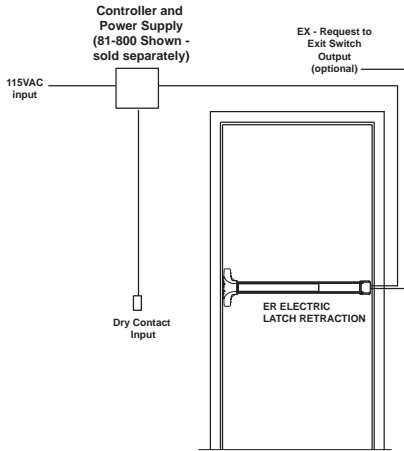
Finishes (Advantex)

605 / US3 Polished Brass
 606 / US4 Brushed Brass
 611 / US9 Polished Bronze
 612 / US10 Brushed Bronze
 613 / US10B Oil Rubbed Bronze

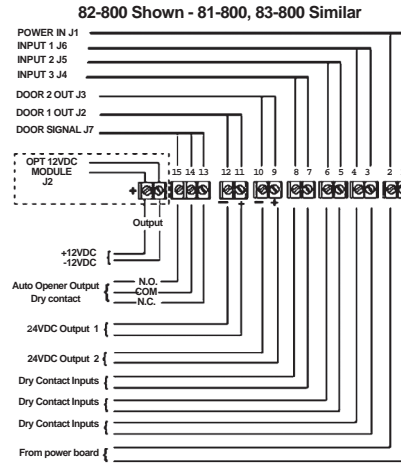
628 / US28 Aluminum Satin
 629 / US32 Polished Stainless Steel
 630 / US32D Brushed Stainless Steel

693 / SPBLK Black, Painted
 695 / SP 313 Dark Bronze, Painted

Riser Diagram



Riser Diagram



Listings and Approvals

See individual device (i.e. 10 Series) catalog page for listings and approvals

Detex Limited Warranty

10 Year Mechanical/3 Year Electrical Limited Manufacturer's Warranty

Where Trust is Built™
DETEX®
Life Safety and Security Door Hardware

Detex Corporation
 302 Detex Drive
 New Braunfels, Texas 78130-3045 USA
 PH. (830) 629-2900
 (800) 729-3839
 FAX (830) 620-6711
 (800) 653-3839
<http://www.detex.com>
 USA Sales:
marketing@detex.com
 International Sales:
export@detex.com



Weatherized Electric Latch Retraction (ERxW)

The Weatherized Electric Latch Retraction (ERxW) function is designed for entrance and exit doors with panic or fire exit hardware exposed to weather environments where remote unlocking, remote dogging, or access control is desired. The ERxW is listed as a UL panic and fire exit hardware device and conforms to UL 1034-34 Temperature Section 34, UL 1034-54 Dust Section 54, MIL-STD 810F, Method 509.4 (salt fog test), MIL-STD 810F, Method 506.4 (driving rain test) and UBC standard 7-2 (positive pressure). Power supply and controller must be installed in a NEMA 4X enclosure or located in a controlled, moisture-free environment.



10 Series Rim Exit Device shown

Available with 10/40 Rim and 20/21/50/51 Surface Vertical Rod Device

Benefits

- Works with any type of access control system
- Simultaneous pushpad and latch bolt retraction provides smooth surface with no catch points
- Provides a means for remote dogging and lock-down for added security in lockdown situations
- Fast and easy installation saves time and money

Features

- Low voltage with no high current in-rush
- Momentary or maintained latch and pushpad retraction
- Long term dogging capability
- Continuous duty motor for quiet operation - no loud solenoid
- Simultaneous latch and pushpad retraction
- Weatherized switches
- Coated materials allow use in weatherized environments

Mechanical Options

- Weatherized Flex Conduit
- EXxW Switch - Pushpad Monitor Switch

Electrical Options

- Latch Retraction power supplies are required and sold separately
- 81-800 - Power Supply for single door
- 82-800 - Power Supply for pair of doors
- 83-800 - Power Supply for two independent doors

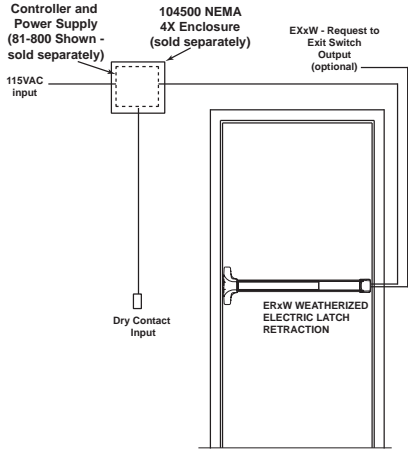
Technical Information

- Voltage 24VDC

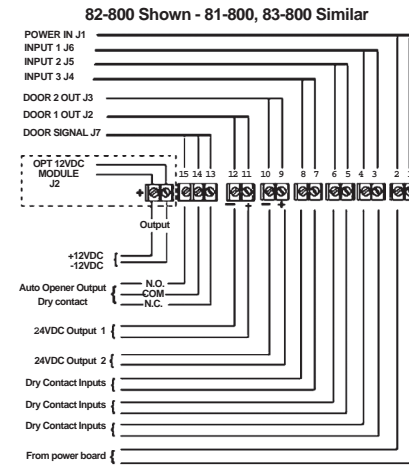
Finishes (Advantex)

605 / US3	Polished Brass	628 / US28	Aluminum Satin	693 / SPBLK	Black, Painted
606 / US4	Brushed Brass	629 / US32	Polished Stainless Steel	695 / SP 313	Dark Bronze, Painted
611 / US9	Polished Bronze				
612 / US10	Brushed Bronze	630 / US32D	Brushed Stainless Steel		
613 / US10B	Oil Rubbed Bronze				

Riser Diagram



Riser Diagram



Listings and Approvals

See individual device (i.e. 10 Series) catalog page for listings and approvals

Detex Limited Warranty

10 Year Mechanical/3 Year Electrical Limited Manufacturer's Warranty



Detex Corporation
 302 Detex Drive
 New Braunfels, Texas 78130-3045 USA
 PH. (830) 629-2900
 (800) 729-3839
 FAX (830) 620-6711
 (800) 653-3839
<http://www.detex.com>
 USA Sales:
marketing@detex.com
 International Sales:
export@detex.com



Switching & Signaling Options

ES - Electric Switching

The Electric Switching (ES) option includes two switches; one to monitor the latch bolt position and the other to monitor mechanical access from the exterior. It is designed for doors that require a means of indicating when the latch bolt is retracted while providing an alarm inhibit when using key entry. Always used in conjunction with other security systems, the Advantex ES function provides either normally closed or normally open (field selectable) contacts that can provide a signal to a variety of different components such as remote alarm or a central station.

Available with 10/40 Series Rim Exit Devices

EX - Request to Exit

The Request to Exit (EX) signaling option is used on exit doors with panic or fire exit hardware. This option indicates when the pushpad is depressed sending a signal to an alarm or sends a remote signal to monitor egress conditions.

Available with 10/40 Series Rim, 30 Series Mortise, 20/21/50/51 Series Surface Vertical Rod and 60/61/62/63/70/71/80/81/82/83 Series Concealed Vertical Rod Devices

EXxW - Weatherized Request to Exit



For use on doors or gates that require a means of signaling when someone depresses the pushpad on the panic device during egress in a moist, outdoor or other such application.

Always used in conjunction with other security items, the EXxW provides a normally closed or normally open contact signal to a logic controller. The controller will turn on a remote horn or strobe, control a magnetic lock during egress or initiate a delayed egress system. The EXxW is UL listed as panic and fire exit hardware as well as UBC standard 7-2 (positive pressure).

The EXxW meets the following standards: Mil 810F(G), 509.4 - Salt Fog, Mil 810F(G), 506.4 - Driving Rain Procedure 1, UL1034-34 Temperature Section 34 [Temperature Range -31° F (-35° C) to 151° F (+66° C)], and UL-1034-54 Dust Section 543. Available with 10/40 Series Rim, 30 Series Mortise and 20/21/50/51 Series Surface Vertical Rod Devices.

EXV - Request to Exit High Current / Voltage

The Request to Exit High Current switching option, can be used to control power to a device that requires higher current up to 2.0 amperes; such as an electro-magnetic lock, electric strike or motor.

Available with 10/40 Series Rim, 30 Series Mortise, 20/21/50/51 Series Surface Vertical Rod and 60/61/62/63/70/71/80/81/82/83 Series Concealed Vertical Rod Devices

Also available -

EXVxW (Weatherized Request to Exit High Current / Voltage)

The EXVxW meets the following standards: Mil 810F(G), 509.4 - Salt Fog, Mil 810F(G), 506.4 - Driving Rain Procedure 1, UL1034-34 Temperature Section 34 [Temperature Range -31° F (-35° C) to 151° F (+66° C)],

and UL-1034-54 Dust Section 54. Available with 10/40 Series Rim, 30 Series Mortise, and 20/21/50/51 Series Surface Vertical Rod Devices



LX - Latch Bolt Monitor

The Latch Bolt Monitor (LX) offers an internally mounted signal switch that monitors the position of the latch bolt. When used in conjunction with a door position switch, the Advantex Latch Bolt Monitor Switch (LX) can be used to insure a door is secure, signal when a door is opened and closed or send an alert when someone attempts to tamper with the latch bolt. Common uses would include signalling a security guard or nurses station. When an Advantex device is used on an opening with an automatic operator the LX can signal when the latch is retracted before the operator opens the door.

Available with 10/40 Series Rim Exit Devices

The **LX(V)** can be combined with the optional Advantex ER, electric latch retraction, as well as many electrified options including, EA, ED, EE, EExER, EX, EXV, AND EXxW.

Available with 10/40 Series Rim Exit Devices



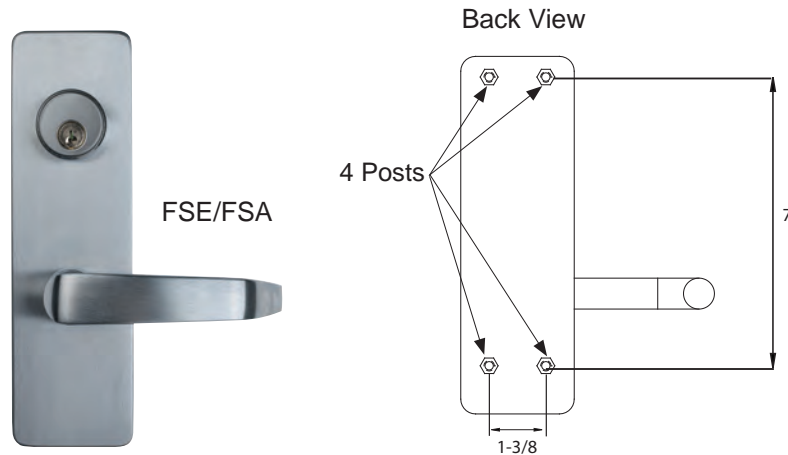
Detex Corporation
302 Detex Drive
New Braunfels, Texas 78130-3045 USA
PH. (830) 629-2900
(800) 729-3839
FAX (830) 620-6711
(800) 653-3839
<http://www.detex.com>
USA Sales:
marketing@detex.com
International Sales:
export@detex.com



EU, EUV or EUxDM

ELECTRIC UNLOCK TRIM - for use with 10/20/21/30/70/71/80/81/82/83 Series Exit Device

Provides remote means of locking or unlocking a door for authorized entry, access control, security or safety needs when used in conjunction with any Detex wide stile rim (10 Series), surface vertical rod (20 Series), mortise (30 Series - specify EUxDM) or concealed vertical rod (70/71, 80/81, 82/83 Series - specify EUV) exit device. Perfect for use on fire-rated doors, such as stairwell doors, allowing emergency entry after fire alarm activates fail safe trim. Excellent source of security for stairwell doors, elevator lobbies, or other access control systems used in installations in schools, universities, hospitals, retail, industrial, etc.



Benefits

- Retrofits over existing Detex lever trim
- Clutching trim limits vandalism
- Key override for emergency entrance during loss of power (FSE)

Features

- Cylinder override
- Spring loaded tailpiece
- Vandal resistant break-away type lever

Mechanical Options

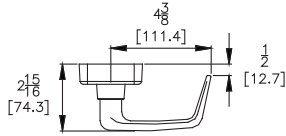
- Not Field Reversible
- EU - Comes standard as D Trim, with S style Lever and Fail Secure (FSE), for use with Detex wide stile (10 Series) Rim or (20 Series) Surface Vertical Rod Device
- EU x DT or DU - Comes with T style or U style lever, for use with Detex wide stile (10 Series) Rim or (20 Series) Surface Vertical Rod Device
- EUV - Comes standard as D Trim, with S style Lever and Fail Secure (FSE), for use with Detex wide stile (70/71, 80/81, 82/83 Series) Concealed Vertical Rod Device
- EUV x DT or DU - Comes with T style or U style lever, for use with Detex wide stile (70/71, 80/81, 82/83 Series) Concealed Vertical Rod Device
- EU x DM - Comes with S style lever, for use with Detex (30 Series) Mortise Exit Device
- EU x DMT or DMU - Comes with T style or U style lever, for use with Detex (30 Series) Mortise Exit Device
- KN - Knurling available on all levers

Electrical Options

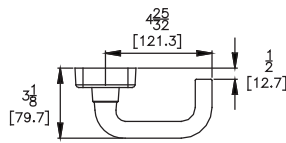
- Fail Secure (FSE) - During power failure, device will be locked (Security option) ex: EU x FSE x DU
- Fail Safe (FSA) - During power failure or fire alarm activation, the trim will always be unlocked. (Life Safety option) ex: EU x FSA x DM
- Not Field Selectable
- Not Field Selectable

Lever Options

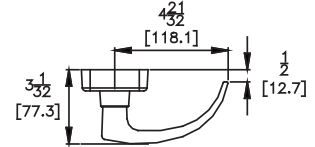
S Lever



T Lever



U Lever



Accessories

- MC65 - Mortise Cylinder
- IC7 - 7-pin Mortise Cylinder Housing (Core not included)
- 80-800 - 24 VDC power supply with battery charging circuit
- 90-800 - 24 VDC power supply without battery charging circuit
- CCL - Long cylinder collar (11/16")
- SE-2 - Shaft extension for 2 to 2 1/2" thick doors

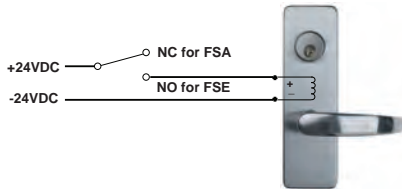
Finishes

605 / US3	Polished Brass	612 / US10	Brushed Bronze	629 / US32	Polished Stainless Steel
606 / US4	Brushed Brass	613 / US10B	Oil Rubbed Bronze	630 / US32D	Brushed Stainless Steel
611 / US9	Polished Bronze				

Technical Information

- 24VDC / 150ma continuous duty
- 12VDC / 310ma continuous duty

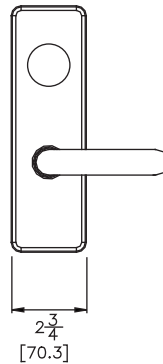
Wiring Diagram



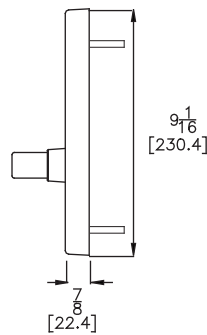
* See Detex website for EU How To Order

Dimensions

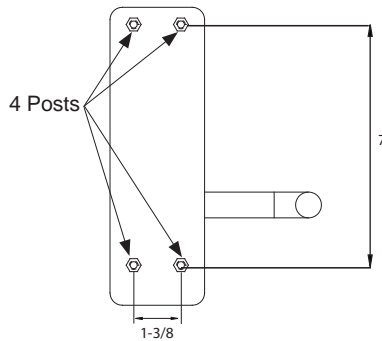
Front View



Side View



Back View



Listings and Approvals

MIL-STD 810F (G), Method 509.4 (Salt Fog Test)

MIL-STD 810F (G), Method 506.4 (Driving Rain), Procedure 1

UL 1034-34 Temperature Section 34 [Temperature Range -31° F (-35° C) to 150° F (+66° C)]

UL 1034-54 Dust Section 54

Detex Limited Warranty

10 Year Mechanical/3 Year Electrical Limited Manufacturer's Warranty

Where Trust is Built™
DETEX®
Life Safety and Security Door Hardware

Detex Corporation
 302 Detex Drive
 New Braunfels, Texas 78130-3045 USA
 PH. (830) 629-2900
 (800) 729-3839
 FAX (830) 620-6711
 (800) 653-3839
<http://www.detex.com>
 USA Sales:
marketing@detex.com
 International Sales:
export@detex.com

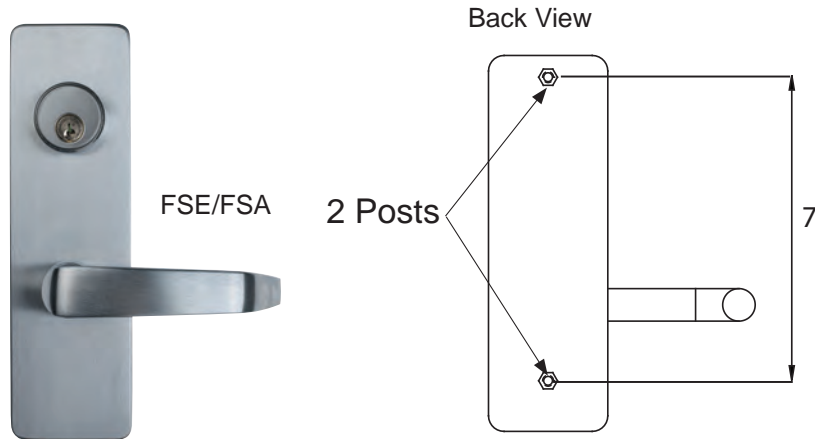


EU2W

ELECTRIC UNLOCK TRIM - for use with 40/50/51/V40/V50/V51 Series Exit Device

Provides remote means of locking or unlocking a door for authorized entry, access control, security or safety needs when used in conjunction with any Detex 40/V40 Series rim or 50/51/V50/V51 Series surface vertical rod exit device on doors with a minimum stile width of 4". Perfect for use on fire-rated doors, such as stairwell doors, allowing emergency entry after fire alarm activates fail safe trim. Excellent source of security for access control systems used in installations in schools, universities, hospitals, retail, industrial, etc.

For use ONLY on wide stile glass doors and hollow metal doors



Benefits

- Clutching trim limits vandalism
- Key override for emergency entrance during loss of power (FSE)

Features

- Cylinder override
- Spring loaded tailpiece
- Vandal resistant break-away type lever

Mechanical Options

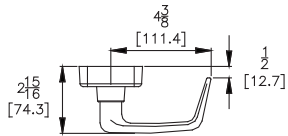
- Not Field Reversible
- EU2W - Comes standard as D Trim, with S style Lever and Fail Secure (FSE), for use with Detex 40/V40 Series Rim or 50/51/V50/V51 Series Surface Vertical Rod Device
- EU2W x DT or DU - Comes with T style or U style lever, for use with Detex 40/V40 Series Rim or 50/51/V50/V51 Series Surface Vertical Rod Device
- KN - Knurling available on all levers

Electrical Options

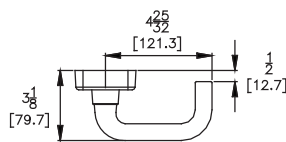
- Fail Secure (FSE) - During power failure, device will be locked (Security option) ex: EU x FSE
- Fail Safe (FSA) - During power failure or fire alarm activation, the trim will always be unlocked. (Life Safety option) ex: EU x FSA
- Not Field Selectable
- Not Field Selectable

Lever Options

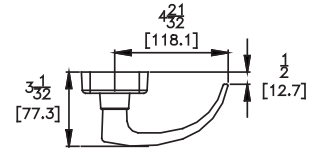
S Lever



T Lever



U Lever



Accessories

- MC65 - Mortise Cylinder
- IC7 - 7-pin Mortise Cylinder Housing (Core not included)
- 80-800 - 24 VDC power supply with battery charging circuit
- 90-800 - 24 VDC power supply without battery charging circuit
- CCL - Long cylinder collar (11/16")
- SE-2 - Shaft extension for 2 to 2 1/2" thick doors

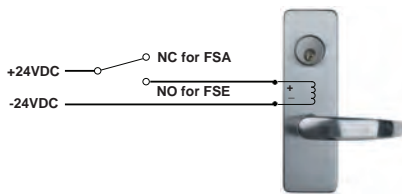
Finishes

605 / US3	Polished Brass	612 / US10	Brushed Bronze	629 / US32	Polished Stainless Steel
606 / US4	Brushed Brass	613 / US10B	Oil Rubbed Bronze	630 / US32D	Brushed Stainless Steel
611 / US9	Polished Bronze				

Technical Information

- 24VDC / 150ma continuous duty
- 12VDC / 310ma continuous duty

Wiring Diagram



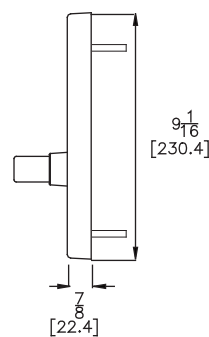
* See Detex website for EU How To Order

Dimensions

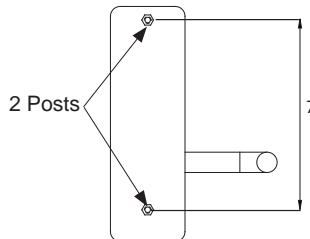
Front View



Side View



Back View



Listings and Approvals

MIL-STD 810F (G), Method 509.4 (Salt Fog Test)

MIL-STD 810F (G), Method 506.4 (Driving Rain), Procedure 1

UL1034 - 34 Temperature Section 34 [Temperature Range -31° F (-35° C) to 150° F (+66° C)]

UL1034 - 54 Dust Section 54

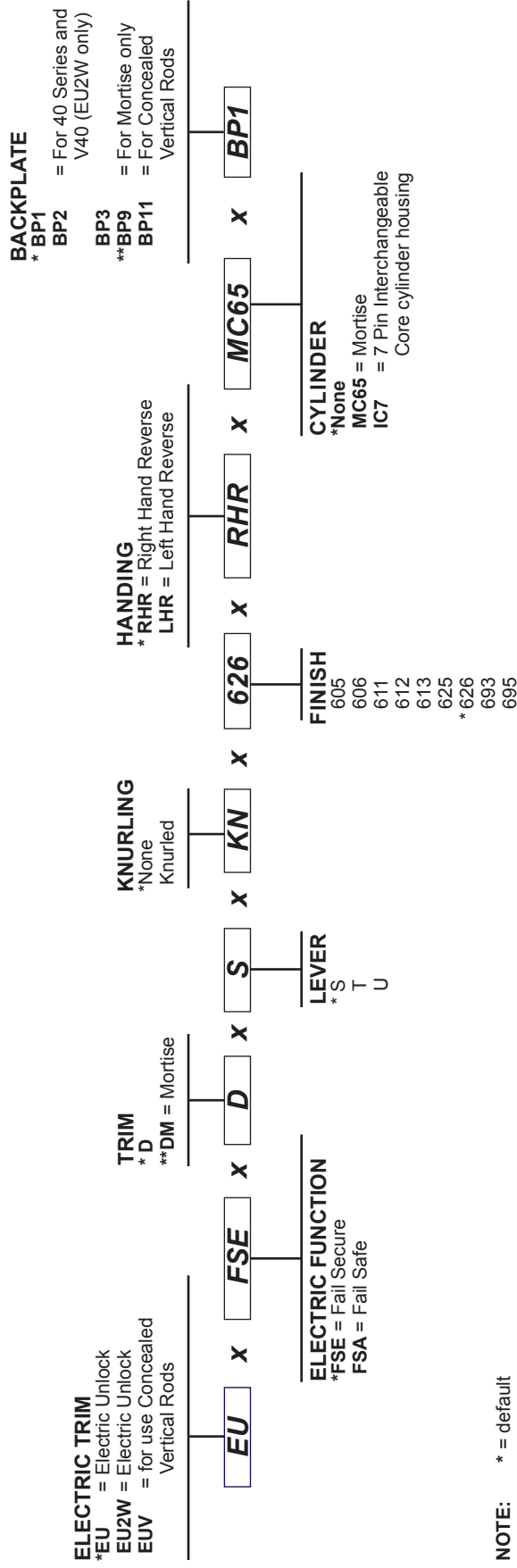
Detex Limited Warranty

10 Year Mechanical/3 Year Electrical Limited Manufacturer's Warranty

Where Trust is Built™
DETEX®
Life Safety and Security Door Hardware

Detex Corporation
 302 Detex Drive
 New Braunfels, Texas 78130-3045 USA
 PH. (830) 629-2900
 (800) 729-3839
 FAX (830) 620-6711
 (800) 653-3839
<http://www.detex.com>
 USA Sales:
marketing@detex.com
 International Sales:
export@detex.com

Electric Unlock (EU) HOW TO ORDER

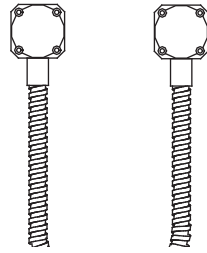


NOTE:
 * = default
 ** = for mortise only

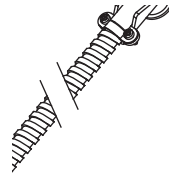
Examples: 10EU (includes - 10 Series, 08 trim function, D type trim, S lever, Fail Secure, 626 finish, RHR)
 10EU x FSA (includes - 10 Series, 09 trim function, D type trim, S lever, Fail Safe, 626 finish, RHR)
 30EU x FSA x DMT x 605 x LHR (includes - 30 Series, 09 trim function, DM type trim, T lever, Fail Safe, 605 finish, LHR)
 V40EU2W x MC65 (includes V40 Series, 08 trim function, D type trim, S lever, Fail Secure, MC65, 626 finish, RHR)

Surface Mounted Wiring Options

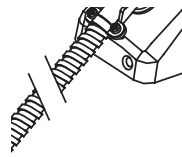
AL18 Armored Loop with billet aluminum end. 18" long



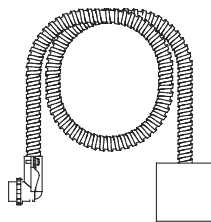
FC As a suffix when ordered with device, it provides 36" flex conduit without wires and with standard conduit connector



FCA Ordered separately from device, it provides 36" flex conduit without wires and with standard conduit connectors and modified device end-cap



JB1 Junction Box and 9' cable for use with magnetic lock on EM device



PT5 Power Transfer



Door Signs

EA-561 Adhesive Back "Emergency Exit Only - Alarm Will Sound"

ECL-365 Adhesive Back "Keep Pushing Door Will Open in 15 Seconds"

Magnetic Locks & Accessories

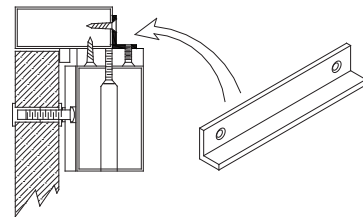
ML-1548 - Magnetic Lock

- 1,500 pounds holding force
- 12/24 VDC field selectable
- Easy installation features convenient plug-in wiring terminals and wire access cover
- Adjustable mounting bracket
- Surge protection
- No residual magnetism
- U.L. Listed

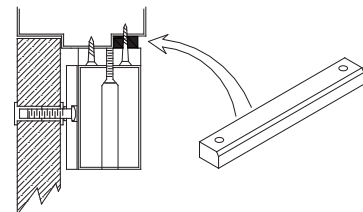


Specify: ML-1548-628 - Anodized Clear Aluminum

ML-1548-711 - Anodized Black Aluminum



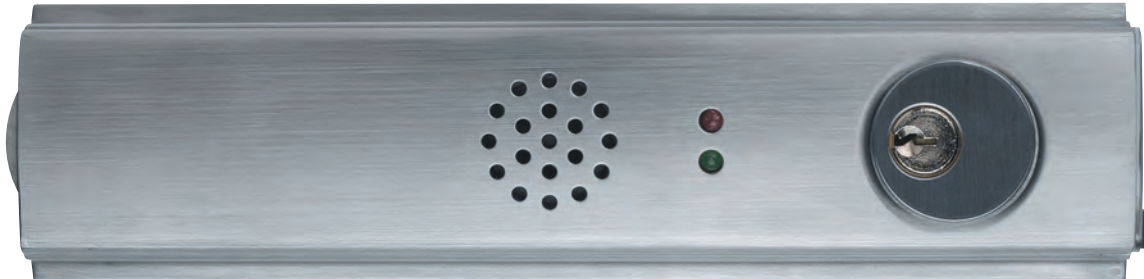
AB02 Angle Bracket - Provides easy mounting of ML-1548 to narrow frame reveal



Filler Brackets for gap caused by frame stop conditions.

FB02 3/8" x 3/4" filler bracket

FB04 5/8" x 3/4" filler bracket



List of Accessories

Strikes

Through Bolt Mounting Plate

Cylinders

Cylinder Collars

Cylinder Bracket Kit

Sex Nut Kits

Security Screw Kits

Glass Bead Kits

Tools

Slide-In Filler Kits

ER Retrofit Kit

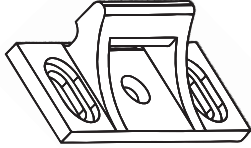
Dummy Exit Device



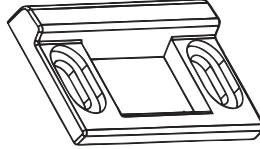
Accessories

Strikes

All required strikes are provided with exit devices. Replacement strikes are available as follows:



99 Surface - non-roller strike for 10/40 Series Rim Devices



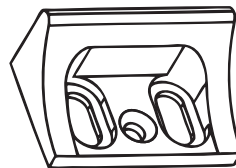
98 Semi-Mortise - applied strike for 10/40 Series Rim Devices



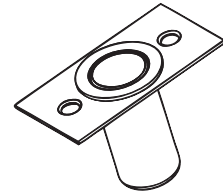
94 Double Door Strike - for 10/40 Series Rim Devices



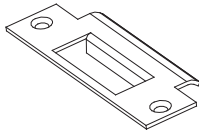
97 Top Surface - non-roller top strike for 20/21 Series Surface Vertical Rod Devices



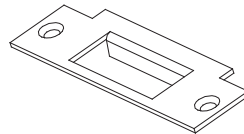
96 Top Surface - non-roller top strike for 50/51 Series Surface Vertical Rod Devices



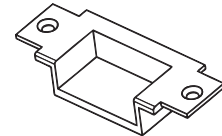
96/97 Bottom Dust Proof Strike - for 20 Series (97 Bottom) or 50 Series (96 Bottom) Surface Vertical Rod Devices



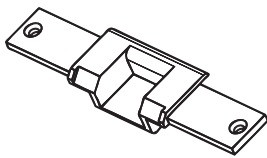
90 Standard ANSI Strike - for 30 Series Mortise Device



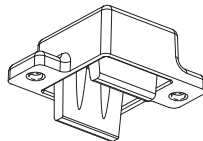
91 ANSI Flat Lip Strike - for 30 Series Mortise Device



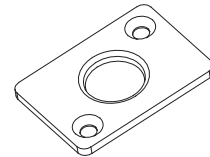
92 Double Door Strike with short open back - for 30 Series Mortise device



93 Double Door Strike with long open back - for 30 Series Mortise Device

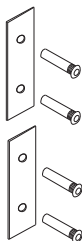


95T Top Strike - for 60/61/62/63/70/71/80/81/82/83 Series Concealed Vertical Rod Devices



95B Bottom Strike - for 60/62/70/80/82 Series Concealed Vertical Rod Devices

Through Bolt Mounting Plate Kit for SVR



TMP2 shown

TMP1 (Top Rod Only) / TMP2 (Top and Bottom Rod) - Through Bolt Mounting Plate Kit for use when replacing surface vertical rods on doors that are damaged or to cover existing exterior holes from previous device.

Kit is standard with two 630 finish plates and four 1/4-20 sex bolts. Contact factory for other finishes.

Cylinders



MC65 Mortise Cylinder - 1-1/8" 6-pin, keyed 5-pin. Available keyed alike or keyed differently. Finishes available: 605, 606, 612, 613, 626



RC65 Rim Cylinder - 6-pin, keyed 5-pin. Available keyed alike or keyed differently. Finishes available: 605, 606, 612, 613, 626



IC7 Interchangeable core cylinder housing - 7-pin, factory installed

Cylinder Collars

Cylinder Collars for 5 and 6 pin cylinders are provided with all outside trim.

CCS 7/16" Short Cylinder Collar - Cylinder collar for 5 and 6 pin cylinders. Finishes available: 605, 606, 612, 613, 626



CCL 11/16" Long Cylinder Collar - Cylinder collar for 7 pin interchangeable core cylinders. Finishes available: 605, 606, 612, 613, 626

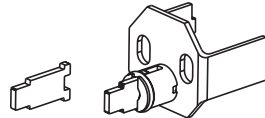


Glass Bead Kits

For use on doors with raised glass beads. Each kit contains one 1/4" shim set. Specify Kit number

Kit Number	For use with:
GB1	10 Series
GB2	40 Series
GB3	20 Series - 7 foot
GB4	21 Series - 7 foot
GB5	50 Series - 7 foot
GB6	51 Series - 7 foot
GB7	20 Series - 8 foot
GB8	21 Series - 8 foot

Cylinder Bracket Kit



CBK - Cylinder Bracket Kit consists of bracket and adjustable tailpiece assembly for rim cylinder used with other manufacturer's outside trim

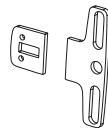
03CAK - Cylinder Bracket Kit (for 60 Series Only) consists of bracket and adjustable tailpiece assembly for rim cylinder used with other manufacturer's outside trim

Security Screw Kits

Contains an assortment of screw sizes and types for securing covers in place

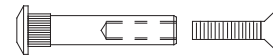
SSK1 - Security Screw Kit for rim exit device. Includes driver tip. Stainless Steel only

SSK2 - Security Screw Kit for SVR exit device. Includes driver tip. Stainless steel only



Kit Number	For use with:
GB9	50 Series - 8 foot
GB10	51 Series - 8 foot
GB11	20 Series - 10 foot
GB12	21 Series - 10 foot
GB13	50 Series - 10 foot
GB14	51 Series - 10 foot
GB15	V40 Series
GB16	30 Series

Sex Nut Kit



SN1 - Sex Nut Kit 1/4-20 — 2 per package

SN2 - Sex Nut Kit 10-32 — 2 per package

Tools



HDK - Hex Dogging Key - Heavy-duty with over molded ABS, dogging key is ergonomically designed to resist repetitive motion injuries.

Driver Tip for Security Screw:

TT10 - 6-32 Undercut FH Screws

TT15 - 8-32 FH Screws

TT25 - 10-32 FH Screws

TT27 - 1/4-20 and #14 Screws

Where Trust is Built™
DETEX®
Life Safety and Security Door Hardware

Detex Corporation
 302 Detex Drive
 New Braunfels, Texas 78130-3045 USA
 PH. (830) 629-2900
 (800) 729-3839
 FAX (830) 620-6711
 (800) 653-3839
<http://www.detex.com>
 USA Sales:
marketing@detex.com
 International Sales:
export@detex.com

Accessories

Slide-In Filler Kits

Slide-In Filler Kits allow change or addition to the device after initial installation. Specify device series (10, 20, 21, 30, 40, 50, 51, 60, 61, 62, 63, 70, 71, 80, 81, 82, or 83), size (36" or 48") and finish (605, 606, 611, 612, 613, 628, 629, 630, 693 or 695).

Example: 10x36x630



SIF-EA Exit Alarm - Slide-In Filler Kit provides 100 plus decibel directional piezo alarm with remote signal relay, remote bypass relay, and LED display. Optional Cylinder Dogging for non-fire rated devices. 9 volt DC and 12/24 volt AC/DC operation. Options include Key Stop feature that allows key to be removed only if unit is armed and factory installed cylinder housing for 7-pin IC cylinders.. Requires mortise cylinder with standard Yale cam (sold separate)



SIF-HD - Hex Key Dogging Slide-In Filler Kit includes dogging key with over-molded ergonomic grip



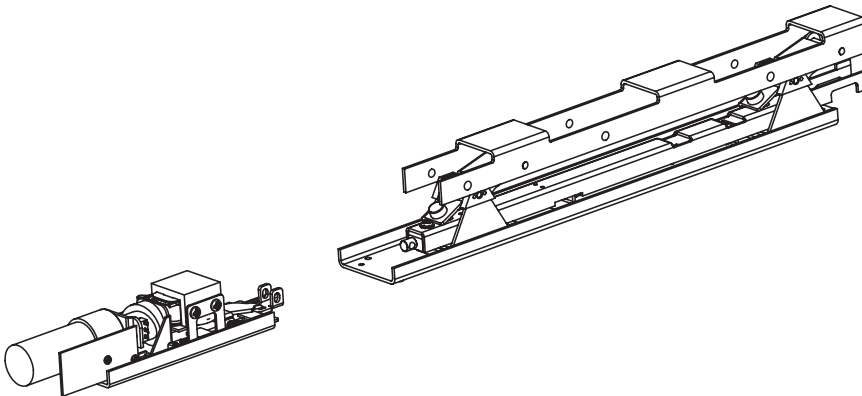
SIF-CD - Cylinder Dogging Slide-In Filler Kit requires mortise cylinder with standard Yale cam (sold separate). Optional factory installed cylinder housing for 7-pin IC cylinders.



SIF-LD - Less Dogging Slide-In Filler Kit's smooth plate eliminates dogging feature. Mandatory for all fire rated models.

ER Retrofit Kit

Converts any Advantex 10, 20, 21, 30, 40, 50 and 51 Series exit device from a simple mechanical device to the ER Electric Latch Retraction Device. The retrofit kit consists of the pushpad assembly, the ER module assembly, required hardware and complete instruction for conversions in the field. Specify 36" or 48". Requires power supply, sold separate. Call factory for more information.



Where Trust is Built™
DETEx®
Life Safety and Security Door Hardware

Detex Corporation
302 Detex Drive
New Braunfels, Texas 78130-3045 USA
PH. (830) 629-2900
(800) 729-3839
FAX (830) 620-6711
(800) 653-3839
<http://www.detex.com>
USA Sales:
marketing@detex.com
International Sales:
export@detex.com



Accessories

Dummy Exit Devices

The Advantex Series of non-locking or dummy exit devices are designed for use on all types of doors where locking is not required. Utilizing the same extruded aluminum base-plate and stainless steel wraps, these devices are able to complete your specification where non-locking interior doors are required.



00/05 Standard Dummy Device with two end-caps

The standard 00 device consists of no moving parts. With two standard Advantex end-caps, this inactive device is easy to install and is available in all finishes. The 05 device is the same but with an extended base-plate for narrow stile doors.



01/04 Standard Dummy Device with head cover and end-cap

The 01 for wide stile and 04 for narrow stile devices consists of a moving pushpad but no latch bolt. Provides the look of the standard 10 exit device for wide stile doors when matching devices in a grouping is important. The pushpad can be equipped with an EX or EXW switch for remote monitoring purposes.

Where Trust is Built™
DETEX®
Life Safety and Security Door Hardware

Detex Corporation
302 Detex Drive
New Braunfels, Texas 78130-3045 USA
PH. (830) 629-2900
(800) 729-3839
FAX (830) 620-6711
(800) 653-3839
<http://www.detex.com>
USA Sales:
marketing@detex.com
International Sales:
export@detex.com

Technical Information Contents

Cylinder Requirements

Mortise Cylinder Lengths

Cylinder Collars

Fasteners

Security Screws

Sex Bolts

10 Series Rim Mounting Plate Retrofit Chart

Compatibility With Access Control Entry Trims

Installation

Handing

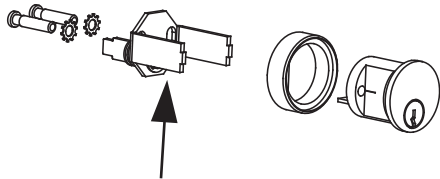
Minimum Door Widths Chart

Cylinder Requirements

Product	Rim Cylinder	Mortise Cylinder All Use Standard (Yale) Cam
Cylinder Dogging		X
Electrified Options EA, EI, EM		X
All 03 Function Trims	X	
All 08 & 09 Function Trims		X

03 Function Detail

All Advantex 03 Function outside trims are supplied with a self-adjusting tailpiece that correctly fits into the cam on the mounting plate.



101454-1 (std.) Tailpiece fits doors 1-3/4" to 2-1/4"

03 Function For Thicker Doors

- 101454-2 Tailpiece fits doors 2-1/2" to 3-1/4"
- 101454-3 Tailpiece fits doors 3-1/2" to 4"

Rim cylinder tailpieces are cut to fit into the tailpiece making the cut less critical.

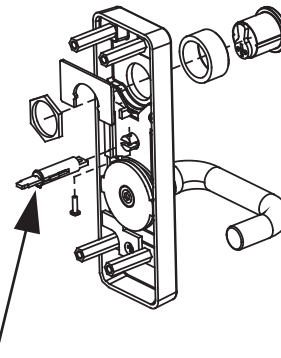
Mortise Cylinder Length

The cylinder assembly in the slide-in filler used for both the cylinder dogging and electrified options are supplied with shims to accommodate cylinder lengths from 7/8 to 1-1/4

Mortise cylinder



08 & 09 Function Detail



100772 (std.) 1-1/2" Shaft Extender

08 & 09 Function For Thicker Doors

- 100772-1 4" Shaft Extender
- 100772-2 3-1/2" Shaft Extender

Lever trims come with the adjustable tailpiece which is attached to the escutcheon.

Cylinder Collars

See Accessories for Cylinder Collar lengths.

Fasteners

Door manufacturer should be consulted for proper mounting fasteners. #14 x 1-1/4 PPH sheet metal screws and 1/4-20x 1" PHP machine screws are furnished standard on all devices and strikes. Fasteners of proper length for door thickness are furnished with devices where trims are through bolted. C and CN Pull trims are furnished with 1/4-20 through bolt for attaching bottom of pull handle.

Security Screws

For added security, pin head screws are available in two different kits.

SSK1 Security Screw Kit for Rim Devices Contains:

- 2 MS 10/32, FH, Undercut
- 4 MS 6/32 FH
- 2 MS 1/4-20 BH
- 2 SMS #14 x 1" BH Type AB
- 4 Tamper Bits required for above

SSK2 Security Screw Kit for Surface Vertical Rod Devices Contains:

- 6 MS 6-32 x 1/4" FH Undercut
- 2 MS 8-32 FH Undercut
- 2 MS 10-32 FH, Undercut
- 2 MS 1/4-20 BH
- 2 MS #14 x 1" BH Type AB
- 4 Tamper Bits required for above

Sex Bolts

If sex bolts are required, see chart below for quantity required for each device.

SN1 kit contains 2 each 1/4-20 bolts. Specify finish.

Function or Trim	Rim Devices		Surface Vertical Rod Devices		Surface Vertical Rod Top Rod Only Devices	
	10 Series	40 Series	20 Series	50 Series	21 Series	51 Series
01	6	4	10	8	6	4
02, 03	2	2	6	6	4	4
08, 09 & 14	2	2	6	6	4	4

Mounting Plates

Device	Mounting Plate	Trim Function
10 Series	BP1/BP3/BP5	01, 02, 08, 09, 14
	BP7	03
20/21 Series	BP1	01, 02, 08, 09, 14
	BP7	03
30 Series	BP9	01, 02, 03, 08, 09, 14
40 Series (V40)	BP2	01, 02, 08, 09, 14
	BP8	03
50/51 Series (V50/V51)	BP2	01, 02, 08, 09, 14
	BP8	03
60/61 Series	BP10	08, 09
	BP12	02, 03
62/63 Series	BP10	01, 08, 09, 14
	BP12	02, 03
70/71 Series	BP11	01, 08, 09, 14
	BP13	02, 03
80/81 Series	BP11	01, 08, 09, 14
	BP13	02, 03
82/83 Series	BP11	01, 08, 09, 14
	BP13	02, 03



Technical Information

10 Series

Advantex Rim Mounting Plate Retrofit Chart

Detex	Von Duprin	Sargent	Precision	Yale	Corbin Russwin
BP-1*	98/99				
BP-3		8800 (See Note)	11/2100 (See Note)		
BP-5				7100	ED5200

NOTE: BACKPLATE HOLE ALIGNMENT MAY BE OFF BY UP TO 1/16"

Advantex mounting plates BP-1, BP-3 and BP-5 are for use with 10 Series Rim Device.

Advantex mounting plates offer the ability of retrofitting the rim device using the existing door preps of the manufacturers listed above.

*Shipped standard with 10 Series Device

Hardware Templates

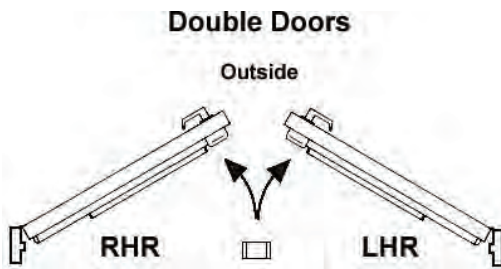
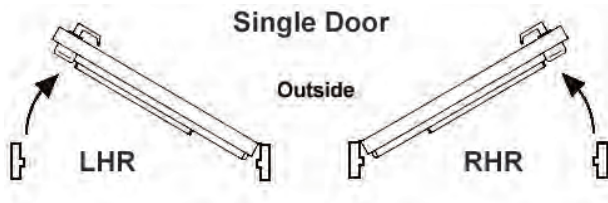
See Detex Template Policy in General Information

Compatibility with Access Control Entry Trims

Advantex will operate with the following entry trims:

- Marks iQue series
- Omni-Lock
- Onity
- Kaba Access Controls
- Trilogy

Handing



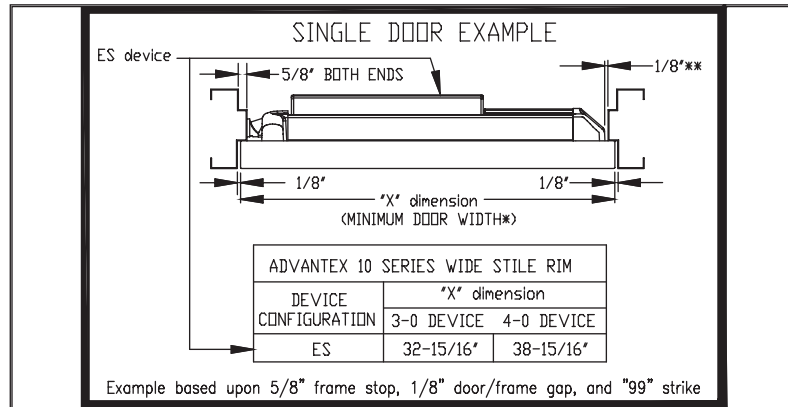
Installation

The patented Advantex mounting plate and strike locator system allows:

- Quick and easy installation by one person
- No paper templates
- Accurate backset every time
- Square up to door and frame made easy



MINIMUM DOOR WIDTHS



**DOOR SHOWN WITH 1/8" CLEARANCE FOR END CAP, SOME WEATHERSTRIP REQUIRES ADDITIONAL CLEARANCE. ADDITIONAL CLEARANCE WILL REQUIRE WIDER DOORS.

Charts are based upon 5/8" frame stop, 1/8" door/frame gap, and standard device strike (see notes)

ADVANTEX 10 SERIES - WIDE STILE RIM (99 STRIKE)		
DEVICE CONFIGURATION	"X" dimension	
	3-0 DEVICE	4-0 DEVICE
EA	33"	39"
EI	33"	39"
EM	34-3/4"	40-3/4"
EE	34-3/4"	40-34"
EExER	34-3/4"	40-3/4"
ED	34-1/8"	40-1/8"
ER	34-3/4"	40-3/4"
ES	33"	39"
EX	29"	35"
CD	29"	35"
HD	29"	35"
LD	28-3/8"	34-3/8"

- 1) For single door frames with no stop, subtract 1-1/4 from minimum door width
- 2) For Mullion application add 3/8" to each width
- 3) Standard strike for 10 Series is 99 Strike



Technical Information

MINIMUM DOOR WIDTHS CONT'D

ADVANTEK 40 SERIES -NARROW STILE RIM (98 STRIKE w/o STOPS)		
DEVICE CONFIGURATION	"X" dimension	
	3-0 DEVICE	4-0 DEVICE
EA	31-7/8"	37-7/8"
EI	31-7/8"	37-7/8"
EM	34"	40"
EE	34"	40"
ED	33-3/8"	39-3/8"
ER	34	40
ES	31-7/8"	37-7/8"
EX	27-7/8"	33-7/8"
CD	27-7/8"	33-7/8"
HD	27-7/8"	33-7/8"
LD	27-1/4"	33-1/4"

- 1) For single door frames with 5/8" stops, add 1-1/4" from minimum door width
- 2) For Mullion application add 3/8" to each door width
- 3) Standard strike for 40 Series is 98 strike with 5/8 stop, backset is 2-1/4"
- 4) Standard strike for 40 Series is 98 strike with no stop, backset is 1-1/8"

ADVANTEK 20/21 SERIES - WIDE STILE SVR, BACKSET IS 2-3/4"		
DEVICE CONFIGURATION	"X" dimension	
	3-0 DEVICE	4-0 DEVICE
EA	33"	39"
EI	33"	39"
EE	34-3/4"	40-3/4"
ED	34-1/8"	40-1/8"
ER	34-3/4"	40-3/4"
ES	33"	39"
EX	29"	35"
CD	29"	35"
HD	29"	35"
LD	28-3/8"	34-3/8"

- 1) For double door frames without stops, subtract 5/8" from minimum door width
- 2) For backset = 2", subtract 3/4" from minimum door width



Technical Information

MINIMUM DOOR WIDTHS CONT'D

ADVANTEK 50/51 SERIES - NARROW STILE SVR w/o STOPS, BACKSET IS 1-1/8"		
DEVICE CONFIGURATION	"X" dimension	
	3-0 DEVICE	4-0 DEVICE
EA	31-3/8"	37-3/8"
EI	31-3/8"	37-3/8"
EE	33-1/8"	39-1/8"
ED	32-1/2"	38-1/2"
ER	33-1/8"	39-1/8"
ES	31-3/8"	37-3/8"
EX	27-3/8"	33-3/8"
CD	27-3/8"	33-3/8"
HD	27-3/8"	33-3/8"
LD	26-3/4"	32-3/4"

1) For double door frames without stops, add 5/8" to minimum door width

ADVANTEK 30 SERIES - WIDE STILE MORTISE		
DEVICE CONFIGURATION	"X" dimension	
	3-0 DEVICE	4-0 DEVICE
EA	33"	39"
EI	33"	39"
EE	34-3/4"	40-3/4"
ED	34-1/8"	40-1/8"
ER	34-3/4"	40-3/4"
ES	33"	39"
EX	29"	35"
CD	29"	35"
HD	29"	35"
LD	28-3/8"	34-3/8"

1) For double door frames without stops, subtract 5/8" from minimum door width

Life Safety and Security Door Hardware



VALUE SERIES[®]

Value Series® Performance Specification

General

All exit devices shall be Value Series® V40 series rim devices or V50/V51 series surface vertical rod devices as manufactured by Detex Corporation, New Braunfels, TX, USA. Each exit device shall be equipped and installed with a patented mounting plate and strike locator for an accurate installation. All devices shall be available with outside trim. All devices shall be non-handed and field sizeable.

Code Compliance

The exit devices shall be listed by Underwriters Laboratories and bear the UL label for panic hardware in compliance with NFPA 80 and 101. Where required, all devices shall have a UL label for Fire Exit Devices listed for use on fire rated doors up to and including A label, three hours. UL labeled Fire Exit Devices shall be listed for door opening sizes up to 4'0" x 10'0" on single doors and 8'0" x 8'0" on door pairs with an F90KR Keyed Removable Mullion.

Where required, all rim devices shall have a Miami-Dade County, Florida label indicating hurricane listing.

All exit devices shall be certified to meet ANSI/BHMA requirements, and conform to ADA and California Title 19 requirements.

Design

All exit devices shall be of impact resistant ABS and a structurally engineered extruded aluminum body. The end cap shall be designed with a tapered angle of 38 degrees to deflect damage away from the device. All exit devices shall be designed with base plate-mounted pushpads and internally ribbed aluminum extrusion rails to dissipate excessive force to the pushpad and prevent damage to the operating mechanisms.

All latch bolts shall be stainless steel material with a deadlocking feature for increased security.

Hex key dogging shall be a standard feature for all non-fire rated exit devices. Optional features include cylinder dogging or less dogging. All dogging will be accomplished with no more than a one-eighth turn of the hex key or cylinder key to minimize the risk of repetitive motion injuries.

The through-bolted modular design of all exit devices shall accommodate a variety of different trims and functions without altering the exit device. It shall not be necessary to remove the device from the door for keyed changes or standard maintenance.

Options

Optional slide in filler plates shall be available for all exit devices to accommodate optional dogging types, alarm and other electrified features.

Warranty

Detex Value Series® panic hardware, when properly installed, used and maintained, is warranted to be free of defects in material and workmanship. We will, for a period of ten (10) years from the date of purchase, repair or replace any part which, upon our examination, proves to be defective under normal use. Electrical components, when properly installed, used and maintained, are warranted to be free of defects in material and workmanship for a period of three (3) year. This warranty will be honored only upon presentation of proof that the product covered thereby was purchased directly from an authorized Detex distributor. We shall not be liable for any direct, incidental or consequential loss or damage arising out of the failure of this panic hardware to operate.

Applications & Listings

Single Door

Device Type	Application	Maximum Opening	UL & ULC Fire Rating					
			(A) 3 HOUR	(B) 1-1/2 HOUR	(C) 3/4 HOUR	(D) 1-1/2 HOUR	(E) 3/4 HOUR	20 MIN.
Rim Series FV40	Surface applied: Single point latching	4' x 10'	•	•	•	•	•	•
Surface Vertical Rod Series FV50	Surface applied: Two point latching	4' x 10'	•	•	•	•	•	•
Surface Vertical Rod (Top Rod Only) Series FV51	Surface applied: Single point latching	4' x 10'	•	•	•	•	•	•

Pairs of Doors

Device Type	Application	Maximum Opening	UL & ULC Fire Rating					
			(A) 3 HOUR	(B) 1-1/2 HOUR	(C) 3/4 HOUR	(D) 1-1/2 HOUR	(E) 3/4 HOUR	20 MIN.
Rim x Mullion FV40 x FV40 x F90KR	Two independent active doors with removable mullion	8' x 8'	•	•	•	•	•	•
Surface Vertical Rod FV50	Two independent active doors with two point locking	8' x 10'	•	•	•	•	•	•
Surface Vertical Rod (Top Rod Only) FV51	Two independent active doors with single point locking	8' x 10'	•	•	•	•	•	•

When used on wood or composite doors, certain limitations may apply. It is advised that the door manufacturer be consulted for its fire-rating capabilities and requirements.



ADA Compliant



Exceeds life safety and all building code requirements



UL listed panic and fire exit hardware. Fire rated for 3 hours



All Value Series® devices are certified ANSI/BHMA A-156.3-2001 Grade 1

Meets requirement of EC Standard BS EN 1125: 1997/A1:2001



Miami-Dade County, Florida } V40 Only
NOA 10-0303.02 Exp. 04/07/15

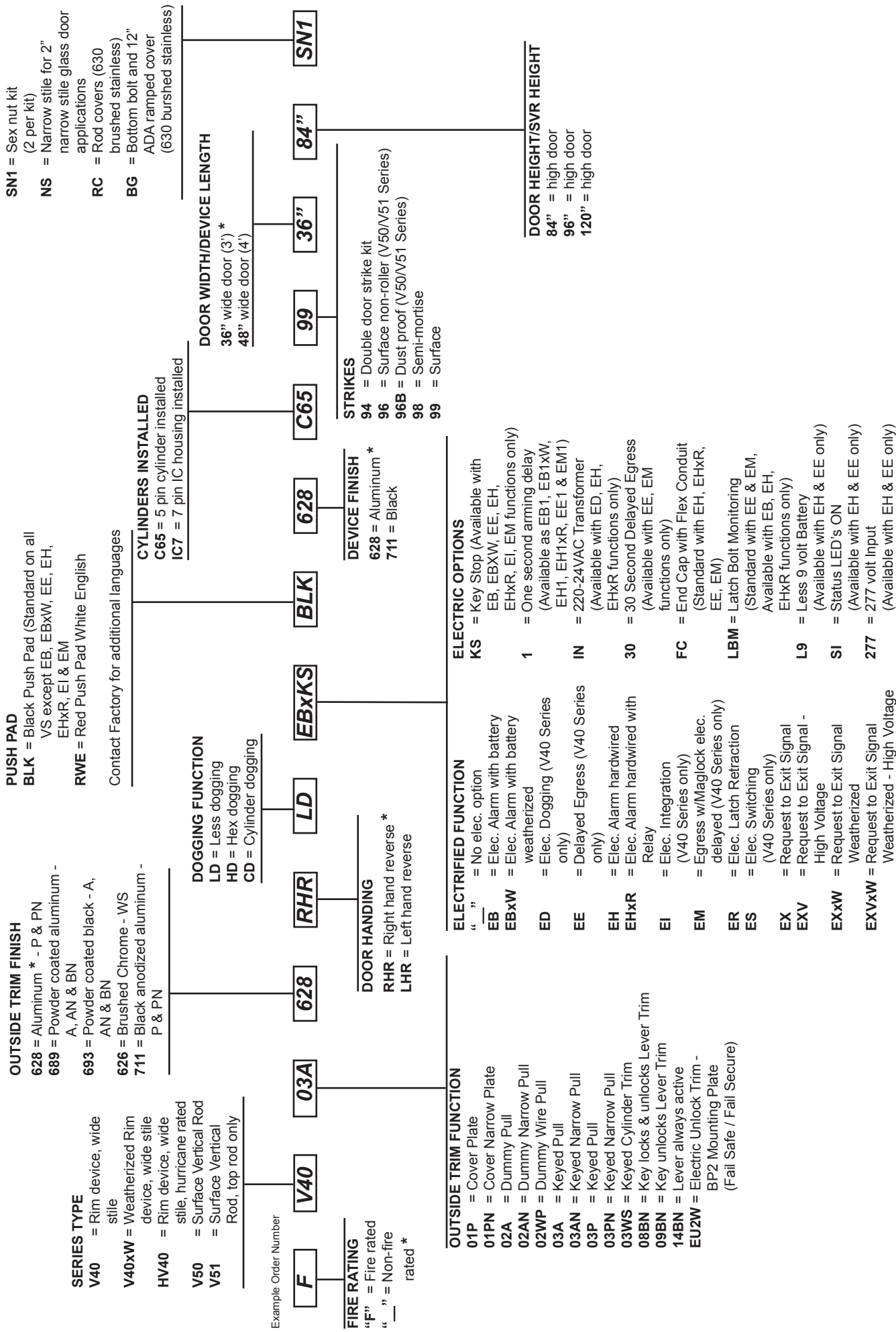
State of Florida Approval - FL9052

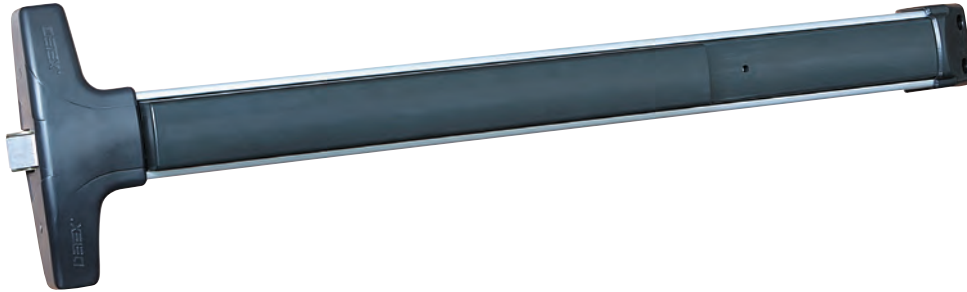


Some Models are UL Canada listed panic and fire exit hardware. Fire rated for 3 hours

Contact Factory







Exit Device Types

V40 Series - Rim Exit Device

V40xNS - Narrow Stile Rim Exit Device

V40xW Series - Weatherized Rim Exit Device

V50 Series - Surface Vertical Rod Device

V50xNS Series - Narrow Stile Surface Vertical Rod Device

V50xW Series - Weatherized Surface Vertical Road Device

V51 Series - Surface Vertical Rod Device - Top Rod Only

V51xW Series - Weatherized Surface Vertical Rod - Top Rod Only

VALUE SERIES®

V40

Rim Exit Device

The V40 Series **rim exit device** is secure and durable **panic and fire exit hardware** at an economical price. It is designed for use on all types of single and double doors with mullions. The patented mounting plate and strike locator system ensures the easiest and most accurate installation of panic hardware available.



V40

(628 Finish)



V40

(711 Finish)

**ANSI 156.3 - 2008
Grade 1
Type 1**

Standard V40 Rim Device accommodates wide stile doors, 3" or greater stile, and flush doors. For Narrow Stile doors, 2" to 2 1/2" stiles, specify V40 NS model which provides a 2" longer device and a lower profile strike.

Benefits

- Priced to be the best value for durable and attractive loss prevention panic hardware
- Minimal door prep saves time and money
- Outside trims are easily changed or rekeyed without removing device from door
- Fast and easy installation
- Fits almost any door in any décor

Features

- Patented mounting plate and strike locator
- 1/8 turn hex key dogging
- Withstands over 1400 pounds of static pull force for greater security
- Covers a 161 door prep
- Heavy-duty angled end cap
- Modular design accepts a variety of outside trims and functions
- Stainless steel, 3/4" deadlocking Pullman-type latch bolt
- Heavy-duty ribbed aluminum rail extrusion
- Standard and narrow stile pull trims available
- Non-handed
- High impact ABS and anodized surfaces

Mechanical Options

- CD - Cylinder Dogging
- F - 3-Hour Fire Rated
- 98 - Semi Mortise Strike
- HD - Hex Dogging (Std.)
- H - Hurricane Rated
- Available with 628 Base Rail Extrusion (Std.)
- LD - Less Dogging
- For Narrow Stile that fits 2" Narrow stile glass door see V40xNS
- Available with 711 Base Rail Extrusion
- 36 - Fits 36" Door Width (Std.)
- 99 - Surface Strike (Std.)

Electrical Options

- Exit Alarm with 9 volt Battery (EB)
- Hardwired 24VAC/DC Exit Alarm with Remote Signal (EHxR)
- Electric Switching (ES)
- Weatherized Exit Alarm (EBxW)
- Electric Integration (EI)
- Request to Exit (EX)
- Electric Dogging (ED)
- Delayed Egress with Magnetic Lock (EM)
- Weatherized Request to Exit (EXxW)
- Delayed Egress (EE)
- Electric Latch Retraction (ER)

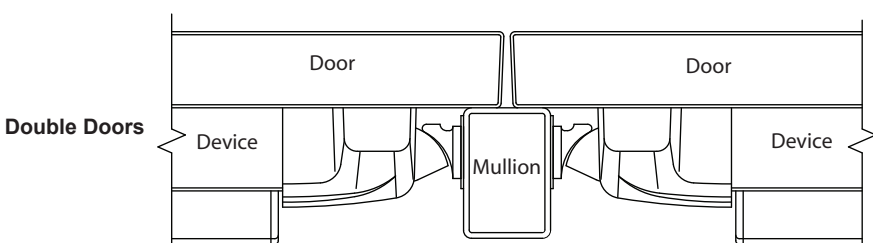
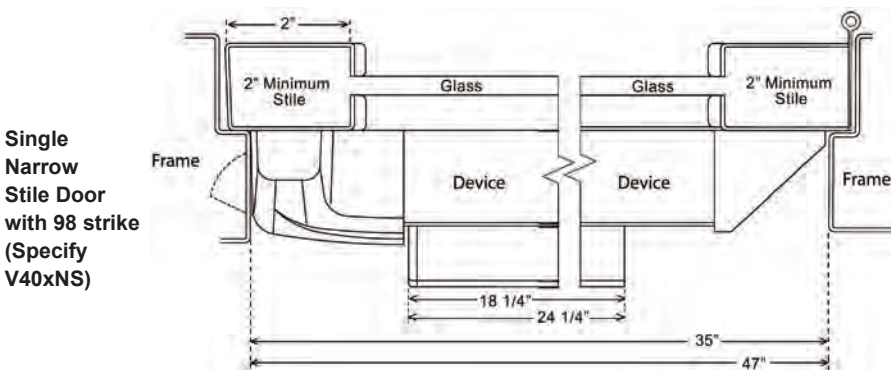
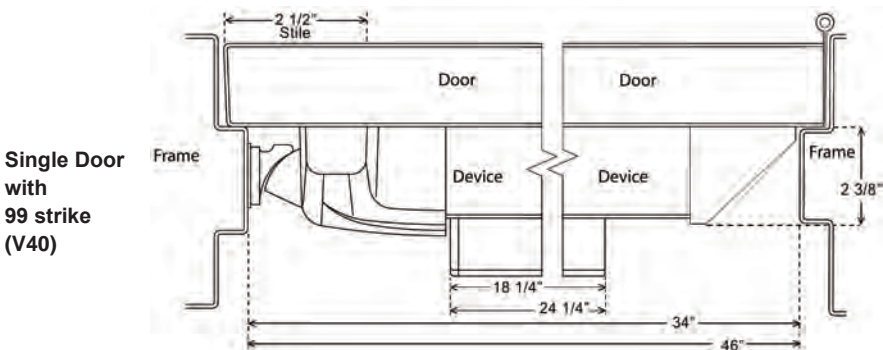
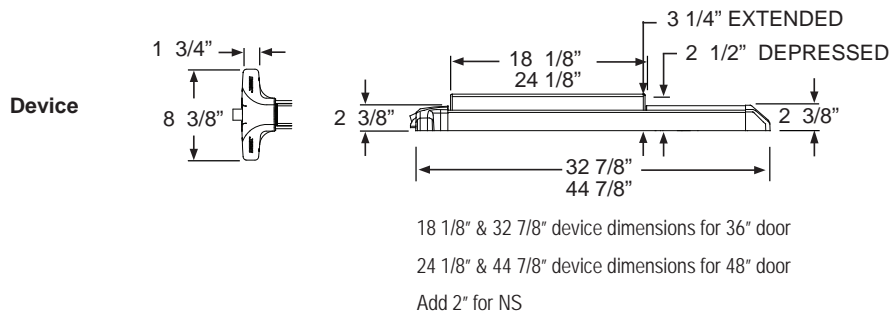
Accessories

- SN1 - Sex Nut Fasteners
- GB2 - Glass Bead Kit
- NSK- Narrow Kit - for 2" narrow stile glass door applications that must be added in the field
- Outside Trim (see Value Series Trim Options)
- Optional Sex Nuts or Security Torx Screws available

Technical Information

- Door Types - Wood, Hollow Metal, Fiberglass or Aluminum
- Door Thickness - Fits standard 1-3/4" - 2-1/4"
- Door Stile - Fits 2-1/2" stile doors with 99 surface strike (Std.)
- Door Stile - Fits 2" narrow stile doors - specify NS
- Machine and Self-Drilling Screws (Std.)

Dimensions



Listings and Approvals

- UL Listed Panic Hardware
- UL Listed Fire Exit Hardware for 3 hours, maximum
- 4'x10' single doors and pairs of 4'x8' with F90KR keyed removable Mullion
- Meets ADA requirements
- UBC 97, Standard 7-2 and UL10C for positive pressure
- ANSI/BHMA certified A156.3
- Meets NFPA 80 & 101 for Life Safety
- Miami-Dade County, Florida NOA 12-0209.11 EXP. 04/07/15
- State of Florida Approval FL9052
- California State Fire Marshall - 4140-0127:105 and 3725-0127:108

Detex Limited Warranty

10 Year Mechanical/3 Year Electrical Limited Manufacturer's Warranty

Where Trust is Built™
DETEX®
Life Safety, Security and Security Assurance

Detex Corporation
 302 Detex Drive
 New Braunfels, Texas 78130-3045 USA
 PH. (830) 629-2900
 (800) 729-3839
 FAX (830) 620-6711
 (800) 653-3839
<http://www.detex.com>
 USA Sales:
marketing@detex.com
 International Sales:
export@detex.com

VALUE SERIES®

V40xNS SERIES

Narrow Stile Rim Exit Device

The V40xNS Series narrow stile **rim exit device** is secure and durable **panic and fire exit hardware** at an economical price. It is designed for use on narrow stile single and double doors with mullions. The patented mounting plate and strike locator system ensures the easiest and most accurate installation of panic hardware available. Extended length enables V40xNS to span stiles on 2" narrow stile doors.



V40xNS
(628 Finish, Standard)



V40xNSx711
(711 Finish)

ANSI 156.3 - 2008
Grade 1
Type 4

V40xNS Rim Exit Device accommodates narrow stile doors, 2" to 3-1/2" stile width.

Benefits

- Priced to be the best value for durable and attractive panic hardware
- Minimal door prep saves time and money
- Outside trims are easily changed or rekeyed without removing device from door
- Fast and easy installation saves time and money
- Fits almost any door in any décor

Features

- Patented mounting plate and strike locator
- Covers a 161 door prep
- Stainless steel, 3/4" deadlocking Pullman-type latch bolt
- Non-handed
- Field sizeable
- 1/8 turn hex key dogging
- Angled end cap
- Heavy-duty ribbed aluminum rail extrusion
- High impact ABS and anodized surfaces
- Withstands over 1400 pounds of static pull force
- Modular design accepts a variety of outside trims and functions
- Standard and narrow stile pull trims available

Mechanical Options

- CD - Cylinder Dogging
- HD - Hex Dogging (Std.)
- LD - Less Dogging
- 36 - Fits 36" Door Width (Std.)
- 48 - Fits 48" Door Width
- F - 3-Hour Fire Rated
- H - Hurricane Rated
- 98 - Semi Mortise Strike (Std.)
- Available with 628 Base Rail Extrusion (Std.)
- Available with 711 Base Rail Extrusion

Electrical Options

- Exit Alarm with 9 volt Battery (EB)
- Weatherized Exit Alarm (EBxW)
- Electric Dogging (ED)
- Delayed Egress (EE)
- Exit Alarm Hardwired 24VDC (EH)
- Hardwired 24VAC/DC Exit Alarm with Remote Signal (EHxR)
- Electric Integration (EI)
- Delayed Egress with Magnetic Lock (EM)
- Electric Latch Retraction (ER)
- Electric Switching (ES)
- Request to Exit (EX)
- Weatherized Request to Exit (EXxW)

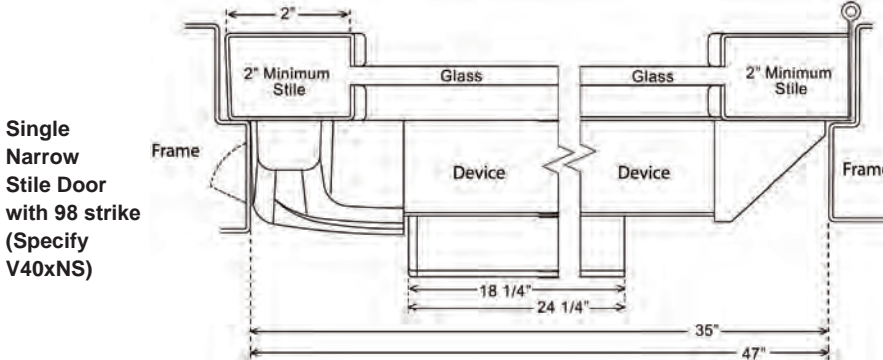
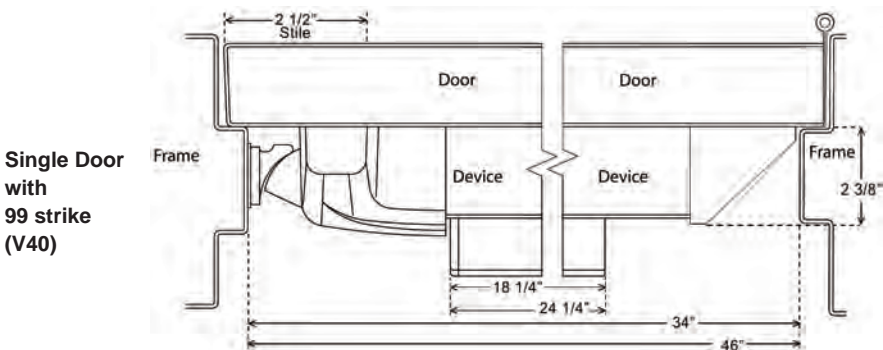
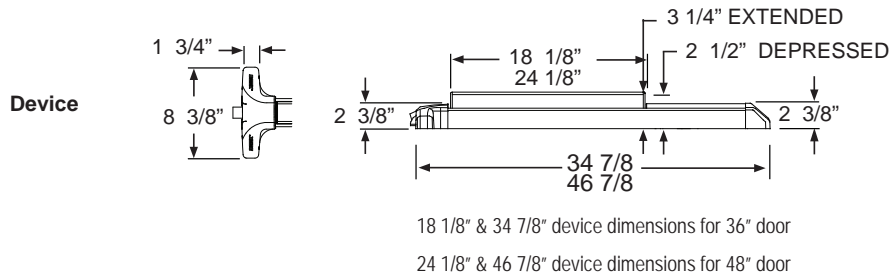
Accessories

- SN1 - Sex Nut Fasteners
- GB2 - Glass Bead Kit
- Outside Trim (see Value Series Trim Options)
- Optional Sex Nuts or Security Torx Screws available

Technical Information

- Door Types - Wood, Hollow Metal, Fiberglass or Aluminum
- Door Thickness - Fits standard 1-3/4" - 2-1/4"
- Door Stile - Fits 2-1/2" stile doors with 99 surface strike (Std.)
- Door Stile - Fits 2" narrow stile doors - specify NS
- Machine and Self-Drilling Screws (Std.)

Dimensions



For Pairs of Doors with Stiles 2 1/2" and wider, use V40xNS with 90KR Mullion.
For Pairs of Doors with Stiles 2" wide, use store front mullion by others.

Listings and Approvals

- UL Listed Panic Hardware
- UL Listed Fire Exit Hardware for 3 hours, maximum 4'x10' single doors and pairs of 4'x8' with F90KR keyed removable Mullion
- Meets ADA requirements
- UBC 97, Standard 7-2 and UL10C for positive pressure
- ANSI/BHMA certified A156.3
- Meets NFPA 80 & 101 for Life Safety
- Miami-Dade County, Florida NOA 12-0209.11 EXP. 04/07/15
- State of Florida Approval FL9052
- California State Fire Marshall - 4140-0127:105 and 3725-0127:108

Detex Limited Warranty

10 Year Mechanical/3 Year Electrical Limited Manufacturer's Warranty

Where Trust is Built™
DETEx[®]
Life Safety, Security and Security Assurance

Detex Corporation
302 Detex Drive
New Braunfels, Texas 78130-3045 USA
PH. (830) 629-2900
(800) 729-3839
FAX (830) 620-6711
(800) 653-3839
<http://www.detex.com>
USA Sales:
marketing@detex.com
International Sales:
export@detex.com

VALUE SERIES®

V40 x W

Weatherized Rim Exit Device

The V40 Series **rim exit device** is secure and durable **panic and fire exit hardware** at an economical price. It is designed for use on all types of single and double doors and gates with mullions that are or may be exposed to the weather. The patented mounting plate and strike locator system ensures the easiest and most accurate installation of panic hardware available. In addition to listing as UL panic and fire exit hardware device, this device conforms to UL1034-34 Temperature Section 34, UL1034-54 Dust Section 54, MIL-STD 810F, Method 506.4 (driving rain test); MIL-STD 810F, Method 509.4 (salt fog test) and UBC standard 7-2 (positive pressure).



Standard V40 Rim Device accommodates wide stile doors, 3" or greater stile, and flush doors. For Narrow Stile doors, 2" to 2 1/2" stiles, specify V40 NS model which provides a 2" longer device and a lower profile strike.

Benefits

- Priced to be the best value for durable and attractive loss prevention panic hardware
- Minimal door prep saves time and money
- Outside trims are easily changed or rekeyed without removing device from door
- Fast and easy installation
- Fits almost any door in any décor

Features

- Patented mounting plate and strike locator
- 1/8 turn hex key dogging
- Withstands over 1400 pounds of static pull force for greater security
- Covers a 161 door prep
- Heavy-duty angled end cap
- Modular design accepts a variety of outside trims and functions
- Stainless steel, 3/4" deadlocking Pullman-type latch bolt
- Heavy-duty ribbed aluminum rail extrusion
- Standard and narrow stile pull trims available
- Non-handed
- High impact ABS and anodized surfaces
- Field sizeable

Mechanical Options

- CD - Cylinder Dogging
- F - 3-Hour Fire Rated
- 98 - Semi Mortise Strike
- HD - Hex Dogging (Std.)
- H - Hurricane Rated
- Available with 628 Base Rail Extrusion (Std.)
- LD - Less Dogging
- NS - Narrow stile door option
- Available with 711 Base Rail Extrusion
- 36 - Fits 36" Door Width (Std.)
- 99 - Surface Strike (Std.)
- 48 - Fits 48" Door Width

Electrical Options

- Weatherized Exit Alarm (EBxW)
- Weatherized Request to Exit High Voltage (EXVxW)
- Weatherized Request to Exit (EXxW)

Refer to Electrified Options section for more information

Where Trust is Built™
DETEX®
Life Safety and Security Door Hardware

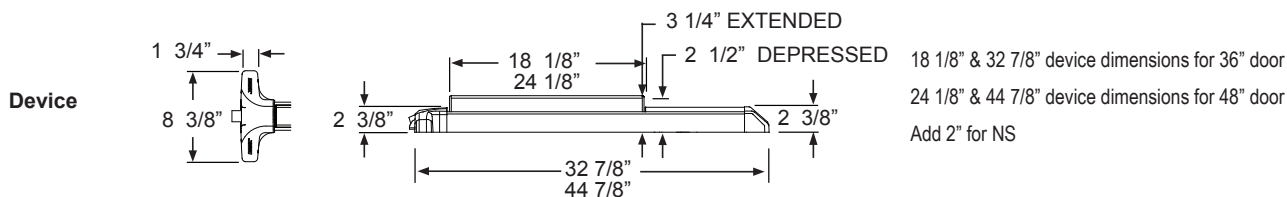
Accessories

- SN1 - Sex Nut Fasteners
- GB2 - Glass Bead Kit
- NSK- Narrow Kit - for 2" narrow stile glass door applications that must be added in the field
- GTPLV40 - Adjustable Gate Plate
- Outside Trim (see Value Series Trim Options)
- Optional Sex Nuts or Security Torx Screws available

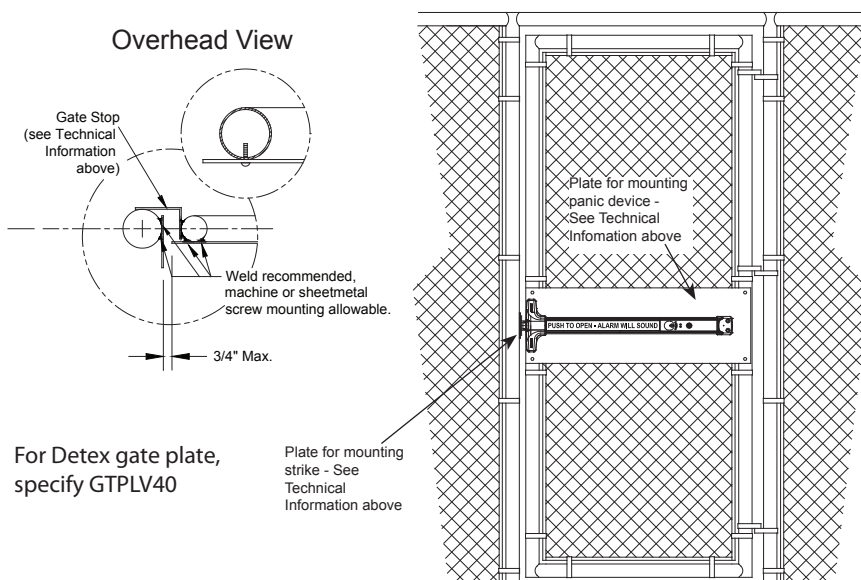
Technical Information

- Door Types - Wood, Hollow Metal, Fiberglass or Aluminum
- Door Thickness - Fits standard 1-3/4" - 2-1/4"
- Door Stile - Fits 2-1/2" stile doors with 99 surface strike (Std.)
- Door Stile - Fits 2" narrow stile doors - specify NS
- Machine and Self-Drilling Screws (Std.)
- Recommended Plate Size
Gate - 1/8" thick plate, galvanized, or painted steel or 1/4" thick aluminum plate, minimum Height - 10"
- Strike - 1/8" thick plated, galvanized, painted steel plate, angle iron, or 1/4" thick aluminum plate, minimum Height - 5"
- Stop - 1/8" thick plated, galvanized, or painted angle iron or 1/4" thick aluminum angle plate, minimum Height - 2"

Dimensions



Single Gate Riser



Detex Limited Warranty

10 Year Mechanical/3 Year Electrical Limited Manufacturer's Warranty

Listings and Approvals



UL Listed
Panic Hardware



UL Listed Fire Exit Hardware for 3 hours, maximum
4'x10' single doors and pairs of 4'x8' with F90KR key removable Mullion

UL1034 - 34 Temperature Section 34 [Temperature Range -31° F (-35° C) to 150° F (+66° C)]

UL1034 - 54 Dust Section 54



Meets ADA requirements



UBC 97, Standard 7-2 and UL10C for positive pressure



ANSI/BHMA certified A156.3



Meets NFPA 80 & 101 for Life Safety



Miami-Dade County, Florida
NOA 10-0303.02 EXP. 04/07/15
State of Florida Approval FL9052



California State Fire Marshall -
4140-0127:105 & 3725-0127:108

MIL-STD 810F (G), Method 509.4 (Salt Fog Test)

MIL-STD 810F (G), Method 506.4 (Driving Rain), Procedure 1

Where Trust is Built™
DETEX®
Life Safety and Security Door Hardware

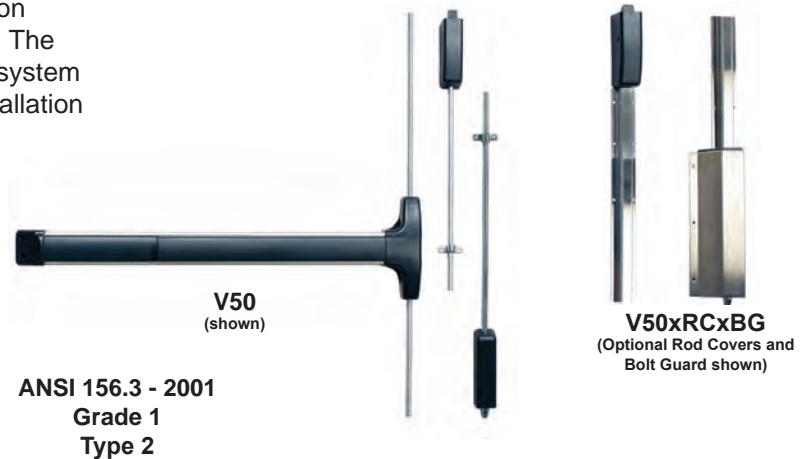
Detex Corporation
302 Detex Drive
New Braunfels, Texas 78130-3045 USA
PH. (830) 629-2900
(800) 729-3839
FAX (830) 620-6711
(800) 653-3839
<http://www.detex.com>
USA Sales:
marketing@detex.com
International Sales:
export@detex.com

VALUE SERIES®

V50/V51 SERIES

Surface Vertical Rod Device

The **V50 Series, surface vertical rod exit device** and **V51 Series, top rod exit device** are heavy-duty **panic** and **fire exit hardware** for use on all types of double doors without a mullion. The patented mounting plate and strike locator system ensures the easiest and most accurate installation in an economical panic device.



Benefits

- Priced to be the best value for durable, attractive panic hardware
- Fast and accurate installation
- Fits any door in almost any décor
- Minimal door prep saves time and money
- Outside trims are easily changed or rekeyed without removing device from door

Features

- Patented mounting plate and strike locator system replaces paper templates
- Handed, field reversible
- Impact resistant ABS and anodized surfaces
- Stainless steel 3/4" deadlocking, Pullman-type top latch bolt
- Field sizable
- Modular design accepts a variety of outside trims and functions
- Bottom drop bolt, 5/8" dia. x 5-5/8" long secures into strike plate
- 1/8 turn dogging
- Standard and narrow stile pull trims available
- Heavy-duty angled end cap
- Heavy-duty ribbed aluminum rail extrusion

Mechanical Options

- V51 - Top Rod Only
- 84 - Fits 7' Door Height (Std.)
- For Narrow Stile that fits 2" Narrow stile glass door see V50xNS/V51xNS
- F - 3-Hour Fire Rated
- 96 - Fits 8' Door Height
- 96 Surface top stike top (Std.)
- HD - Hex Dogging (Std.)
- 120 - Fits 10' Door Height
- 96B Bottom dust proof strike
- CD - Cylinder Dogging
- RC - Rod Covers (630 Brushed Stainless)
- Available with 628 base rail extrusion
- LD - Less Dogging
- BG - Bottom bolt and 12" ADA ramped cover (630 Brushed Stainless)
- Available with 711 base rail extrusion
- 36 - Fits 36" Door Widths (Std.)
- 48 - Fits 48" Door Widths

Electrical Options

- Electric Battery Alarm (EB)
 - Electric Hardwired Alarm with Remote Signal (EHxR)
 - Delayed Egress (EE)
 - Electric Hardwired Alarm (EH)
- Refer to Electrified Options section for more information

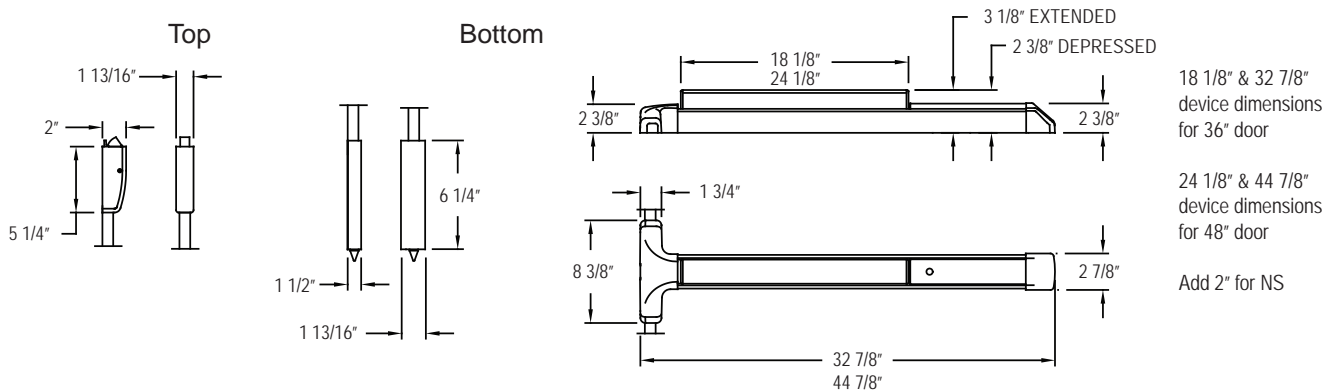
Accessories

- Outside Trim (see Value Series Trim Options)
- SN1 - Sex Nut Kit (2 per package)
- GB# - Glass Bead Kits
- NSK - Narrow Kit for 2" narrow stile glass door applications

Technical Information

- Door Stile - Fits 3-1/2" stile doors (Std.)
- Door Stile - Fits 2" narrow stile doors - specify NS
- Fasteners - Machine and Self-Drilling Screws standard

Dimensions



Listings and Approvals



UL Listed
Panic Hardware

LISTED

UL Listed Fire Exit Hardware
for 3 hours, maximum
4'x10' single doors and
8'x10' pairs of doors



LISTED



Meets ADA requirements



UBC 97, Standard 7-2 and
UL10C for positive pressure



ANSI/BHMA certified A156.3



Meets NFPA 80 & 101
for Life Safety



California Fire Marshall
4140-0127:0105

Detex Limited Warranty

10 Year Mechanical/3 year Electrical
Limited Manufacturer's Warranty



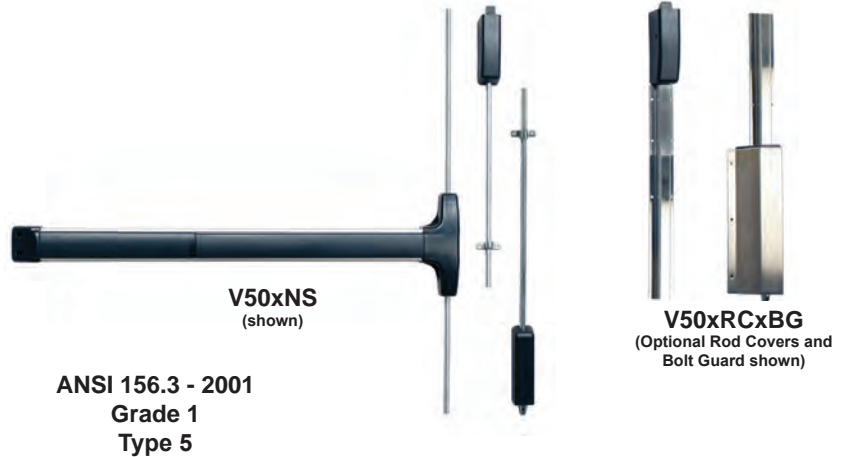
Detex Corporation
302 Detex Drive
New Braunfels, Texas 78130-3045 USA
PH. (830) 629-2900
(800) 729-3839
FAX (830) 620-6711
(800) 653-3839
<http://www.detex.com>
USA Sales:
marketing@detex.com
International Sales:
export@detex.com

VALUE SERIES®

V50xNS V51xNS

Narrow Stile Surface Vertical Rod Device

The **V50xNS Series, narrow stile surface vertical rod exit device** and **V51xNS Series, narrow stile top rod exit device** are economical **panic** and **fire exit hardware** for use on narrow stile double doors without a mullion. The patented mounting plate and strike locator system ensures the easiest and most accurate installation in an economical panic device.



Benefits

- Priced to be the best value for durable, attractive panic hardware
- Fast and accurate installation saves time and money
- Fits any door in almost any décor
- Minimal door prep saves time and money
- Outside trims are easily changed or rekeyed without removing device from door

Features

- Patented mounting plate and strike locator system replaces paper templates
- Handed, field reversible
- Impact resistant ABS and anodized surfaces
- Stainless steel 3/4" deadlocking, Pullman-type top latch bolt
- Field sizable
- Modular design accepts a variety of outside trims and functions
- Bottom drop bolt, 5/8" dia. x 5-5/8" long secures into strike plate
- 1/8 turn dogging
- Standard and narrow stile pull trims available
- Angled end cap
- Heavy-duty ribbed aluminum rail extrusion

Mechanical Options

- V51 - Top Rod Only
 - 84 - Fits 7' Door Height (Std.)
 - 96 Surface top stike top (Std.)
 - F - 3-Hour Fire Rated
 - 96 - Fits 8' Door Height
 - 96B Bottom dust proof strike
 - HD - Hex Dogging (Std.)
 - 120 - Fits 10' Door Height
 - Available with 628 base rail extrusion
 - CD - Cylinder Dogging
 - RC - Rod Covers (630 Brushed Stainless)
 - Available with 711 base rail extrusion
 - LD - Less Dogging
 - BG - Bottom bolt and 12" ADA ramped cover (630 Brushed Stainless)
- 36 - Fits 36" Door Widths (Std.)
 - 48 - Fits 48" Door Widths

Electrical Options

- Electric Battery Alarm (EB)
- Electric Hardwired Alarm (EH)
- Electric Battery Alarm - Weatherized (EBxW)
- Electric Hardwired Alarm with Remote Signal (EHxR)
- Electric Dogging (ED)
- Electric Latch Retraction (ER)
- Delayed Egress (EE)

Refer to Electrified Options section for more information

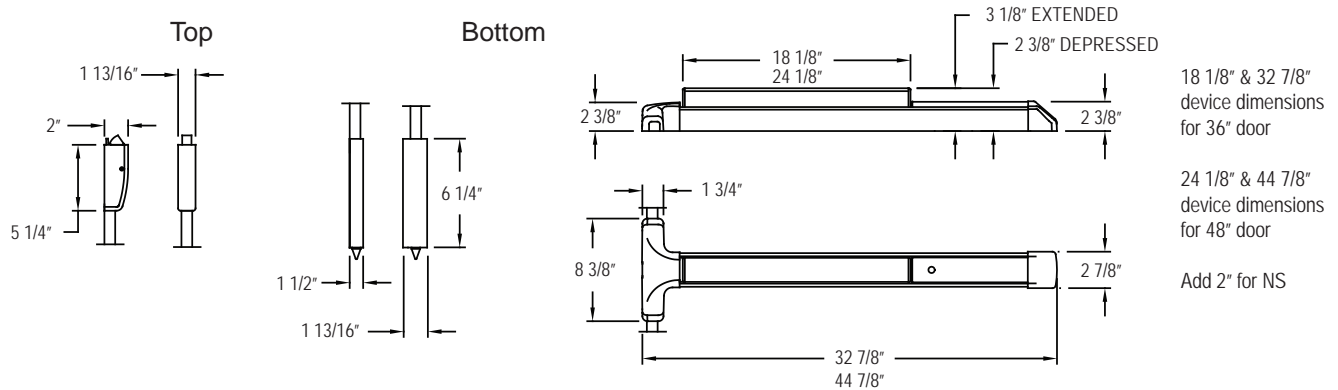
Accessories

- Outside Trim (see Value Series Trim Options)
- SN1 - Sex Nut Kit (2 per package)
- GB# - Glass Bead Kits

Technical Information

- Door Stile - Fits 3-1/2" stile doors (Std.)
- Door Stile - Fits 2" narrow stile doors - specify NS
- Fasteners - Machine and Self-Drilling Screws standard

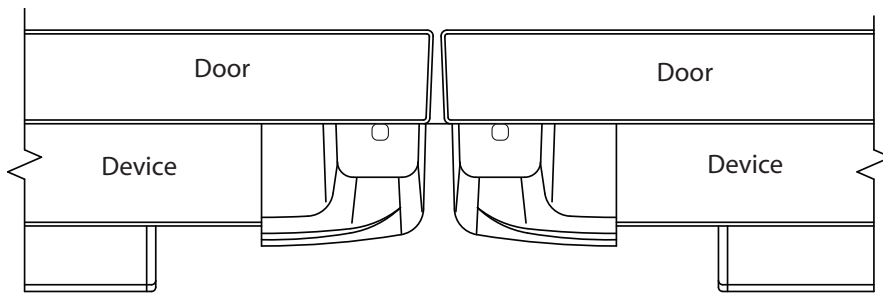
Dimensions



18 1/8" & 32 7/8"
device dimensions
for 36" door

24 1/8" & 44 7/8"
device dimensions
for 48" door

Add 2" for NS



Detex Limited Warranty
10 Year Mechanical/3 year Electrical
Limited Manufacturer's Warranty

Listings and Approvals



UL Listed
Panic Hardware



UBC 97, Standard 7-2 and
UL10C for positive pressure



UL Listed Fire Exit Hardware
for 3 hours, maximum
4'x10' single doors and
8'x10' pairs of doors



ANSI/BHMA certified A156.3



Meets NFPA 80 & 101
for Life Safety



Meets ADA requirements



California Fire Marshall
4140-0127:0105



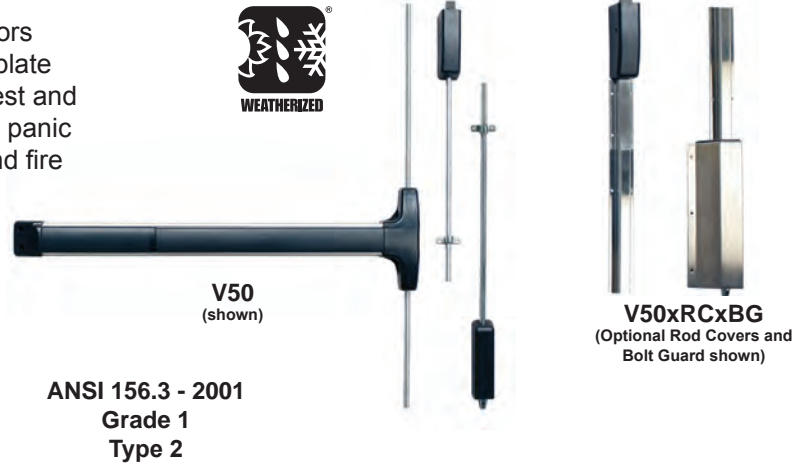
Detex Corporation
302 Detex Drive
New Braunfels, Texas 78130-3045 USA
PH. (830) 629-2900
(800) 729-3839
FAX (830) 620-6711
(800) 653-3839
<http://www.detex.com>
USA Sales:
marketing@detex.com
International Sales:
export@detex.com

VALUE SERIES®

V50xW/V51xW SERIES

Weatherized Surface Vertical Rod Device

The **Weatherized V50 Series, surface vertical rod exit device** and **V51 Series, top rod exit device** are heavy-duty **panic and fire exit hardware** for use on all types of double doors without a mullion. The patented mounting plate and strike locator system ensures the easiest and most accurate installation in an economical panic device. In addition to listing as UL panic and fire exit hardware device, this device conforms to UL1034-34 Temperature Section 34, UL1034-54 Dust Section 54, MIL-STD 810F, Method 506.4 (driving rain test); MIL-STD 810F, Method 509.4 (salt fog test) and UBC standard 7-2 (positive pressure).



Benefits

- Priced to be the best value for durable, attractive panic hardware
- Fast and accurate installation
- Fits any door in almost any décor
- Minimal door prep saves time and money
- Outside trims are easily changed or rekeyed without removing device from door

Features

- Patented mounting plate and strike locator system replaces paper templates
- Handed, field reversible
- Impact resistant ABS and anodized surfaces
- Stainless steel 3/4" deadlocking, Pullman-type top latch bolt
- Field sizable
- Modular design accepts a variety of outside trims and functions
- Bottom drop bolt, 5/8" dia. x 5-5/8" long secures into strike plate
- 1/8 turn dogging
- Standard and narrow stile pull trims available
- Heavy-duty angled end cap
- Heavy-duty ribbed aluminum rail extrusion

Mechanical Options

- V51 - Top Rod Only
- 84 - Fits 7' Door Height (Std.)
- NS - Fits 2" Narrow stile glass door
- F - 3-Hour Fire Rated
- 96 - Fits 8' Door Height
- 96 Surface top stike top (Std.)
- HD - Hex Dogging (Std.)
- 120 - Fits 10' Door Height
- 96B Bottom dust proof strike
- CD - Cylinder Dogging
- RC - Rod Covers (630 Brushed Stainless)
- Available with 628 aluminum base rail extrusion
- LD - Less Dogging
- BG - Bottom bolt and 12" ADA ramped cover (630 Brushed Stainless)
- Available with 711 black base rail extrusion
- 36 - Fits 36" Door Widths (Std.)
- 48 - Fits 48" Door Widths

Electrical Options

- EBxW - Exit Alarm 9V Battery Weatherized
 - EXVxW - Request to Exit Weatherized High Current/Voltage
 - EXxW - Request to Exit Weatherized
- Refer to Electrified Options section for more information

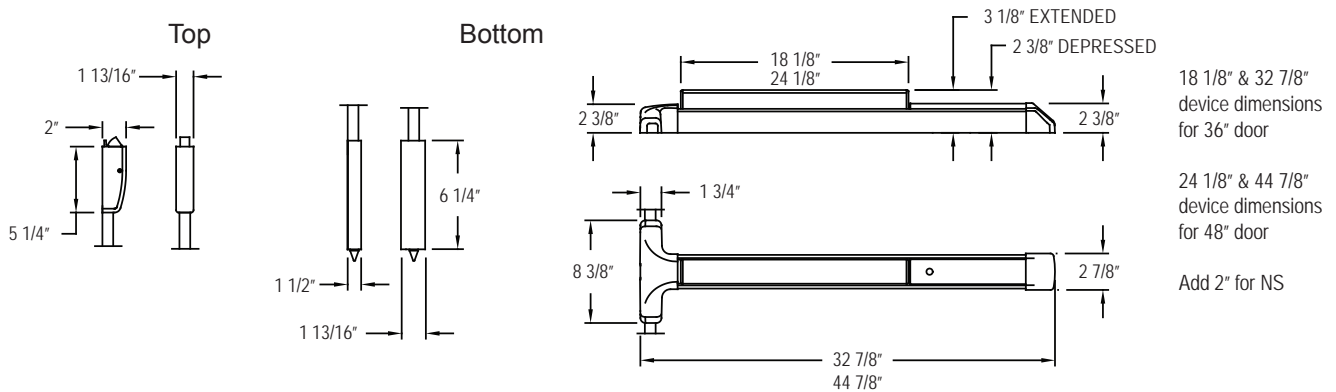
Accessories

- Outside Trim (see Value Series Trim Options)
- SN1 - Sex Nut Kit (2 per package)
- GB# - Glass Bead Kits
- NSK - Narrow Kit for 2" narrow stile glass door applications

Technical Information

- Door Stile - Fits 3-1/2" stile doors (Std.)
- Door Stile - Fits 2" narrow stile doors - specify NS
- Fasteners - Machine and Self-Drilling Screws standard

Dimensions



Listings and Approvals



UL Listed
Panic Hardware



UL Listed Fire Exit Hardware
for 3 hours, maximum
4'x10' single doors and
8'x10' pairs of doors
UL1034 - 34 Temperature
Section 34 [Temperature Range
from -31°F (-35°C) to 150°F
(+66°C)]
UL1034 - 54 Dust Section 54



Meets ADA requirements



UBC 97, Standard 7-2 and
UL10C for positive pressure



ANSI/BHMA certified A156.3



Meets NFPA 80 & 101
for Life Safety

MIL-STD 810F (G), Method 509.4
(Salt Fog Test)

MIL-STD 810F (G), Method 506.4
(Driving Rain), Procedure 1



California Fire Marshall
4140-0127:0105

Detex Limited Warranty

10 Year Mechanical/3 year Electrical
Limited Manufacturer's Warranty



Detex Corporation
302 Detex Drive
New Braunfels, Texas 78130-3045 USA
PH. (830) 629-2900
(800) 729-3839
FAX (830) 620-6711
(800) 653-3839
<http://www.detex.com>
USA Sales:
marketing@detex.com
International Sales:
export@detex.com



BHMA Functions

01 - Exit only, no trim

02 - Entrance by trim when actuating bar is locked down

03 - Entrance by trim when latch bolt is released by key. Key removable only when locked.

08 - Entrance by knob or lever. Key locks or unlocks knob or lever.

09 - Entrance by knob or lever only when released by key. Key removable only when locked.

14 - Entrance by trim when latch bolt is released by knob, lever. Always active, no cylinder.

EU2W - Electric Unlock Trim (used on doors with 4" minimum stile width, with V40/V50/V51)

VALUE SERIES®

OUTSIDE TRIM DESIGNS

Assorted outside trims provide security for all types of installations. Built to be as durable as the panic devices, these heavy-duty trims will stand up to heavy use and abuse. The versatile design of the trims, combined with the device mounting plate, makes changing functions as simple as replacing the outside trim. This can easily be done without removing the exit device from the door. These trims can be used on V40 Series Rim and V50 Series Surface Vertical Rods. Detex uses the BHMA functions/descriptions for all trims.

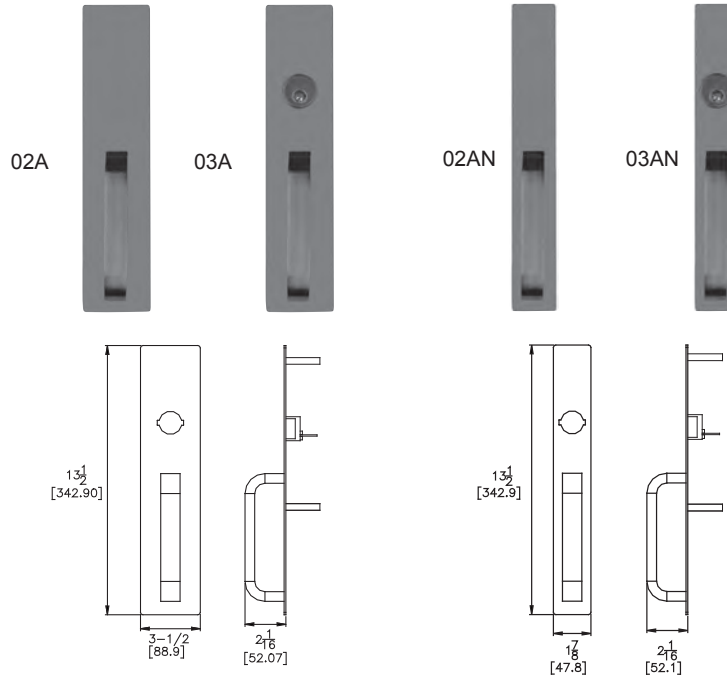
A and AN TRIM

S Pull Standard

NOTE: Available in 689 or 693 finishes

A Trim Covers 161 Prep

AN Trim Does Not Cover 161 Prep

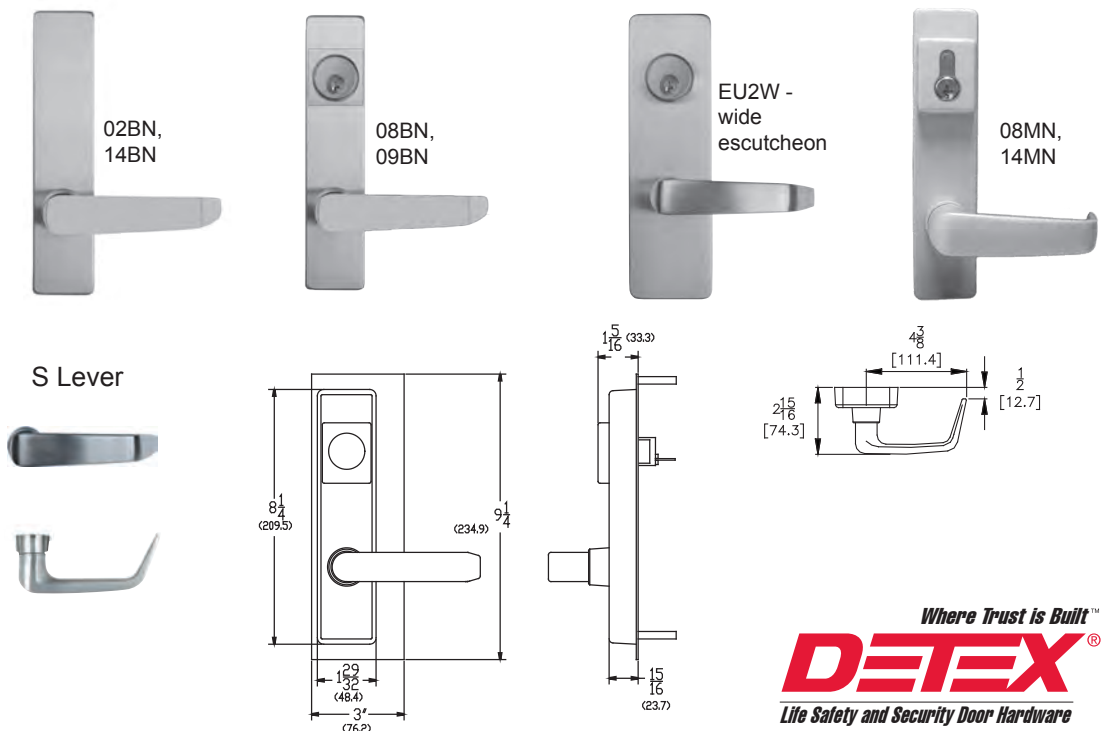


BN, EU2W and MN Trim

S Lever Standard

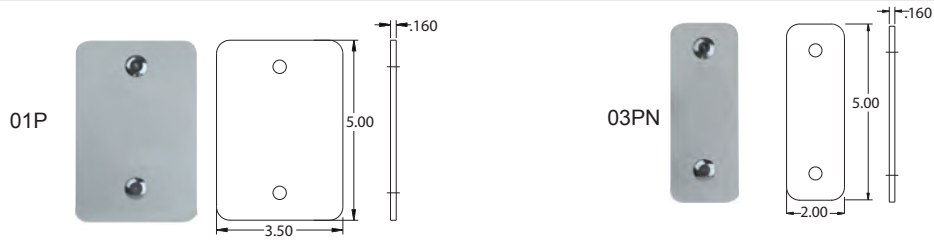
BN and MN Trim Available in 689 or 693 finishes

161 Prep Cover Plate Standard

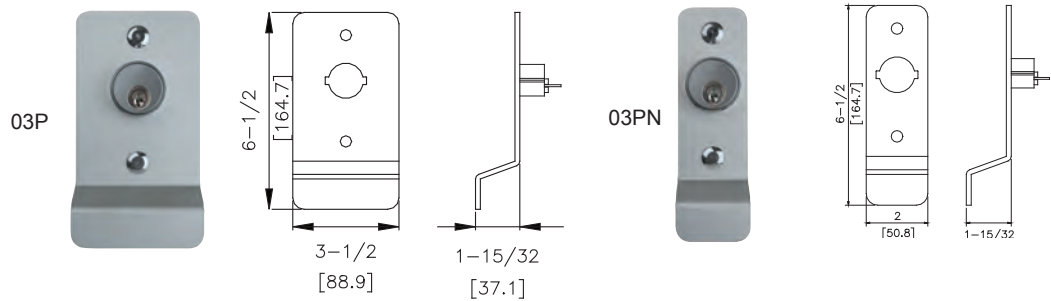


P and PN Trim

Available in
628 & 711 finishes

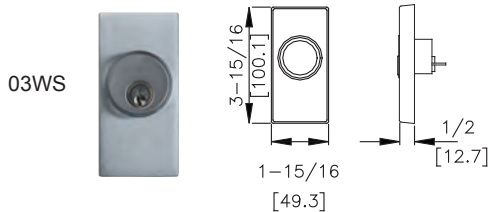


P Trim covers
161 Prep

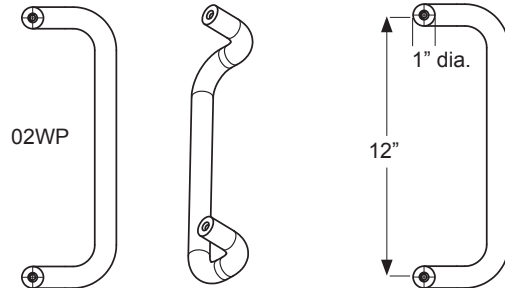


WS Trim

Available in
605, 606, 611,
612, 613, 629
and 630 finishes



WP Trim



BHMA Function/Description

- 02 - Entrance by trim when actuating bar is locked down (dummy trim)
- 03 - Entrance by trim when latch bolt is released by key. Key removable only when locked.
- 08 - Entrance by knob or lever. Key locks or unlocks knob or lever.
- 09 - Entrance by knob or lever only when released by key. Key removable only when locked.
- 14 - Entrance by trim when latch bolt is released by knob or lever. Always active, no cylinder.

Finishes

605 / US3	Polished Brass	629 / US32	Polished Stainless Steel
606 / US4	Brushed Brass		
611 / US9	Polished Bronze	630 / US32D	Brushed Stainless Steel
612 / US10	Brushed Bronze		
613 / US10B	Oil Rubbed Bronze	689	Aluminum Painted
		693	Black Painted
		711	Black Anodized

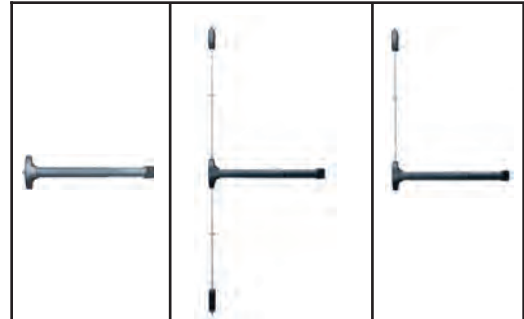
Technical Information

- A/AN Trims are Steel Stampings
- BN Trims are Zinc Castings
- P/PN Trims are Aluminum Stampings
- WS Trims are forged Brass
- Value Series trims configured for use with BP2 and BP8 (standard)
- When ordered with device, trims will match mounting plate specified

Where Trust is Built™
DETEX®
Life Safety and Security Door Hardware

Detex Corporation
302 Detex Drive
New Braunfels, Texas 78130-3045 USA
PH. (830) 629-2900
(800) 729-3839
FAX (830) 620-6711
(800) 653-3839
<http://www.detex.com>
USA Sales:
marketing@detex.com
International Sales:
export@detex.com

Outside Trim Functions



ANSI Function	ANSI Type 1	ANSI Type 2	ANSI Type 2
Exit Only	V40 FV40 HV40 FHV40	V50 FV50	V51 FV51
02	V4002 FV4002 HV4002 FHV4002	V5002 FV5002	V5102 FV5102
Dummy Trim, No Cylinder	02A 02AN	02A 02AN	02A 02AN
03	V4003 FV4003 HV4003 FHV4003	V5003 FV5003	V5103 FV5103
Entrance by trim when latch bolt is retracted by key. Key removable only when locked.	03A* 03AN* 03P* 03PN* 03WS*	03A* 03AN* 03P* 03PN* 03WS*	03A* 03AN* 03P* 03PN* 03WS*
08	V4008 FV4008 HV4008 FHV4008	V5008 FV5008	V5108 FV5108
Entrance by lever. Key locks or unlocks lever.	08BN**	08BN**	08BN**
09	V4009 FV4009 HV4009 FHV4009	V5009 FV5009	V5109 FV5109
Entrance by lever trim activated by key; locked when key removed.	09BN**	09BN**	09BN**
14	V4014 FV4014 HV4014 FHV4014	V5014 FV5014	V5114 FV5114
Entrance by Lever. Lever operable at all times.	14BN	14BN	14BN

Prefix F denotes UL Listed Fire Exit Hardware
Prefix H denotes Hurricane Listed Rim Device

* Rim cylinder required
** Mortise cylinder required