



Type-56D/75D Butterfly Valve

Standard Features (Sizes 16" - 24")

- Standard model 16" - 24" has PDCPD body with PP disc
- 403 stainless steel shaft has full engagement over the entire length of the disc and is a non-wetted part, totally isolated from the media
- Higher pressure rating than standard 56 or 75 110psi at 70° F - All sizes 16"- 24"
- Seat overtightening protection
- Disc and seat only wetted parts
- Bubble-tight sealing
- ISO bolt circle on top flange – No body or stem modifications required for accessories

Options

- Pneumatically and electrically actuated with accessories
- Alternate disc: PVDF
- Stems in 316 stainless steel, titanium, Hastelloy C[®] †
- 2" square nut on gear operator
- Stem extensions (single stem and two-piece stem)
- Locking devices
- Chain operators
- Manual limit switch - Asahi P-Series

Specifications

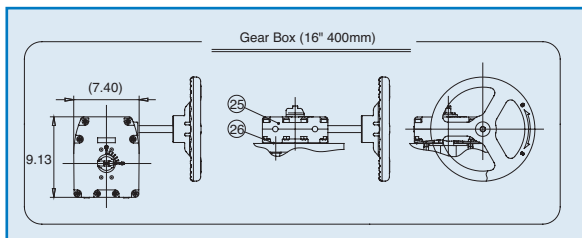
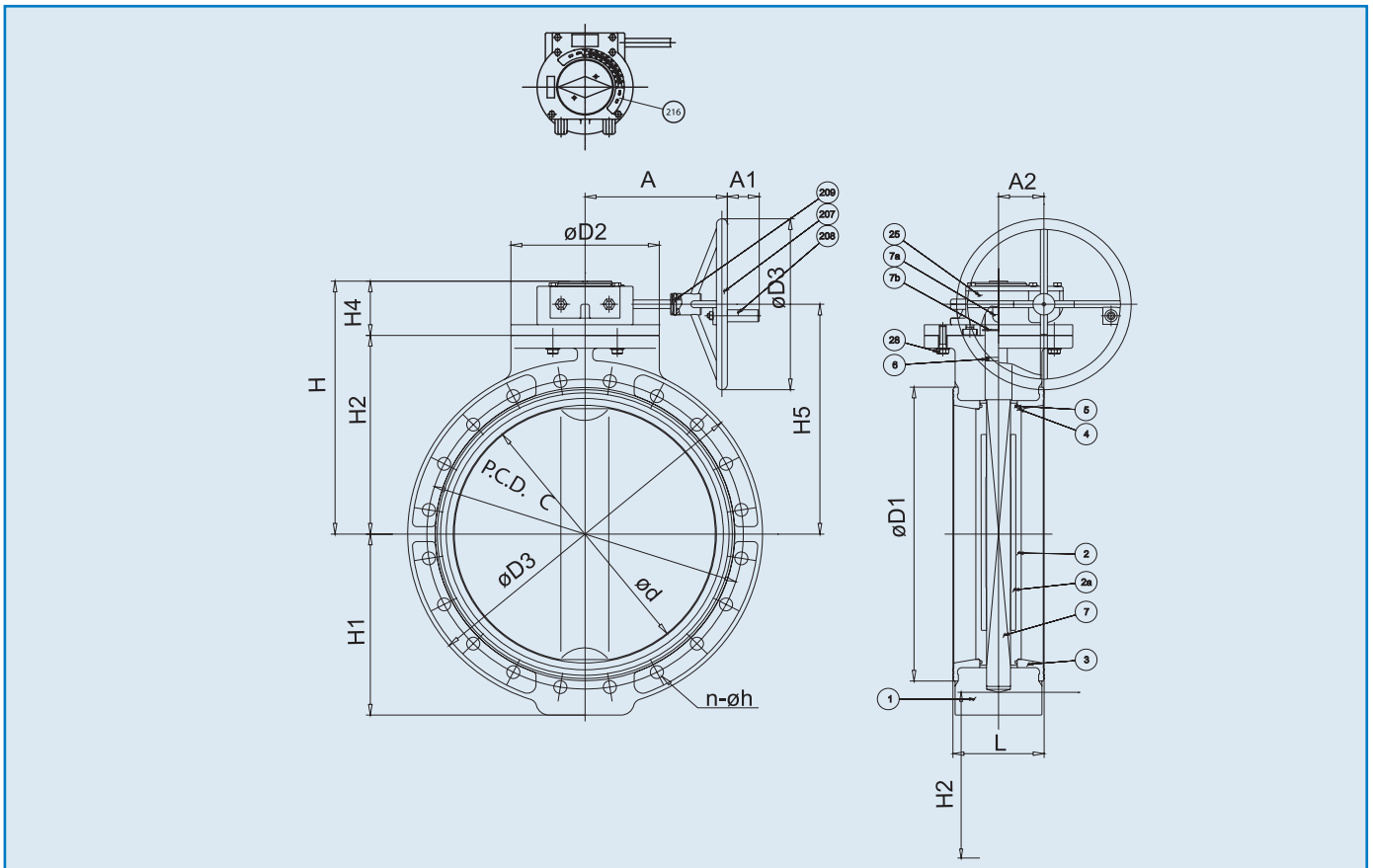
Sizes:	Gear: 16" - 24"
Models:	Wafer Style
Operators:	Gear
Bodies:	PDCPD
Discs:	PP and PVDF
Seats:	EPDM or FKM, also Nitrile,
Seals:	Same as seating material
Stems:	403 and 316 stainless steel, Titanium, Hastelloy C [®] †

† Trademark of Cabot Corporation

Parts List

PARTS			
NO.	DESCRIPTION	PCS.	MATERIAL
1	Body	1	PP, PVDF
2	Disc	1	PP, PVDF
2a	Disc Insert	1	AC4C
3	Seat	1	EPDM, FKM, Others
4	O-Ring (A)	2	EPDM, FKM, Others
5	O-Ring (B)	2	EPDM, FKM, Others
6	O-Ring (C)	1	EPDM, FKM, Others
7	Stem	1	Stainless Steel, (SUS 403)
7a	Key (A)	1	Carbon Steel (S45C)
7b	Snap Ring	1	Stainless Steel (SUS 304)
25	Gear Box	1	16" - Plasgear™
			18" - 24" Cast Iron (FC250)
26	Gasket (A)	1	EPDM
28	Bolt (C)	4	Stainless Steel (SUS 304)
207	Handle (C)	1	Cast Iron (FC250)
208	Handle Grip	1	Nylon, Etc.
209	Spring Pin	1	Stainless Steel (SUS 304)
216	Scale Plate	1	Stainless Steel (SUS 304)

All solid thermoplastic butterfly valves size 16"- 24" shall be of the lined body design and bubble-tight seal (meeting or exceeding Class VI as defined by American National Standard Institute) with only the liner and disc as wetted parts. Gear operators shall be worm gear design, self-locking Plasgear™ 16", or cast iron with corrosion resistant finish sizes 18", 20" and 24". The disc shall be of solid, abrasion resistant plastic 16", or metal reinforced 18"- 24", have double O-ring seals on top and bottom trunnions of the same material as the valve liner. Liner shall be molded and formed around the body, functioning as gasket seals with convex ring design on each side of the valve for lower bolt tightening torque. Stem shall be of 403 stainless steel, non-wetted and have engagement over the full length of the disc. Valves shall have a molded ISO bolt pattern on top flange for actuator mount. PP conforming to ASTM D4101 Cell Classification PPO210B67272, and PVDF conforming to ASTM D 3222 Cell Classification Type II. All PDCPD body valves shall be rated to 110psi size at 70° F. Butterfly valves shall be wafer style, as manufactured by Asahi/America, Inc.



Dimensions (Sizes 16" - 24") Note: Gear operated valve is standards 16" - 24" sizes

NOMINAL SIZE		ANSI CLASS 150																	Gear Box Model
INCHES	mm	d	C	n	h	D	D1	D2	D3	L	H	H1	H2	H4	H5	A	A1	A2	
16	400	15.98	21.26	16	1.12	24.41	18.50	9.25	11.81	6.65	18.03	12.40	13.78	4.25	-	10.71	-	3.91	BRF-243
18	450	17.80	22.75	16	1.25	26.18	20.67	13.39	15.75	7.05	19.57	13.19	14.57	5.00	17.44	12.83	2.97	4.11	AB1250N
20	500	19.72	25.00	20	1.25	28.35	22.64	13.39	15.75	7.48	20.76	14.37	15.75	5.00	18.62	12.83	2.97	4.11	
24	600	23.74	29.50	20	1.38	32.01	27.01	13.39	15.75	8.23	23.31	16.69	18.31	5.00	21.18	12.83	2.97	4.11	

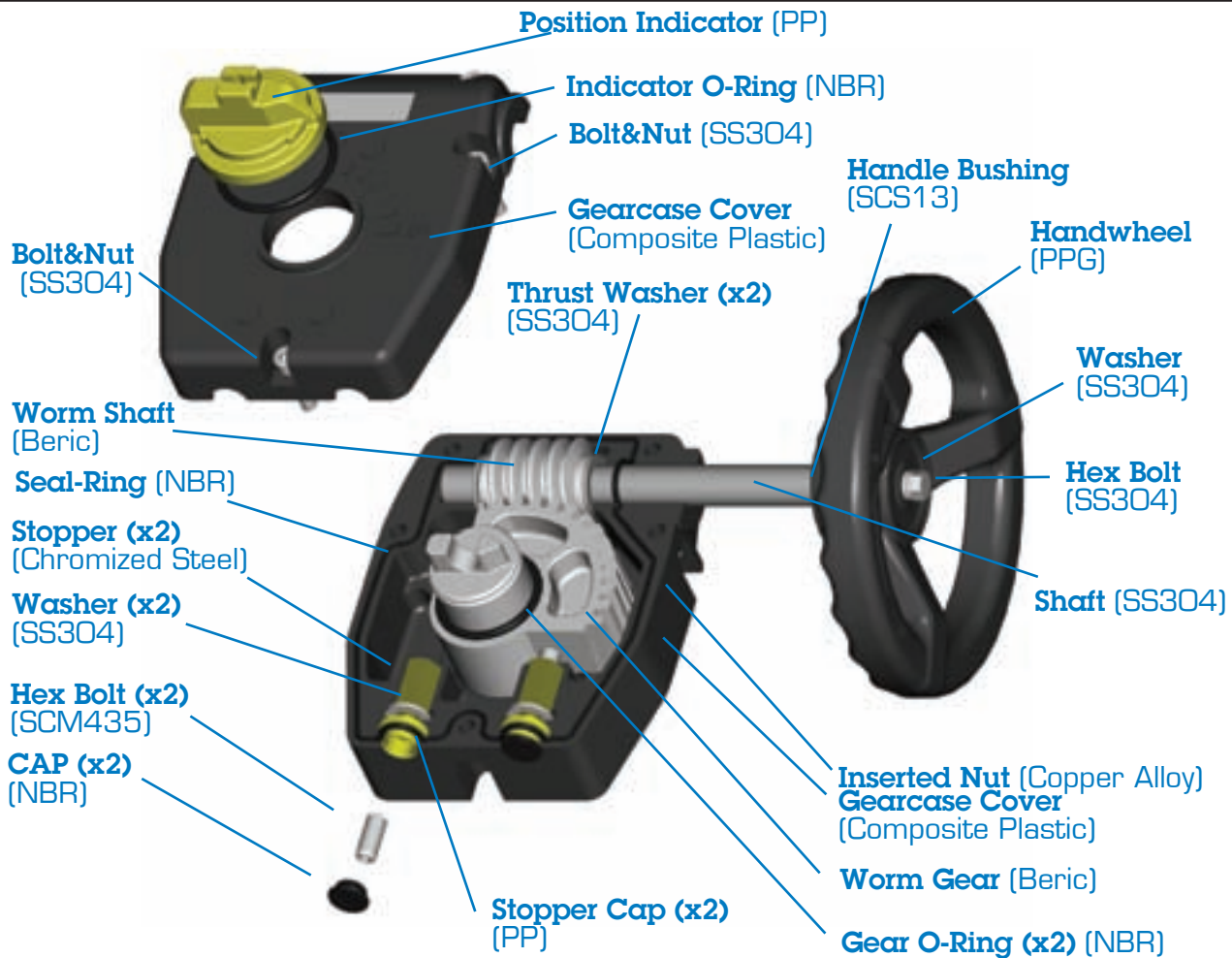
The size and shape may differ slightly from this assembly

Pressure vs. Temperature (psi, water, non-shock)*

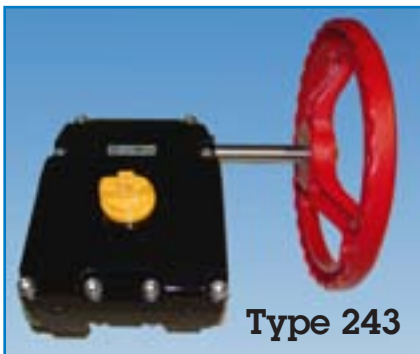
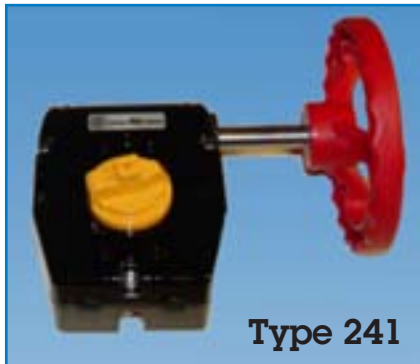
MODEL	BODY		PDCPD				PDCPD			
	DISC		PP				PVDF			
	NOMINAL SIZE		30° F	78° F	141° F	176° F	30° F	78° F	141° F	176° F
	INCHES	mm	77° F	140° F	175° F	194° F	77° F	140° F	175° F	210° F
	16	400	110	90	45	15	110	90	45	30
	18-24	450-600	110	90	45	15	110	90	45	30

EPDM: Up to 194° F, Others: Up to 210° F.

Plasgear™ - Plastic Gear Operator



Specifications



Type	Series 241	Series 243
Max Output Torque	300 N-m (2,700 in-lbs.)	900 N-m (8,000 in-lbs.)
Mechanical Advantage	12	15
Max Input Torque	25 N-m (220 in-lbs.)	60 N-m (530 in-lbs.)
Max Input Handwheel Force	300 N (70 lbf)	400 N (90 lbf)
Gear Ratio	38 : 1	38 : 1
Gear Efficiency	32%	39%
Turns to Close	9.5	9.5
Adjustable Travel	90+5°, -5°	90+5°, -5°
Valve Mounting Flange (ISO 5211)	F07, F10	F14
Weight	5 lbs.	18 lbs.
Weather Resistance	IP67	IP67
Enclosure	0.2 barg (3 psig) Submersible	0.2 barg (3 psig) Submersible
Temperature	-20 to 120°C (-5 to 250°F)	-20 to 120°C (-5 to 250°F)
Rated Cycle Life	100,000 cycles	100,000 cycles

Valve Mounting Flange

Valve Mounting Flange	Series 241		Series 243
Type	F07	F10	F14
ISO	2.756	4.016	5.512
P.C.D	M8	M10	M16
Threaded Size	4	4	4
Number of Bolts	4	4	4