

## DS-2CD2432F-IW

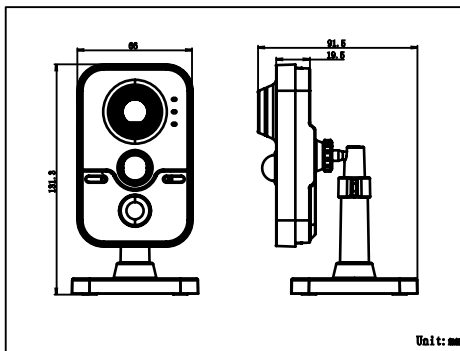
## 3MP IR Cube Network Camera



### Key features

- Up to 3.0 megapixel (2048 x 1536) resolution
- Full HD1080p real-time video
- PIR detection
- IR LEDs (up to 10m)
- DWDR & 3D DNR & BLC
- Built-in microphone & speaker
- SD/SDHC/SDXC card slot (up to 64Gb)
- Wi-Fi optional (WPS connection)

### Dimensions



DS-2CD2432F-IW	
<b>Camera</b>	
Image sensor	1/3" progressive scan CMOS
Min. illumination	0.19 lux@F2.0, AGC on 0 lux with IR
Shutter time	1/30s ~ 1/100,000s
Lens	4mm@F2.0, angle of view: 79° (2.8mm optional)
Lens mount	M12
Day & night	ICR
Digital noise reduction	3D DNR
Wide dynamic range	Digital WDR
Backlight compensation	Yes, zone configurable
<b>Compression standard</b>	
Video compression	H.264 / MJPEG
H.264 compression profile	Main profile
Bit rate	32 Kbps ~ 16 Mbps
Audio compression	G.711 / G.726
Audio bit rate	64 Kbps (G.711) / 16 Kbps (G.726)
<b>Image</b>	
Max. image resolution	2048 x 1536
Frame rate	60Hz: 20fps (2048 x 1536), 30fps (1920 × 1080), 30fps (1280 x 720)
Image settings	Saturation, brightness, contrast adjustable through client software or web browser
<b>Network</b>	
Network storage	NAS
Alarm trigger	PIR detection, motion detection, tampering alarm, network disconnect, IP address conflict, storage exception, storage error
Protocols	TCP/IP, ICMP, HTTP, HTTPS, FTP, DHCP, DNS, DDNS, RTP, RTSP, RTCP, PPPoE, NTP, UPnP, SMTP, SNMP, IGMP, 802.1X, QoS, IPv6, Bonjour
System compatibility	ONVIF, PSIA, CGI
General functionalities	Flickerless, dual stream, heartbeat, mirror, user authentication, video mask, watermark
<b>Interface</b>	
Communication interface	1 RJ45 10M / 100M ethernet port
Onboard storage	Built-in Micro SD/SDHC/SDXC card slot, up to 64 GB
Alarm I/O	1/1
<b>Wi-Fi parameters (only for -W model)</b>	
Wi-Fi standard	IEEE802.11b/g/n
Frequency range	2.4 GHz ~ 2.4835 GHz
Communication bandwidth	Support 20/40 MHz
Security	64/128-bit WEP, WPA/WPA2, WPA-PSK/WPA2-PSK, WPS
Transmission rate	11b: 11Mbps, 11g: 54Mbps, 11n: 150Mbps
Transmission range	Outdoor: up to 200 meters; Indoor: up to 50 meters. * It varies depending on actual environment.
<b>General</b>	
Operating conditions	-30° C ~ 60° C (-22° F ~ 140° F) humidity 95% or less (non-condensing)
Power supply	12 VDC ± 10%, PoE (802.3af)
Power consumption	Max. 5W
PIR detection range	Max. 10m
PIR detection angle	80°
IR range	Max. 10m
Dimensions (mm)	66 x 70.6 x 139.1 (2.60" x 2.78" x 5.48" )
Weight	400g (0.88lbs)

### Available models

DS-2CD2432F-IW

\* -W: Wi-Fi

\* Product picture and technical specs subject to change without previous notice.

For further information, please contact our local sales representatives.