

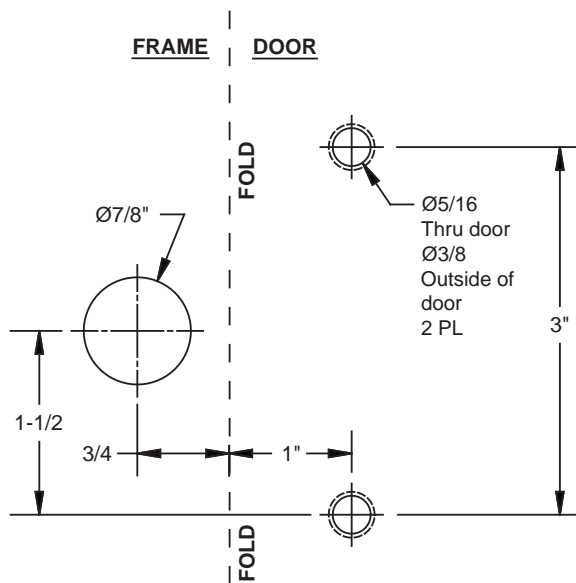
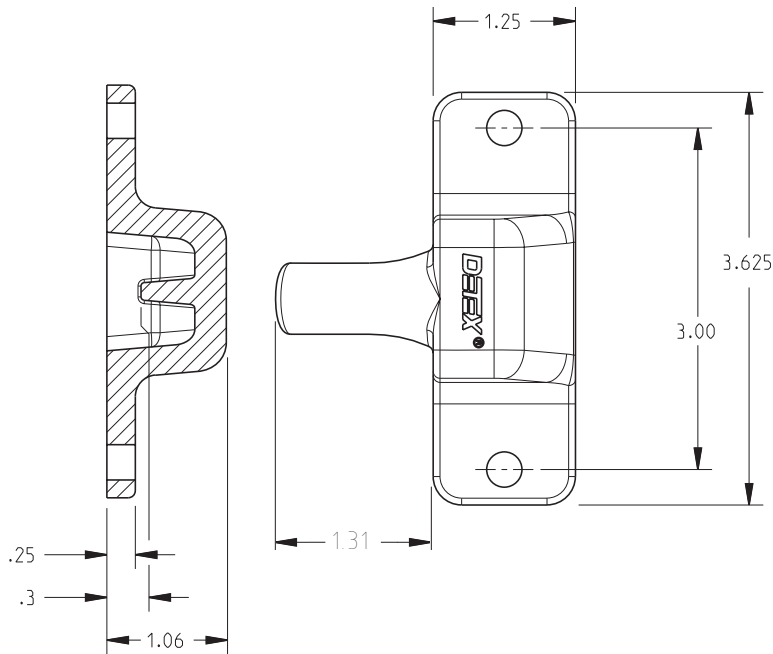
Technical Information

- Door Types - Hollow Metal, Fiberglass or Aluminum
- Door Thickness - Fits standard 1-3/4" - 2-1/4" (for other door thicknesses contact factory)
- Machine Screws with Sex Nut fasteners (Std.)

Finishes

- Available in Steel Gray (GRY) - standard Steel
- Available in Painted Black (BLK)

Dimensions



Listings and Approvals



Detex Limited Warranty

10 Year Limited Manufacturers Warranty



Detex Corporation
 302 Detex Drive
 New Braunfels, Texas 78130-3045 USA
 PH. (830) 629-2900
 (800) 729-3839
 FAX (830) 620-6711
 (800) 653-3839
<http://www.detex.com>
 USA Sales:
marketing@detex.com
 International Sales:
export@detex.com

VERTICAL ROD ASSEMBLIES

VRA-143 SERIES

for Detex Exit Control Lock Systems (230 Series)

A Vertical Rod Assembly (VRA) is used with a Detex Exit Control Lock (ECL-230D) to provide exit control security on outswinging double doors. In addition it may be used on a single door installation to provide top and bottom latching instead of the single point latching provided by the Exit Control Lock itself.

*For ECL-230X VRA options, see 230X Series



Benefits

- 2 point locking provides extra security
- 3 versions to suit most conditions
- Surface applied - no mortise required for easy installation
- Automatically released when the ECL-230 device is activated

Features

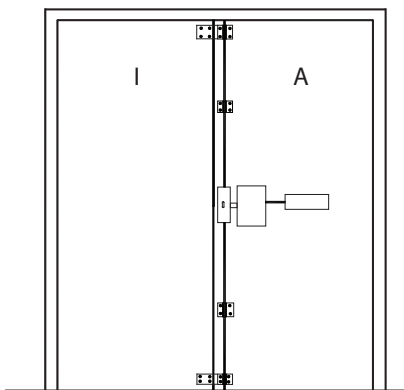
- Heavy duty 3/8" diameter bolts
- VRA-143B secures a single or a pair of doors with one ECL-230D Series Lock, allowing outside access to the active door
- 2 VRA-143C assemblies hold a pair of doors with 2 ECL-230D Series locks, allowing outside access to the active door
- 2 VRA-143D assemblies hold a pair of doors with 2 ECL-230D series locks & permit independent operation of each leaf
- Non-handed
- Sizes accommodate 80" - 120" doors

Riser Diagram

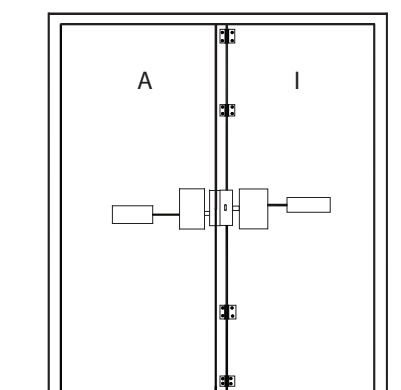
I = Inactive Leaf A = Active Leaf

A = Active Leaf I = Inactive Leaf

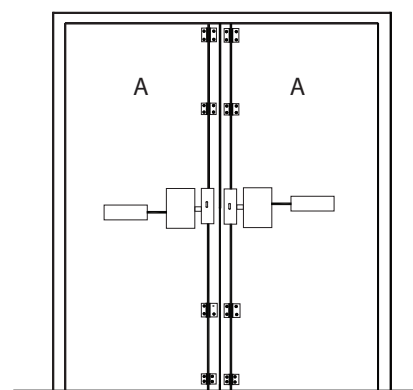
A = Active Leaf



Type "B"



Type "C"



Type "D"

Mechanical Options

- Option B (std) - Active leaf opens both
- Option C - Active leaf opens first; Inactive leaf remains locked until ECL-230D is activated
- Option D - Each leaf independent
- Door Heights - 84" (std) Special 85" to 96" and over 96"

Accessories

- ECL-230D
- ECL-230D-PH
- ECL-436K Bar Guard Kit (for use with ECL-230D)
- ECL-2100K Bar Guard Kit (for use with ECL-230D-PH)
- RC65 - Rim Cylinder
- ECL-1595 - Standard cylinder collar for ECL-230D or ECL-230D-PH
- DX Bolts for hinge locking

Technical Information

- Bolts - case hardened, heat treated and zinc plated
- Rods - steel, zinc plated
- Housing - steel, zinc plated

Listings and Approvals



"U.L. Listed
Exit Hardware"

Detex Limited Warranty

3 Year Limited Manufacturers
Warranty

Where Trust is Built™
DETEX®
Life Safety and Security Door Hardware

Detex Corporation
302 Detex Drive
New Braunfels, Texas 78130-3045 USA
PH. (830) 629-2900
(800) 729-3839
FAX (830) 620-6711
(800) 653-3839
<http://www.detex.com>
USA Sales:
marketing@detex.com
International Sales:
export@detex.com

Life Safety and Security Door Hardware



EXIT ALARMS

EAX[®]-500 HOW TO ORDER

EXTENDED BYPASS

0 = Alarm must be manually turned off

NON-EXTENDED BYPASS

(When arming delay expires, if the door is open, the alarm will sound)

2 = 2 min. Auto Re-arm

3 = 10 min. Auto Re-arm

4 = 20 min. Auto Re-arm

5 = Alarm sounds if door is open after arming delay. Manual Re-arm only

EAX-5 0 0 x Enhancements x

Example Order Number

* **W** = Weatherized

ARMING DELAY

0 = 15 Second Arming Delay

1 = 1 Second Arming Delay

2 = 5 Second Arming Delay

x Color x

None = Gray (Std.)

BK = Black

x Signage x

None = Red w/wht letters English

RWS = Red w/wht letters Spanish

RWC = Red w/wht letters Chinese

GWE = Green w/wht letters English

Contact factory for other languages

x Cylinders x

MC65 = Mortise Cylinder, factory installed

IC7 = 7-pin IC Cylinder Housing (core not included), factory installed

x Miscellaneous x

KS = Key Stop, factory installed

x Kits x

SI = Status Indicator On - Add \$5

* **SK1** = Kit allows for wall mounting, includes (1) MS-1039S door contact - Add \$45

* **SK2** = Kit allows for wall mounting, includes (2) MS-1039S door contacts - Add \$90

* **SK3** = Kit allows for wall mounting, includes (1) MS-1059S door contact - Add \$45

* **SK4** = Kit allows for wall mounting, includes (2) MS-1059S door contacts - Add \$90

* **SK5** = Kit allows for wall mounting, includes (1) MS-2049 door contact - Add \$83

* **SK6** = Kit allows for wall mounting, includes (2) MS-2049 door contacts - Add \$166

* SK1 thru SK6 Kit Options not available in Weatherized

EAX® EXIT ALARMS

EAX-500

Battery Powered Door or Wall Mount Exit Alarm

The Detex EAX-500 Series is designed for applications requiring a battery-powered alarm on secured doors. The alarm, with approximately 100dB, will sound when an unauthorized exit occurs. The redesigned shape and smaller size of the EAX-500 makes it the ideal choice for quick and easy installations on emergency exit and restricted doors.

Shown with cylinder (cylinder sold separately)



Benefits

- Low cost, self-contained door alarm with piezo horn that sounds to warn unauthorized use of a door or gate
- Secure, tamper resistant housing
- Quick, easy installation saves time and money

Features

- Patented plastic template allows for foolproof alignment of internal magnetic door contact and accurate installation
- Patented cam assembly automatically adjusts for different sizes of cylinders without use of spacers
- Modern graphics on cover to demonstrate key rotation and operation
- Tapered cover allows for installation on narrow stile doors, 2" minimum
- Alarm can only be silenced by proper control key
- 9VDC battery operated with Low Battery Alert
- Intelligent circuit senses the external magnet location automatically and sets the correct door handing
- Extended bypass (now a standard feature) allows alarm to remain bypassed when door is open and automatically rearm upon door closing
- LED visual and audible arming indicators
- Field selectable 2-minute auto rearm, if desired
- 100 dB piezo alarm
- Field selectable status indicators, if desired

Mechanical Options

- EAX-500 may be ordered in several kit configurations:
 - SK1 Kit allows for wall mounting and includes (1) white MS-1039S door contact
 - SK2 Kit allows for wall mounting and includes (2) white MS-1039S door contacts
 - SK3 Kit allows for wall mounting and includes (1) brown MS-1059S door contact
 - SK4 Kit allows for wall mounting and includes (2) brown MS-1059S door contacts
 - SK5 Kit allows for wall mounting and includes (1) grey MS-2049S door contact
 - SK6 Kit allows for wall mounting and includes (2) grey MS-2049S door contacts
- OKC - Outside Key Control (Rim Cylinder required)
- EAX-500SK includes exit alarm prepped for wall mounting, mortise cylinder and surface magnetic door contacts - specify cover lock # - additional surface contacts can be ordered separately
- KS - Key Stop (Key removed only when armed)

Electrical Options

Other EAX Exit Alarms Include:

- EAX-500W- Weatherized Battery Powered
- EAX-2500 - AC Powered
- EAX-3500 includes timed bypass alarm, rechargeable battery (mortise cylinder sold separately)

- EAX-3500FK includes timed bypass alarm, rechargeable battery, flush magnetic switch and plug-in 24VDC transformer

- EAX-3500SK includes timed bypass alarm, rechargeable battery, surface magnetic switch and plug-in 24VDC transformer

Accessories

- IC7 - Interchangeable mortise cylinder
- MC65 - Mortise cylinder

Technical Information

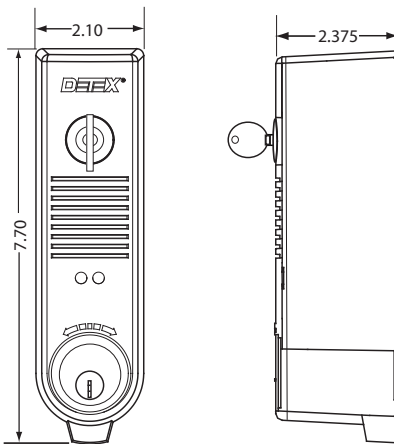
- Machine and Self-Drilling Screws (Std.)
- Optional Sex Nuts or Security Torx Screws available

Finishes

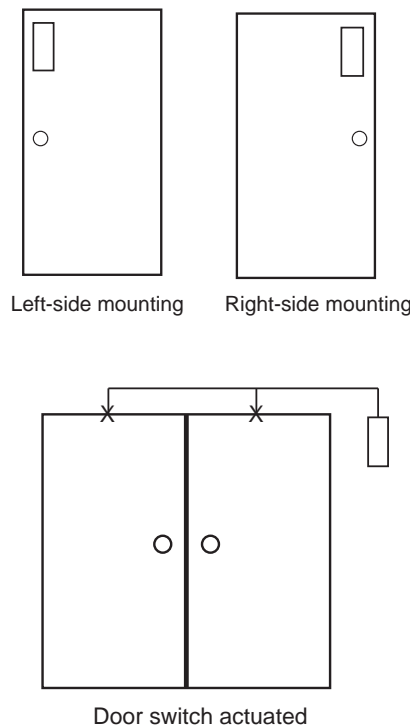
- GY - Grey
- BK - Black

Dimensions

Front and Side View



Riser Diagram



Detex Limited Warranty
3 Year Limited Manufacturer's
Warranty

Listings and Approvals



UL Classified
Miscellaneous Fire
Door Accessory



ANSI/BHMA Certified
A156.29

Double door application as shown above available with EAX-500, EAX-2500 and EAX-3500.

Note: Double door application as shown above **not** available with EAX-500W weatherized alarm.

Where Trust is Built™
DETEX®
Life Safety and Security Door Hardware

Detex Corporation
302 Detex Drive
New Braunfels, Texas 78130-3045 USA
PH. (830) 629-2900
(800) 729-3839
FAX (830) 620-6711
(800) 653-3839
<http://www.detex.com>
USA Sales:
marketing@detex.com
International Sales:
export@detex.com

EAX® EXIT ALARMS

EAX-500W

Battery Powered Door Mounted Weatherized Exit Alarm

The Detex EAX-500W Weatherized Exit Alarm is designed for applications that require a battery-powered alarm on secured doors, particularly emergency exits that open to the outdoors or wet environment. The alarm, with approximately 100dB, will sound when an unauthorized exit occurs. The redesigned shape and smaller size of the EAX-500W makes it the choice for quick and easy installations on emergency exit and restricted doors and gates.

Shown with mortise cylinder
(cylinder sold separately)



Benefits

- Low cost, self-contained door alarm with piezo horn that sounds to warn unauthorized use of a door or gate
- Weatherized for outdoor environments
- Secure, tamper resistant housing
- Quick, easy installation saves time and money

Features

- Patented plastic template allows for foolproof alignment of internal magnetic door contact and accurate installation
- Tapered cover allows for installation on narrow stile doors, 2" minimum
- Intelligent circuit senses the external magnet location automatically and sets the correct door handing
- Patented cam assembly automatically adjusts for different sizes of cylinders without use of spacers
- Alarm can only be silenced by proper control key
- Extended bypass (now a standard feature) allows alarm to remain bypassed when door is open and automatically rearm upon door closing
- Modern graphics on cover to demonstrate key rotation and operation
- 100 dB piezo alarm
- 9VDC battery operated with Low Battery Alert
- LED visual and audible arming indicators
- Field selectable 2-minute auto rearm, if desired
- Field selectable status indicators, if desired
- Weatherized electronics certified to Driving Rain and Salt Fog Test (see Listings and Approvals)

Mechanical Options/Accessories

- KS - Key Stop (Key removed only when armed)
- OKC - Outside Key Control (Rim Cylinder required)
- MC65 - Detex Mortise Cylinder pre-installed at factory
- IC7 - 7 pin interchangeable core housing, pre-installed at factory (Compatible with most standard 7 pin IC format cores)

Electrical Options

Other EAX Exit Alarms (non Weatherized) Include:

- EAX-500 - Battery Powered
- EAX-2500 - AC Powered
- EAX-3500 - Timed Bypass and Rechargeable Battery

Other Weatherized EAX Exit Alarms Include:

- EAX-500W - Battery Powered, Timed Bypass

Technical Information

• Door Types - Wood, Hollow Metal, Fiberglass or Aluminum

• Inswinging door applications use accessory PN 102644 (Inswing Door Kit)

• Machine and sheet metal screws (Std.)

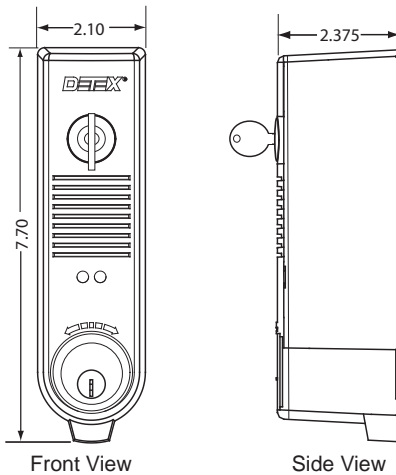
Finishes

• GY - Grey

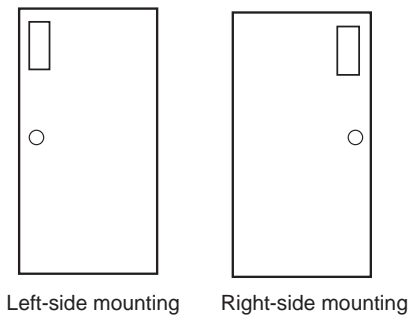
• BK - Black

Dimensions

Front and Side View



Riser Diagram



Detex Limited Warranty

3 Year Limited Manufacturer's Warranty

Listings and Approvals



"UL Listed Miscellaneous
Fire Door Accessory"

MIL-STD 810F, Method 506.4
(Driving Rain Test)

MIL-STD 810F, Method 509.4
(Salt Fog Test)



ANSI/BHMA
A156.29

Where Trust is Built™
DETEX®
Life Safety and Security Door Hardware

Detex Corporation
302 Detex Drive
New Braunfels, Texas 78130-3045 USA
PH. (830) 629-2900
(800) 729-3839
FAX (830) 620-6711
(800) 653-3839
<http://www.detex.com>
USA Sales:
marketing@detex.com
International Sales:
export@detex.com

EAX[®]-2500 HOW TO ORDER

EXTENDED BYPASS

- 0** = Alarm must be manually turned off; or may be field selected for 2 min. Auto Re-arm
- 3** = Alarm must be manually turned off; or may be field selected for 10 min. Auto Re-arm
- 4** = Alarm must be manually turned off; or may be field selected for 20 min. Auto Re-arm
- 5** = Alarm must be manually turned off; or may be field selected for 200 min. Auto Re-arm

EAX-25

0

0

x

Color

x

Signage

x

Cylinders

x

Misc. Options

x

Power

Example Order Number

None = Gray (Std.)

BK = Black

MC65 = Mortise Cylinder, factory installed

IC7 = 7-pin IC Cylinder Housing (core not included), factory installed

IN = Includes 220 Transformer

277 = Includes 277 Tranformer

L9 = Remove 9 volt Backup Battery

SI = Status Indicator On

ARMING DELAY

- 0** = 15 Second Arming Delay
- 1** = 1 Second Arming Delay
- 2** = 5 Second Arming Delay
- 4** = 255 Second Arming Delay

BACK BOX

None = No back box (Std.)

S = Surface Mounting

F = Flush Mounting

SK1 = Surface Kit: Surface mount back box, 24 VAC transformer, surface door contacts

FK1 = Flush Kit: Flush mount back box, 24 VAC transformer, flush door contacts

C = Conversion kit for retrofit from EA-2500F

None = Red w/wht letters English

RWS = Red w/wht letters Spanish

RWC = Red w/wht letters Chinese

GWE = Green w/wht letters English

Contact factory for other languages

KS = Key Stop, factory installed

EAX® SERIES

EAX-2500

AC/DC External Powered Wall Mount Exit Alarm

The Detex EAX-2500 Series Exit Alarm is designed for applications requiring a hardwired AC/DC alarm on secure doors. The alarm, with approximately 100dB, will sound when an unauthorized exit occurs. The smaller size of the EAX-2500, which is designed to fit in a standard 4"x4" outlet box, makes it the choice for quick and easy installations on emergency exit and restricted doors.



Specify EAX-2500SxMC65



Specify EAX-2500SxBKxMC65

Benefits

- Field selectable features allow customer to choose status indicators and auto rearm options
- 100dB piezo horn provides security for restricted doors
- Easy to install using ordinary tools to save time and money
- New graphics on cover are easy to understand and make key operation simple
- Available in either gray or black to blend with any décor

Features

- Surface and flush mount available using 4"x4" double switch/outlet box
- Patented cam assembly automatically adjusts for different size cylinders without spacers
- Inside Key Control uses mortise cylinder with standard Yale cam
- AC/DC hardwired power with optional 9VDC backup battery
- Low battery alert is field selectable
- Silent arming feature is field selectable
- Tamper resistant housing and cover protects electronics
- Extended bypass allows alarm to remain silenced when door is open and automatically rearm upon closing of door
- Relay output for signaling external accessories

Mechanical Options

- KS - Key Stop (Key removed only when armed)
- EAX-2500 Flush or Surface
- EAX-2500FK1 - Complete kit contains alarm, warning sign, flush back box, flush magnetic switch and 24VAC transformer (add suffix "xMC65 or xIC7" to include factory installed cylinder)
- EAX-2500SK1 - Complete kit contains alarm, warning sign, surface back box, surface magnetic switch and 24VAC transformer (add suffix "xMC65 or xIC7" to include factory installed cylinder)

Other EAX Exit Alarms Include

- EAX-500 - Battery Powered
- EAX-500W - Weatherized Battery Powered
- EAX-3500 - Timed Bypass and Rechargeable Battery
- EAX-300 - Door Prop
- EAX-300W - Weatherized Door Prop

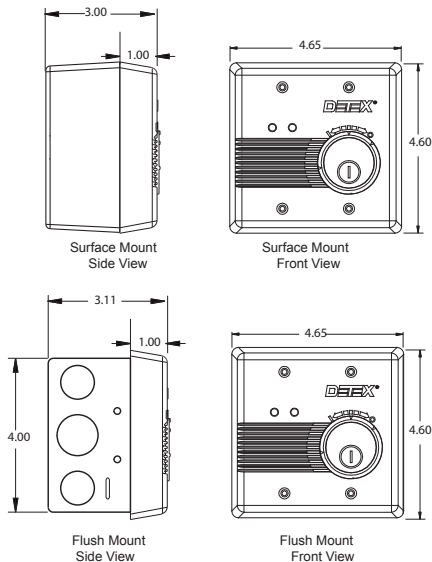
Accessories

- IC7 - Interchangeable mortise cylinder (can be factory installed)
- MC65 - Mortise cylinder (can be factory installed)
- MS-2049, MS-1039, MS-1059 - Magnetic Switch
- Optional Cylinder Nut Wrench P/N: 103779

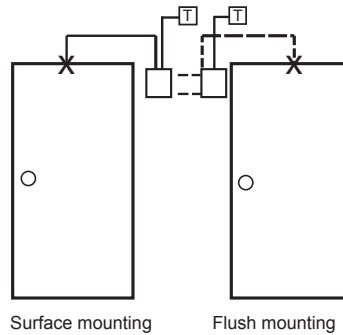


Dimensions

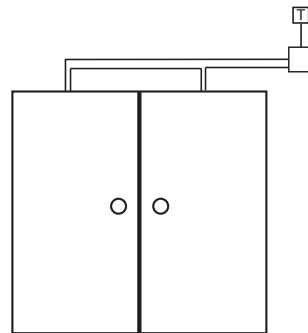
Front and Side View



Riser Diagram



Surface mounting Flush mounting



Door switch actuated

Double door application as shown above available with EAX-500, EAX-300, EAX-2500 and EAX-3500.

Note: Double door application as shown above **not** available with EAX-300W or EAX-500W weatherized alarms.

Detex Limited Warranty

3 Year Limited Manufacturers Warranty

Where Trust is Built™
DETEX®
Life Safety and Security Door Hardware

Detex Corporation
 302 Detex Drive
 New Braunfels, Texas 78130-3045 USA
 PH. (830) 629-2900
 (800) 729-3839
 FAX (830) 620-6711
 (800) 653-3839
<http://www.detex.com>
 USA Sales:
marketing@detex.com
 International Sales:
export@detex.com

EAX® EXIT ALARMS

EAX-3500

Timed Bypass Exit Alarm and Rechargeable Battery

The Detex EAX-3500 is designed for applications requiring a hard-wired, timed-bypass alarm with rechargeable backup battery. The 100dB alarm will sound when someone attempts an unauthorized exit. The EAX-3500 can be temporarily bypassed for deliveries and trash removal, but reminds manager to close and secure the door.

Shown with cylinder (mortise cylinder sold separately)



Benefits

- Allows manager to temporarily bypass the alarm, but does not allow the alarm to be turned off
- Reminds manager to close and secure the door, minimizing door prop time
- Minimizing door prop time saves energy costs
- Minimizing door prop time reduces exposure to theft and threat of robbery
- Simple, on-the-cover instructions make operation easy
- LEDs illustrate armed status and bypass time, allowing quick easy reference
- Alarm demands attention even in noisy environments
- Tamper-resistant housing and circuits prevent dishonest employees from defeating alarm
- Mortise cylinder sold separately, allowing alarm to be keyed to existing master-key system, helping to maintain key control

Features

- Hard-wired low voltage power with rechargeable battery insures uninterrupted secure power feed
- Maximum allowable bypass time can be factory set or field-adjusted to 5, 10, 20 or 40 minutes
- Bypass time is easily set using two simple slide jumpers, located inside secured enclosure
- 100dB alarm, powered by 12 to 24 VAC and rechargeable backup battery (included)
- Low battery alert
- Rechargeable backup battery provides 72-hours of operation
- Timed bypass allows alarm to remain bypassed for allotted minutes, automatically rearming upon door closing
- Accepts 5, 6 or 7-pin standard and interchangeable core mortise cylinders with a standard Yale cam
- Patented cam assembly automatically adjusts for different size/length cylinders without the use of additional spacers or cylinder collars
- Resetting the alarm can only be accomplished with a control key

Mechanical Options

- EAX-3500 includes surface mount timed-bypass alarm, rechargeable battery (mortise cylinder sold separately)
- EAX-3500SK includes surface mount timed-bypass alarm, rechargeable battery, surface magnetic switch and plug-in 24VAC transformer (mortise cylinder sold separately)
- EAX-3500FK includes flush mount timed-bypass alarm, rechargeable battery, flush magnetic switch and plug-in 24VAC transformer (mortise cylinder sold separately)

Accessories

- IC7 - Interchangeable core mortise cylinder
- MC65 - Mortise cylinder
- Optional Cylinder Nut Wrench P/N: 103779

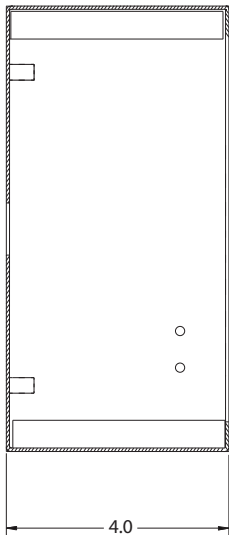


Technical Information

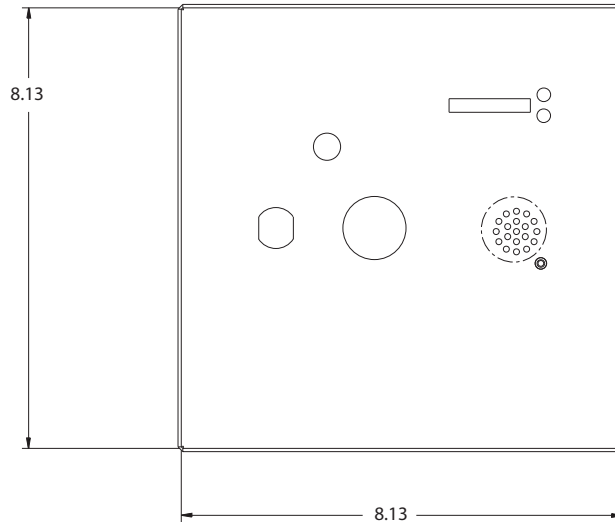
- Machine and Self Drilling Screws (Std.)
- Amp Draw - .083 Amps @ 24 VDC (Alarmed)
- .110 Amps @ 24 VDC (Door Prop)

Dimensions

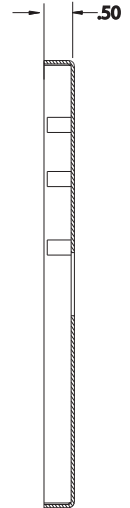
Back - Side View



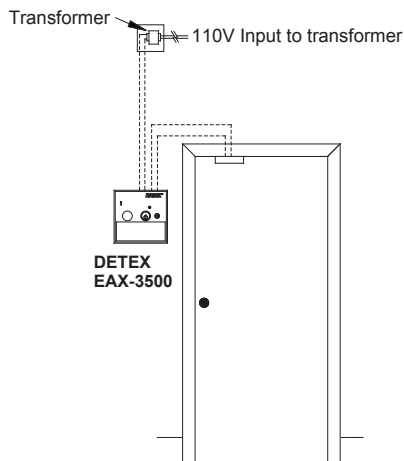
Front View



Cover - Side View



Riser Diagram



Listings and Approvals



“UL Listed”



ANSI/BHMA Certified A156.29

Detex Limited Warranty

3 Year Limited Manufacturers Warranty



Detex Corporation
 302 Detex Drive
 New Braunfels, Texas 78130-3045 USA
 PH. (830) 629-2900
 (800) 729-3839
 FAX (830) 620-6711
 (800) 653-3839
<http://www.detex.com>
 USA Sales:
marketing@detex.com
 International Sales:
export@detex.com

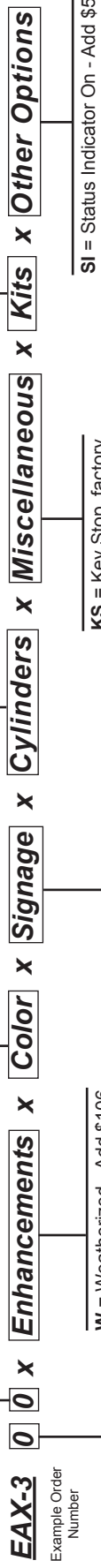
EAX[®]-300 HOW TO ORDER

- SK1** = Kit allows for wall mounting, includes (1) MS-1039S door contact - Add \$45
- SK2** = Kit allows for wall mounting, includes (2) MS-1039S door contacts - Add \$90
- SK3** = Kit allows for wall mounting, includes (1) MS-1059S door contact - Add \$45
- SK4** = Kit allows for wall mounting, includes (2) MS-1059S door contacts - Add \$80
- SK5** = Kit allows for wall mounting, includes (1) MS-2049 door contact - Add \$83
- SK6** = Kit allows for wall mounting, includes (2) MS-2049 door contacts - Add \$166

- * " " = No Cylinder
- C65** = Mortise Cylinder, factory installed - Add \$60
- IC7** = 7-pin IC Cylinder Housing (core not included), factory installed - Add \$60
- IK7** = Cylinder InstaKey Housing (core not included), factory installed - Add \$80.00

- * **None** = Gray (Std.)
- BK** = Black

MODE
 * **0** = Door Prop
1 = Door Chime



W = Weatherized - Add \$106

KS = Key Stop, factory installed - Add \$5

SI = Status Indicator On - Add \$5

DOOR PROP DELAY
0 = 15 seconds

- None** = Red w/wht letters English
- RWS** = Red w/wht letters Spanish
- RWC** = Red w/wht letters Chinese
- GWE** = Green w/wht letters English
- Contact factory for other languages

NOTE: * = default

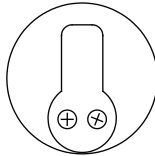
EAX® EXIT ALARMS

EAX-300

Battery Powered Door Propped Alarm

The Detex EAX-300 Series is designed for applications where doors may be used for egress or ingress, but may not be held or propped open. Door open times from 1 second to 4 minutes (15 second default) are field selectable. The smaller size makes installation quick and easy.

Shown with mortise cylinder
(cylinder sold separately)



Benefits

- Low cost, solution to propped open doors
- Helps keep energy costs down by ensuring doors are closed
- Alarm silences when door is closed, no waiting for key-holder to arrive
- Quick, easy installation saves time and money

Features

- Secure, tamper resistant housing
- Patented plastic template assures accurate installation by providing foolproof alignment with internal magnetic door contact
- Tapered cover allows for installation on narrow stile doors, 2" minimum
- Intelligent circuit senses the external magnet location automatically and sets the correct door handing
- 100 dB piezo alarm
- 9VDC battery operated with Low Battery Alert
- LED visual arming indicators

Mechanical Options

- EAX-300 may be ordered in several kit configurations:
 - SK1 Kit allows for wall mounting and includes (1) white MS-1039S door contact
 - SK2 Kit allows for wall mounting and includes (2) white MS-1039S door contacts
 - SK3 Kit allows for wall mounting and includes (1) brown MS-1059S door contact
 - SK4 Kit allows for wall mounting and includes (2) brown MS-1059S door contacts
 - SK5 Kit allows for wall mounting and includes (1) grey MS-2049S door contact
 - SK6 Kit allows for wall mounting and includes (2) grey MS-2049S door contacts
- KS - Key Stop, factory installed
- SI - Status Indicator On

Electrical Options

- Weatherized for use on gates or doors that are subjected to inclement weather

Accessories

- MC65 - Mortise Cylinder
- IC7 - 7 pin IC Cylinder Housing
- IK7 - Cylinder InstaKey Housing

Technical Information

- Machine and self-drilling screws
- Optional Cylinder Nut Wrench
P/N: 103779

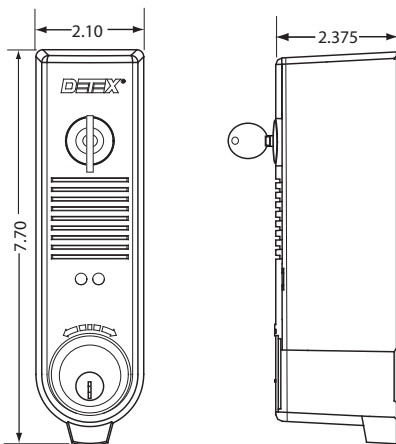


Finishes

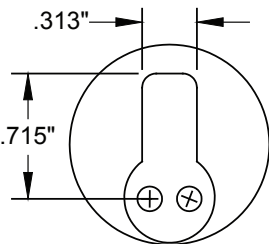
- GY - Grey
- BK - Black

Dimensions

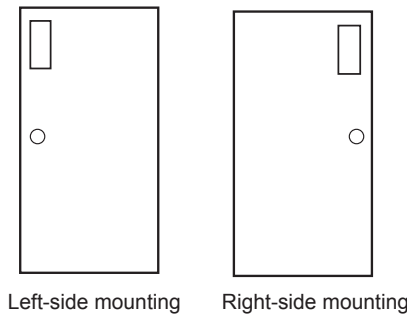
Front and Side View



Mortise Cylinder (sold separately) - dimensions approximate

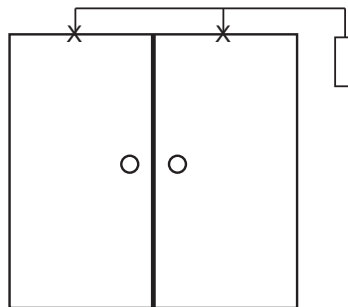


Riser Diagram



Left-side mounting

Right-side mounting



Door switch actuated

Detex Limited Warranty

3 Year Limited Manufacturers Warranty

Listings and Approvals



"UL Listed Miscellaneous Fire Door Accessory"



ANSI/BHMA A156.29

Where Trust is Built™
DETEX®
Life Safety and Security Door Hardware

Detex Corporation
302 Detex Drive
New Braunfels, Texas 78130-3045 USA
PH. (830) 629-2900
(800) 729-3839
FAX (830) 620-6711
(800) 653-3839
<http://www.detex.com>
USA Sales:
marketing@detex.com
International Sales:
export@detex.com

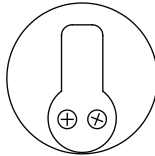
EAX® EXIT ALARMS

EAX-300W

Battery Powered Weatherized Door Propped Alarm

The Detex EAX-300W Series is designed for applications where doors that open to the outdoors or wet environments may be used for egress or ingress, but may not be held or propped open. Door open times from 1 second to 4 minutes (15 second default) are field selectable. The smaller size makes installation quick and easy on doors or gates.

Shown with mortise cylinder
(cylinder sold separately)



Benefits

- Low cost, solution to propped open doors
- Helps keep energy costs down by ensuring doors are closed
- Alarm silences when door is closed, no waiting for key-holder to arrive
- Weatherized for use on gates or doors that are subjected to inclement weather
- Quick, easy installation saves time and money

Features

- Secure, tamper resistant housing
- Tapered cover allows for installation on narrow stile doors, 2" minimum
- 100 dB piezo alarm
- Patented plastic template assures accurate installation by providing foolproof alignment with internal magnetic door contact
- Intelligent circuit senses the external magnet location automatically and sets the correct door handing
- 9VDC battery operated with Low Battery Alert
- Weatherized electronics certified to driving rain and salt fog test (see Listings & Approvals)
- LED visual arming indicators

Mechanical Options

- KS - Key Stop, factory installed (always armed when key removed)
- SI - Status Indicator On

Accessories

- MC65 - Mortise Cylinder
- IC7 - 7 pin IC Cylinder Housing
- IK7 - Cylinder InstaKey Housing
- Optional Cylinder Nut Wrench
P/N: 103779



Electrical Options

Other EAX Door-Proppped Alarms (non Weatherized) Include:

- EAX-300 - Battery Powered

Other EAX Exit Alarms (non Weatherized) Include:

- EAX-500 - Battery Powered
- EAX-2500 - AC Powered
- EAX-3500 - Timed Bypass and Rechargeable Battery

Other Weatherized EAX Exit Alarms Include:

- EAX-500W - Battery Powered, Timed Bypass

Technical Information

• Door Types - Wood, Hollow Metal, Fiberglass or Aluminum

• Inswinging door/gate applications use accessory PN 102644 (Inswing Door Kit)

• Machine and self-drilling screws

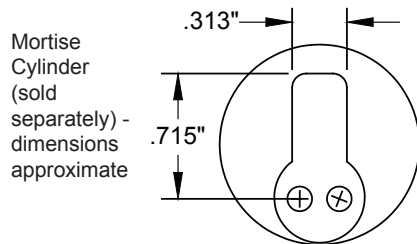
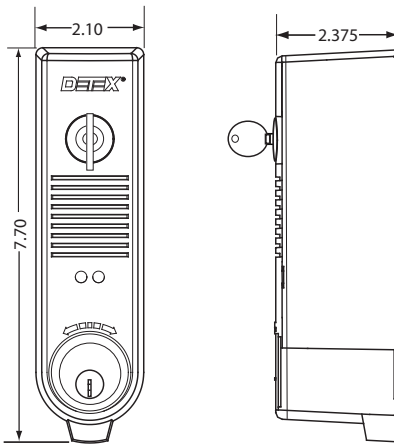
Finishes

• GY - Grey

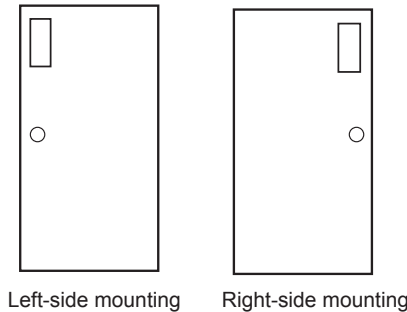
• BK - Black

Dimensions

Front and Side View



Riser Diagram



Detex Limited Warranty

3 Year Limited Manufacturers Warranty

Listings and Approvals



"UL Listed Miscellaneous Fire Door Accessory"

MIL-STD 810F, Method 506.4 (Driving Rain Test)

MIL-STD 810F, Method 509.4 (Salt Fog Test)



ANSI/BHMA A156.29

Where Trust is Built™
DETEX®
Life Safety and Security Door Hardware

Detex Corporation
302 Detex Drive
New Braunfels, Texas 78130-3045 USA
PH. (830) 629-2900
(800) 729-3839
FAX (830) 620-6711
(800) 653-3839
<http://www.detex.com>
USA Sales:
marketing@detex.com
International Sales:
export@detex.com

EAX® SERIES

EAX-411SK

Door Prop Alarm

The EAX-411SK AC powered door prop alarm provides a unique solution to the common security challenge associated with doors that are propped open. Helping to enhance access control systems and provide additional perimeter security, the EAX-411SK provides a custom fit for each opening with its 0 to 60 second adjustable “door open” time. When a door is left open longer than the set time, the alarm will sound. The EAX-411SK will automatically reset when the door is closed.

Specify the EAX-411SK kit which includes the ES-411, finished S1 back box, plug-in transformer and MS-1039S magnetic switch.



Benefits

- Alarm encourages door users to keep door closed
- Localized alarm notifies area personnel of security breach/ door prop condition
- Eliminating door propping helps save on energy costs
- Remote relay allows monitoring of door status from management office or guard station
- Reduces false alarms

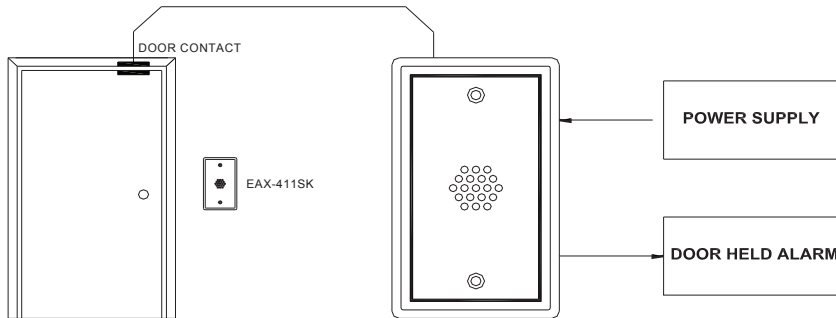
Features

- Stand alone device
- Integrates into any access control system
- Kit includes transformer and magnetic door contact
- 90dB alarm easily warns of door prop status
- Adjustable alarm delay time 0 to 60 seconds
- Alarm status relay for remote annunciation (zone monitoring)
- Automatic alarm reset/rearm upon closure of door
- Mounts in a 1 gang box (included in SK Kit)
- Flush mount, aesthetically pleasing

Technical Information

- 12 or 24 VAC/VDC @ 70 mA
- Input - Normally Closed Door Contact
- Output - Normally Closed Door Held Alarm (500mA @ 30VDC)

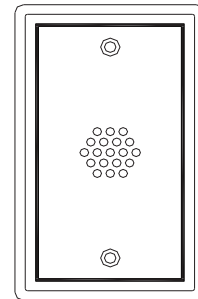
Riser Diagram



Finishes

- Painted Beige

Dimensions



2-3/4" Wide x 4-5/8" High x 2" Deep

Detex Limited Warranty

3 Year Limited Manufacturers Warranty

Where Trust is Built™
DETEX®
Life Safety and Security Door Hardware

Detex Corporation
302 Detex Drive
New Braunfels, Texas 78130-3045 USA
PH. (830) 629-2900
(800) 729-3839
FAX (830) 620-6711
(800) 653-3839
<http://www.detex.com>
USA Sales:
marketing@detex.com
International Sales:
export@detex.com

EAX® SERIES

EAX-4200

Door Management Alarm

The EAX-4200 Series Door Management Alarm offers door prop/door held, intrusion/door forced, and exit alarm detection capabilities to provide complete monitoring of access control points in one easy to use master unit. The DMA may also be used as a stand-alone device. The unit is typically mounted near the monitored door.

Specify the EAX-4200SK kit which includes ES4200-K4, RC65 rim cylinder, S3 finished back box, TP-24 plug-in transformer and MS-1039S mag switch.



Benefits

- Audible warning reduces false door held alarms
- Reduces workload of security personnel
- Aesthetically pleasing design
- Flexible interfacing with electric door locks
- Compatible with all access control systems
- Tamper resistant
- Encourages employees to maintain access control procedures
- Can be used as a stand-alone product
- Easy installation

Features

- Kit packaging provides all required accessories in one box
- Field selectable alarm timing and alarm delay option
- Alarm status relay for remote annunciation
- Field selectable: high (103dB) or low (96dB) level sounder
- Automatic alarm reset/rearm upon closure of door
- Mounts in a 3 gang box (included in kit)
- Uses standard rim cylinder
- Visual Status indicator
- Incorporates form C output relays
- Flush mount
- Reset/bypass keyswitch and remote input

Mechanical Options

- Key switch for alarm/shunt override
- Timer settings are field adjustable

Electrical Options

- Voltage sense input
- 4 separate Form C contacts - 1Amp @ 30VDC

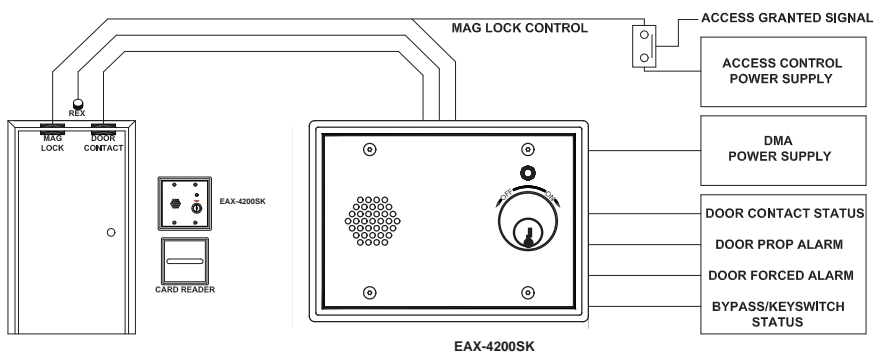
Technical Information

- 12 to 24VAC/VDC @ 250 mA
- 96 and 103dB field selectable

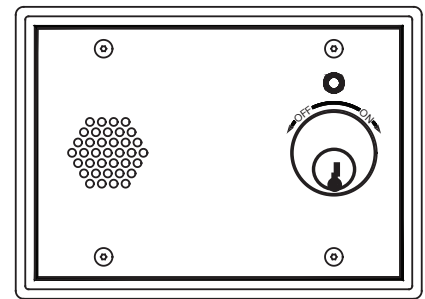
Finishes

- Painted aluminum

Riser Diagram



Dimensions



- 6.4" w x 4.5" h x 2.8" d

Detex Limited Warranty

3 Year Limited Manufacturers Warranty

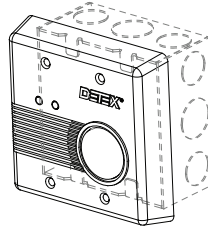
Where Trust is Built™
DETEX®
Life Safety and Security Door Hardware

Detex Corporation
302 Detex Drive
New Braunfels, Texas 78130-3045 USA
PH. (830) 629-2900
(800) 729-3839
FAX (830) 620-6711
(800) 653-3839
<http://www.detex.com>
USA Sales:
marketing@detex.com
International Sales:
export@detex.com

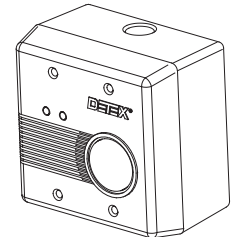
REMOTE ALARMS

CS-940/950F; CS-940/950S; CS-2940/2950F; CS-2940/2950S

The CS-900/2900 Series Remote Alarms are designed to sound an alarm when a signal is sent from a door switch or another alarm. The piercing 100dB alarm will alert management of a security breach even in a noisy environment. When the cause of the alarm has been secured, the remote alarm is automatically silenced.



CS-900/2900F Series
Flush Remote Alarm



CS-900/2900S Series
Surface Mounted
Remote Alarm

Benefits

- No cylinder required
- No cover lock required
- Saves cost
- Silencing the main alarm automatically resets the remote alarm.

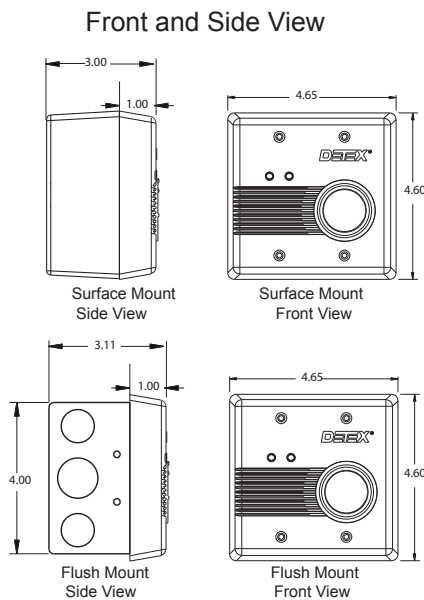
Features

- Installed in a double switch/ outlet box (flush units)
- LED's (green and red)

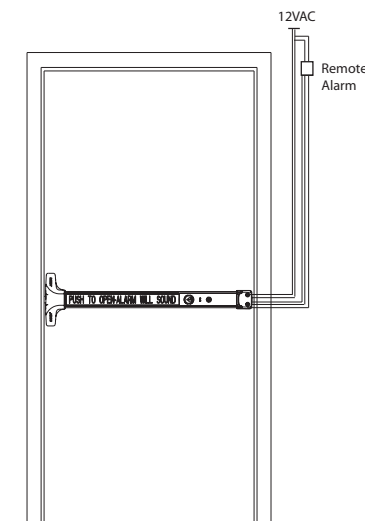
Technical Information

- 9 VDC
- Monitors an open loop

Dimensions



Riser Diagram



Where Trust is Built™
DETEX®
 Life Safety and Security Door Hardware

Detex Corporation
 302 Detex Drive
 New Braunfels, Texas 78130-3045 USA
 PH. (830) 629-2900
 (800) 729-3839
 FAX (830) 620-6711
 (800) 653-3839
<http://www.detex.com>
 USA Sales:
marketing@detex.com
 International Sales:
export@detex.com

MAGNETIC SWITCH

MS-2049F, MS-2049S, MS-2049SC, MS-2049SI

These magnetic switches are designed primarily to serve as sensing devices to detect the opening of a door or window; to assure that a protected door is securely under surveillance; to serve as a trigger for a wall-mounted Detex Exit Alarm; to signal that a door has been inadvertently left open; and to be used as a direct switch to set off many kinds of audio and visual alarms.



MS-2049F Flush
Magnetic Switch



MS-2049S Surface Mounted
Magnetic Switch



MS-2049SC Surface Mounted
Magnetic Switch
with conduit connector for use
with thin-wall conduit



MS-2049SI Surface Mounted
Magnetic Switch
for In-Swinging Doors

Benefits

- Provides assurance that protected doors are under surveillance
- Serves as a trigger for alarms or remote monitors
- UL listed for use on fire rated doors and assemblies

Features

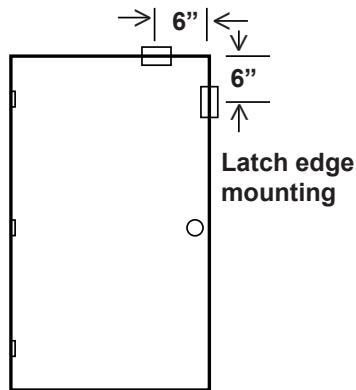
- Tamper protection - mounting screws inaccessible when door closed
- Components potted to protect against shock and moisture
- Easy installation with concealed wiring and color coded leads
- Surface mounted units are housed in a durable high impact ABS thermoplastic, a UL listed material used in the manufacture of telephones, auto bodies, etc.
- Wide range of alarm and signal applications
- Minimizes false signals due to loosely closed doors
- Switch rated for over one million operations under load

Technical Information

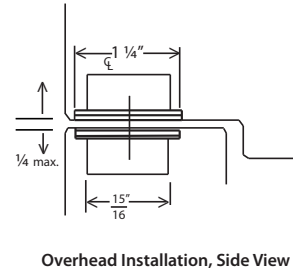
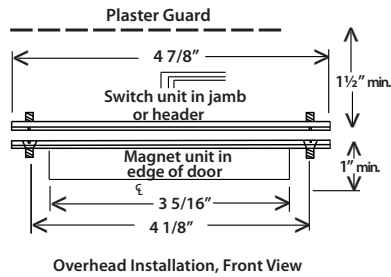
- Maximum contact ratings - 24VDC @ .5A
- For use on steel, aluminum or wood doors and frames
- May be mounted on stiles as narrow as 1-3/8"
- Overhead (preferred) or latch-stile mounting available for all models
- Switch - single pole, double throw (SPDT)
- The flush device (MS-2049F) should have the switch contact housed in the door frame and the magnet mortised in the edge of the door
- Wiring leads, 12" long, color coded, concealed

Riser Diagram

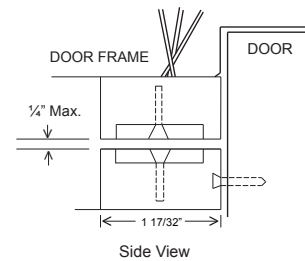
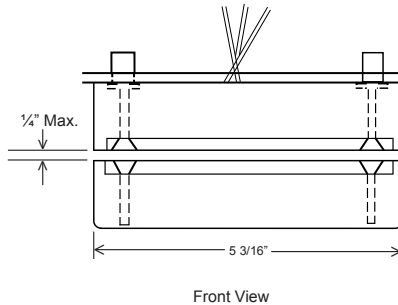
Overhead mounting (preferred)



Dimensions (MS-2049F)



Dimensions (MS-2049S)



Listings and Approvals



"UL Listed Miscellaneous Fire Door Accessories"
"UL Listed Door Position Switch"

Detex Limited Warranty

3 Year Limited Manufacturers Warranty

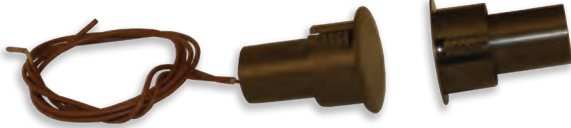
Where Trust is Built™
DETEX®
Life Safety and Security Door Hardware

Detex Corporation
302 Detex Drive
New Braunfels, Texas 78130-3045 USA
PH. (830) 629-2900
(800) 729-3839
FAX (830) 620-6711
(800) 653-3839
<http://www.detex.com>
USA Sales:
marketing@detex.com
International Sales:
export@detex.com

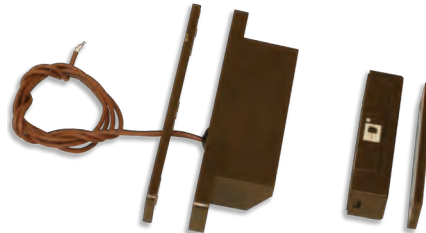
MAGNETIC SWITCH

MS-1039F, MS-1039S, MS-1059F, MS-1059S

These magnetic switches are designed primarily to serve as sensing devices to detect the opening of a door or window; to assure that a protected door is securely under surveillance; to serve as a trigger for a wall-mounted Detex Exit Alarm; to signal that a door has been inadvertently left open; and to be used as a direct switch to set off many kinds of audio and visual alarms.



MS-1039F (White) / MS-1059F (Brown)
Flush Magnetic Switch
(MS-1059F Shown)



MS-1039S (White) / MS-1059S (Brown)
Surface Mounted
Magnetic Switch
(MS-1059S Shown)

Benefits

- Anti-Tamper Design
- Serves as a trigger for alarms or remote monitors
- Provides assurance that protected doors are under surveillance
- Simple Installation
- BMS - Balanced Magnetic Switch provides improved security

Features

- Polarity selection is non-critical
- Flush switches are self-locking
- Color selection white/brown
- Flush switches are solid, one-piece design with no need for extra donut adapters
- Durable Magnet
- Wide range of alarm and signal applications

Technical Information

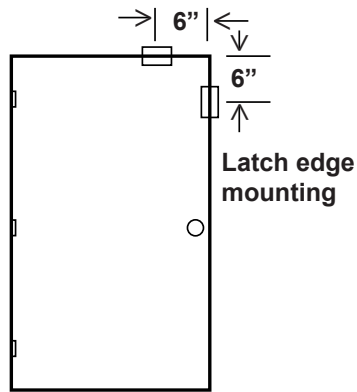
- Surface switches have Max. Contact rating 30VDC @ 250mA
- Flush switches have Max. Contact rating 28VDC, 0.5A, 10W
- For use on steel, aluminum or wood doors and frames
- Overhead (preferred) or latch-stile mounting available for all models
- Switch - single pole, single throw (SPST)
- Normally closed contact
- The MS-1039F (Flush mount) should have the switch contact housed in the door frame and the magnet mortised in the edge of the door

Finishes

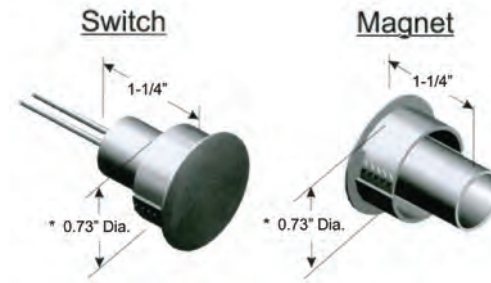
- MS-1039F/S - White
- MS-1059F/S - Brown

Riser Diagram

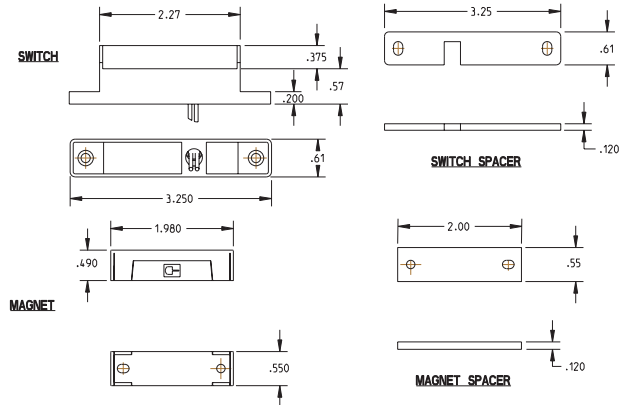
Overhead mounting (preferred)



Dimensions (MS-1039F/MS-1059F)



Dimensions (MS-1039S/MS1059S)



Detex Limited Warranty
 3 Years Limited Manufacturers
 Warranty

Where Trust is Built™
DETEX®
Life Safety and Security Door Hardware

Detex Corporation
 302 Detex Drive
 New Braunfels, Texas 78130-3045 USA
 PH. (830) 629-2900
 (800) 729-3839
 FAX (830) 620-6711
 (800) 653-3839
<http://www.detex.com>
 USA Sales:
marketing@detex.com
 International Sales:
export@detex.com

Life Safety and Security Door Hardware

REDI-KEY



Where Trust is Built™
DETEX®
Life Safety and Security Door Hardware

REDIKEY KEY VAULT

FS-3000 FS-3000S

The RediKey by Detex is a quick access system designed to provide emergency personnel rapid access to multiple buildings without having to carry numerous keys or change and alter existing locks. When these personnel arrive at the entry door, they unlock the keysafe with a key designed to open all building key safes in their area. They then remove the building entry key and unlock the door to provide the service needed. Featuring the Medeco patented biaxial high-security, drill resistant, mortise cylinder, the RediKey offers the highest security for your building's access key.



Benefits

- Around-the-clock, on-the-spot controlled access for the immediate security or support requirements of your business
- Empowers approved services like fire departments, police departments, guard service, janitorial services, armored guard services to respond quickly and decisively
- Reduces the costs of managing a large inventory of building facility keys
- One key allows rapid entry to multiple buildings/facilities
- Designed for highest security from attack and vandalism

Features

- Pickproof, drill resistant, MEDECO® mortise cylinder
- Burglar-proof, hardened steel weather-resistant vault casing
- Simple installation usually requires less than 1 hour of labor for doors up to 3" thick, walls and free standing posts
- Restricted Detex Key Control level prevents unauthorized key duplication
- Tamperproof mounting hardware
- UL rated anti-theft device

Electrical Options

- Maintained, SPDT switch for use on automatic gates

Accessories

- Padlock with steel shackle resists cutting or pulling attack

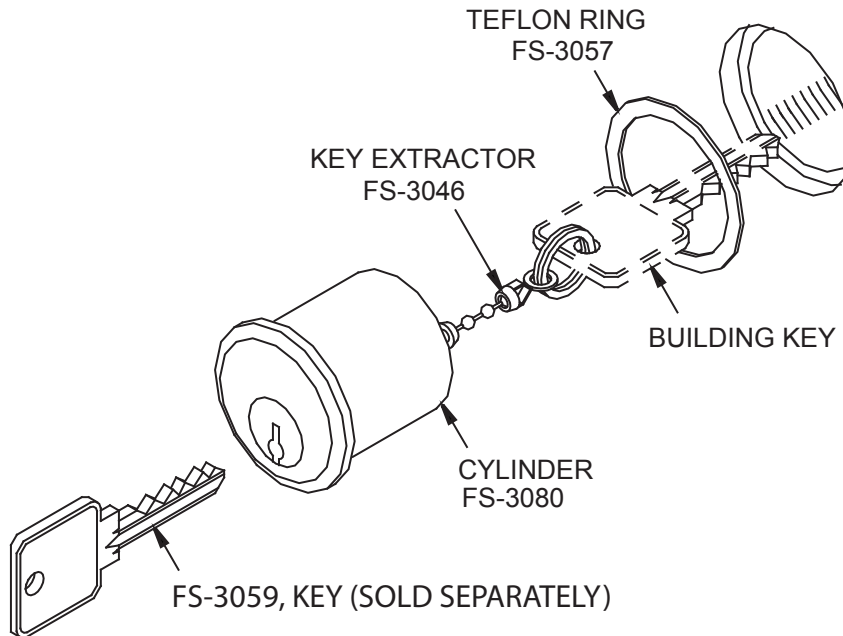
Dimensions

- * Dimensions: 4 1/4" long, 1 3/4" diameter
- * Weight: 2 1/2 pounds

Detex Limited Warranty

3 Year Limited Manufacturers Warranty

Cylinder Installation



Where Trust is Built™
DETEX®
Life Safety and Security Door Hardware

Detex Corporation
302 Detex Drive
New Braunfels, Texas 78130-3045 USA
PH. (830) 629-2900
(800) 729-3839
FAX (830) 620-6711
(800) 653-3839
<http://www.detex.com>
USA Sales:
marketing@detex.com
International Sales:
export@detex.com

Life Safety and Security Door Hardware



ACCESS CONTROL

STAND ALONE KEYPADS

DTX-2100 Series

Single Door Stand Alone Keypad

The DTX-2100 keypad uses hardened backlit keys and the DTX-2110 uses metal Braille alpha-numeric keys to ensure long-term durability and high-quality performance. DTX-2100/2110 keypads are designed for both indoor and outdoor surface/flush mount applications. The DTX-2120 mounts directly to mullion door frames or most flat surfaces with no backbox required. The convenience of the built-in doorbell feature on the DTX-2120 with the sleek design make it an easy choice for entrance installations. The electronics for each keypad are conformal coated in order to provide excellent protection from the elements.



DTX-2100
(Backlit Keypad)



DTX-2110
(Durable Metal Keypad - with braille)



DTX-2120
(Mullion Mount Backlit Keypad)

Benefits

- Affordable single-door security application in new or existing structures
- Dependable service and security in most environments
- Easy installation
- Multi-user capabilities
- Controls unauthorized access/egress
- Flexible programming capable

Features

DTX-2100

- 500 users
- Single gang flush mount design
- Backlit hardened keys
- Polycarbonate trim
- Conformal coating
- Light/Medium Duty
- Key press feedback via sounder and yellow LED
- Built-in assignable sounder
- Bi-color Red/Green LED indicates relay status
- Indoor/outdoor use
- Keypad programmable
- DTX-4000 Hub Manager Compatible
- 3 year warranty
- UL 294 Listed

DTX-2110

- 500 users
- Single gang flush mount design
- Metal braille alpha-numeric keys
- Brushed metal trim
- Conformal coating
- Harsh conditions/Heavy duty
- Key press feedback via sounder and yellow LED
- Built-in assignable sounder
- Bi-color Red/Green LED indicates relay status
- Indoor/outdoor use
- Keypad programmable
- DTX-4000 Hub Manager Compatible
- 3 year warranty
- UL 294 Listed

DTX-2120

- 120 users
- Surface mount - fits on door mullion
- Backlit hardened keys
- Aluminum enclosure
- Conformal coating
- Light/Medium duty
- Door position monitoring
- Door ajar, forced door, alarm shunt outputs
- Sounder
- Indoor/outdoor use
- Door bell relay
- 3 year warranty
- UL 294 Listed

Features Continued

DTX-2100

- Relay Contact Rating 2A @ 30VAC/DC (Main & Aux.)
- Door Position Inputs
- Request to Exit Input
- Alarm Shunt
- Temperature tolerance: -20F to 130F

DTX-2110

- Relay Contact Rating 2A @ 30VAC/DC (Main & Aux.)
- Door Position Inputs
- Request to Exit Input
- Alarm Shunt
- Temperature tolerance: -20F to 130F

DTX-2120

- 3 - 1 amp SPDT relays in controller
- Door Position Inputs
- Request to Exit Input
- Alarm Shunt
- Temperature tolerance: -20F to 130F

Technical Information

• 10-30 VDC; 12-24 VAC auto-adjusting

• 30 mA

• Power Supply 90-800

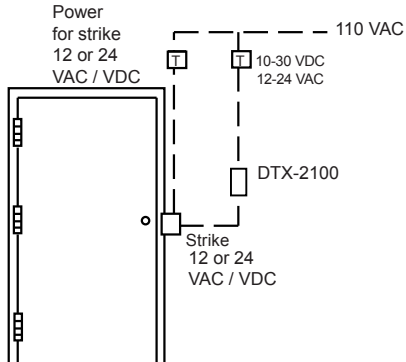
• Transformers - Hard Wired
Detex P/N - PP-5152-2 (24 VAC)
PP-5152-3 (12 VAC)

• Transformers - Plug In
TFMR12 (12VDC)

(Contact Factory for additional Power Supply Options)

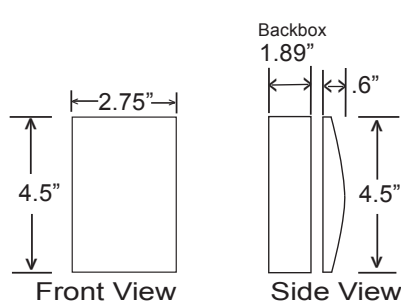
• Electric strike or other locking device powered at 12 or 24 VAC up to 2 amps

Riser Diagram

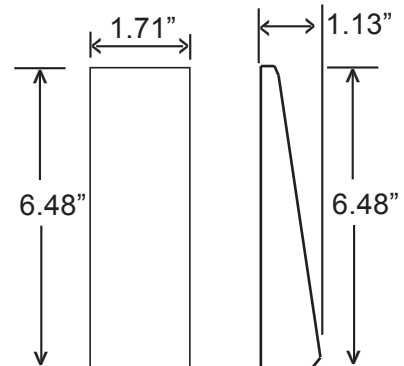


Dimensions

DTX-2100 and DTX-2110



DTX-2120



Listings and Approvals



U.L. 294 Listed

Detex Limited Warranty

3 Year Limited Manufacturers Warranty

Where Trust is Built™
DETEX®
Life Safety and Security Door Hardware

Detex Corporation
302 Detex Drive
New Braunfels, Texas 78130-3045 USA

PH. (830) 629-2900

(800) 729-3839

FAX (830) 620-6711

(800) 653-3839

<http://www.detex.com>

USA Sales:

marketing@detex.com

International Sales:

export@detex.com

Stand-Alone Proximity Reader/Keypad

DTX-2300 Series

Single Door Stand Alone Proximity Reader/Keypad

The DTX-2300 is a stand alone single door access control with a proximity reader and keypad. The DTX-2300, when used on it's own, provides cost effective standard access control functionality with the use of it's two relays and two inputs for request to exit and door position. The proximity reader is capable of being mounted up to a maximum of 10 feet away from the DTX-2300 (see image below).



Reader/Keypad



Remove proximity reader from keypad to mount reader and wire up to 10 feet away from DTX-2300 keypad.

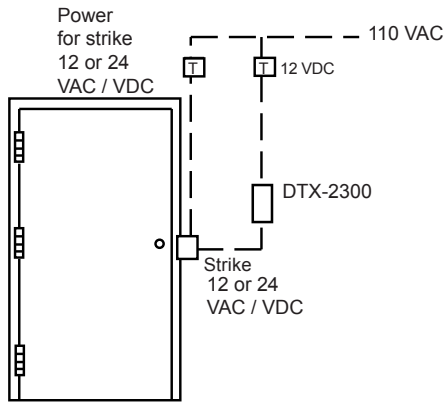
Features

- Proximity reader and keypad
- Bi-color LED to indicate operation
- Weather resistant design
- 2000 Users
- HID 26 - 40 bit format card compatibility
- Weigand compatible
- HID Corporate 1000 compatible
- Remote proximity reader mounting and glass mount option
- No audit trail available in stand alone unit
- 3 year warranty
- UL 294 Listed

Technical Information

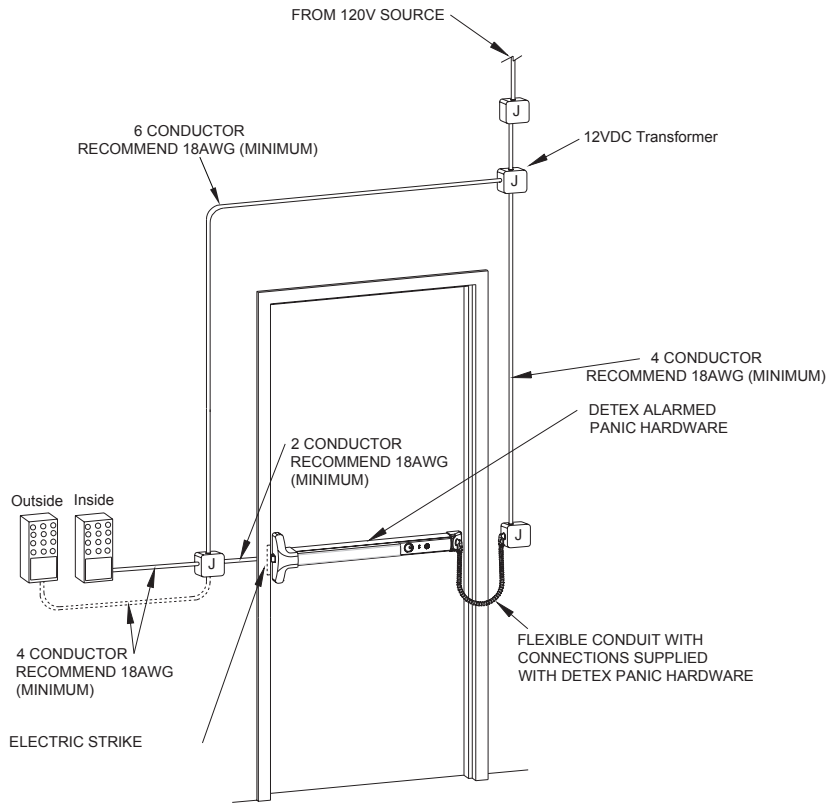
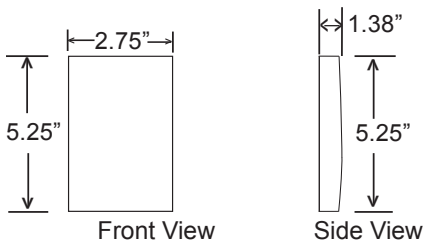
- Dimensions: 2.75" W x 5.25" H x 1.38" D
- Operating voltage: 12 VDC only
- Temperature tolerance: -31F to 150F
- Main relay: Form C 2 amp SPDT controls lock
- Auxiliary Relay: Form C 1 amp SPD
- Request to Exit Input
- Indoor / outdoor use

Riser Diagram



Dimensions

DTX-2300 Stand Alone



Listings and Approvals



U.L. 294 Listed

Detex Limited Warranty

3 Year Limited Manufacturers
Warranty

Where Trust is Built™
DETEX®
Life Safety and Security Door Hardware

Detex Corporation
302 Detex Drive
New Braunfels, Texas 78130-3045 USA

PH. (830) 629-2900

(800) 729-3839

FAX (830) 620-6711

(800) 653-3839

<http://www.detex.com>

USA Sales:

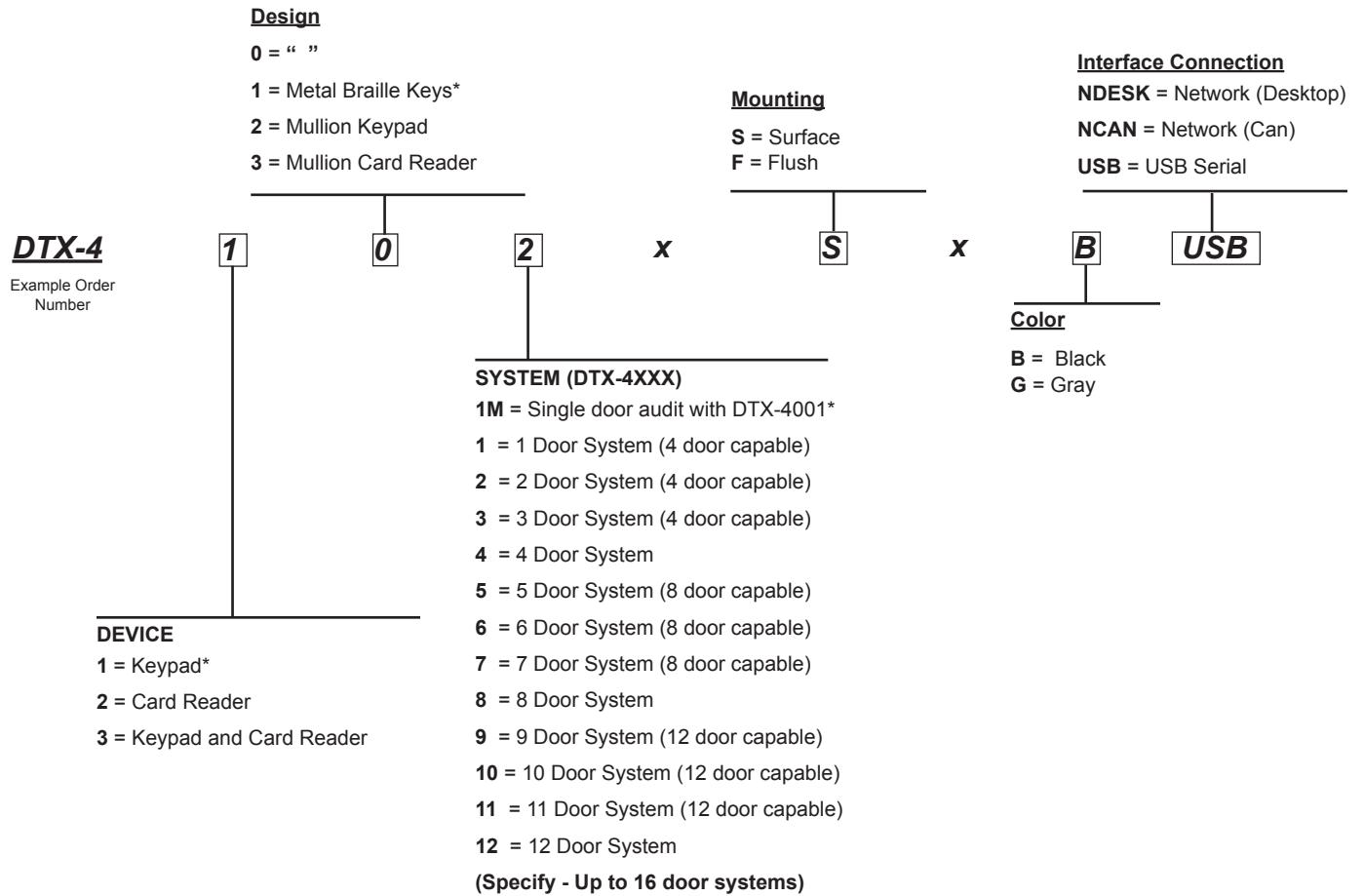
marketing@detex.com

International Sales:

export@detex.com

DTX[®]-4000 SERIES ACCESS CONTROL

HOW TO ORDER



* Default if left blank

ACCESS CONTROL SYSTEM

DTX-4100 Series

Multi-Door Access System with Keypad and USB or Network

The Multi-Door access system with software is “access simplified”. The system is powerful and easy to install and program for small to mid-sized applications. It provides a secure and trusted access control system that uses proven hardware architecture. System management from a PC can be either over a LAN/WAN connection or through a RS485 serial connection. All individual door access decisions and transaction events are stored at the module. Programming is done via LAN, WAN, or RS-485, using the Hub Manager Professional Software. System expansion is made simple with the modular design of the two available configurations (DTX-4004 or DTX-4001). The DTX-4004 provides the simplest expansion of one to four doors per cabinet when the system needs to be installed in a central location. The DTX-4001 configuration (single door control system) is ideal for applications where the doors are far apart and/or the control is located at the door.



Benefits

- Affordable multi-door security application in new or existing structures
- Fast and reliable communications
- Dependable service and security in all environments
- Multi-user capabilities
- Flexible programming capable
- Easy installation
- Controls unauthorized access/ egress

Features

- **DTX-410X** (X denotes # of doors)
- 2000 users per door
- Network up to 16 doors
- 2000 transaction storage per door
- First-In auto unlock
- 8 time zones per door
- 15 Single date holidays per door
- 15 Block date holidays per door
- Error Lockout
- Supports adjustable Daylight Savings Time
- Programmable with Hub Manager Professional Software 7.2 or higher
- Serial connection made with USB to 485 converter
- Single gang flush mount design
- Keypads: Backlit hardened keys, durable metal (with braille) keys or mullion mount backlit keys
- Polycarbonate trim
- Conformal coating
- Key press feedback via sounder and yellow LED
- Built-in assignable sounder
- Bi-color Red/Green LED indicates relay status
- Indoor/outdoor use
- 3 year warranty
- UL 294 Listed

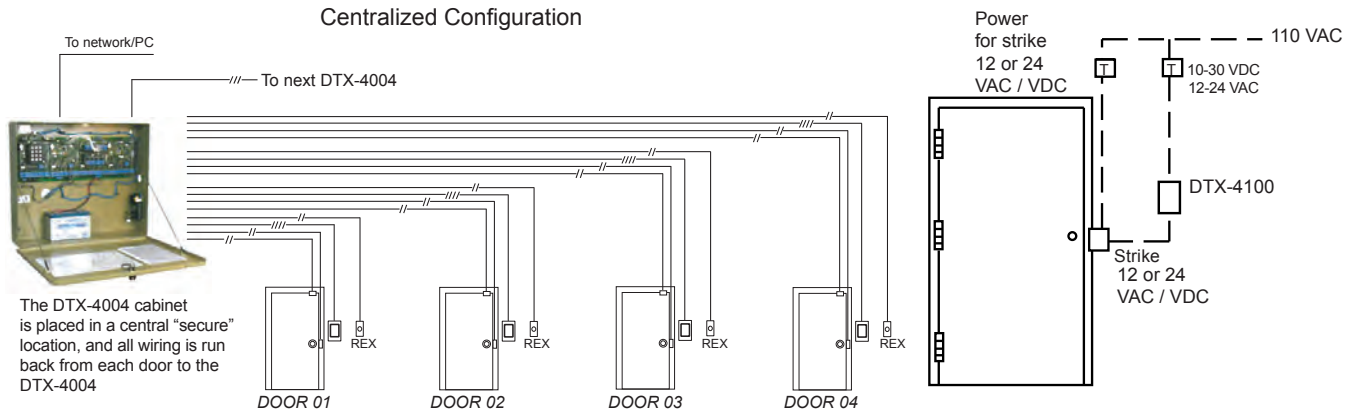
Technical Information

- Relay Contact Rating for DTX-4100 or DTX-4110: 2A@ 30VAC/DC (Main & Aux.) and Relay Contact Rating for DTX-4120: 3 - 1 amp SPDT relays in controller
- Request to Exit Input
- Independent Outputs
- Configurable Outputs
- Wiegand Outputs

Technical Information Continued

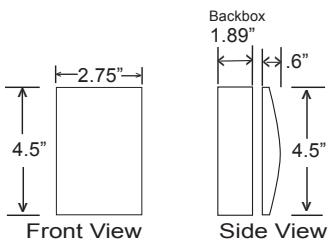
- Operating Voltage: 16.5 VAC
40 VA Class 2 Transformer
(Plug-In Transformer included)
- Current Requirements: 100mA
(backplane & 1 module) add 40mA
for each module / DTX-4004 -
Current Requirements: 120mA
- Alarm shunt, door ajar, forced door
outputs: 12-24 VAC/DC 1mA each
- Temperature tolerance:
-20F to 130F
- DTX-4004 / DTX-4001: Indoor
use only

Riser Diagram

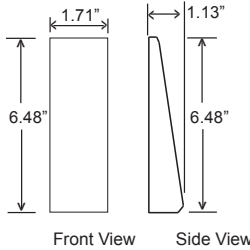


Dimensions

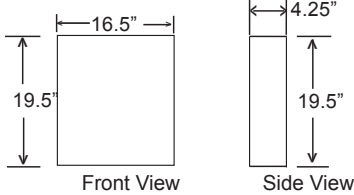
DTX-4100 and DTX-4110



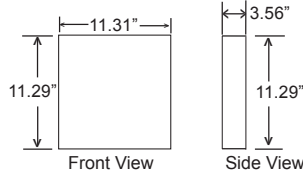
DTX-4120



DTX-4004



DTX-4001



How to Order

Misc. Options
0 = Backlit Hardened Keys *
1 = Metal Braille Keys
2 = Mullion

Interface Connection
NDESK = Network (Desktop)
NCAN = Network (Can)
USB = USB Serial

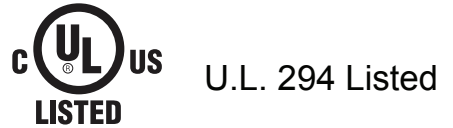
DTX-4
Example Order Number: 1 2 7 x USB

Device
1 = Keypad
3 = Keypad/Card Reader

SYSTEM
1 = 1 Door System (4 door capable)
1 = 1 Door System (4 door capable)
2 = 2 Door System (4 door capable)
3 = 3 Door System (4 door capable)
4 = 4 Door System
5 = 5 Door System (8 door capable)
6 = 6 Door System (8 door capable)
7 = 7 Door System (8 door capable)
8 = 8 Door System
(Specify up to 16 door systems)
M = Single door audit with DTX-4001

* Default if left blank

Listings and Approvals



Detex Limited Warranty

3 Year Limited Manufacturers
Warranty



Detex Corporation
302 Detex Drive
New Braunfels, Texas 78130-3045 USA
PH. (830) 629-2900
(800) 729-3839
FAX (830) 620-6711
(800) 653-3839
<http://www.detex.com>
USA Sales:
marketing@detex.com
International Sales:
export@detex.com

ACCESS CONTROL SYSTEM

DTX-4300 Series

Multi-Door Access System with Proximity Reader/Keypad and USB or Network

The DTX-4300 Series is a fully integrated PC managed multi-door access system with a proximity reader and keypad. The DTX-4300, when used on its own, provides standard access control functionality with the use of its two relays and two inputs for request to exit and door position, and enhanced system functionality when used with Hub Manager Professional software. The software allows the management of people and doors through easy to create reports and step by step wizard assisted expanded feature functionality. The software can communicate to the DTX-4300 either through a 485 connection, or on a LAN/WAN using the SEG-1 TCP/IP communication device. By utilizing the proximity reader and keypad together, a higher level of security is achieved by requiring both to grant access. The DTX-4300 can be directly mounted to a single gang electrical box or to most flat surfaces. The proximity reader is capable of being mounted up to a maximum of 10 feet away from the DTX-4300.



**Example shown:
DTX-4302xUSB**

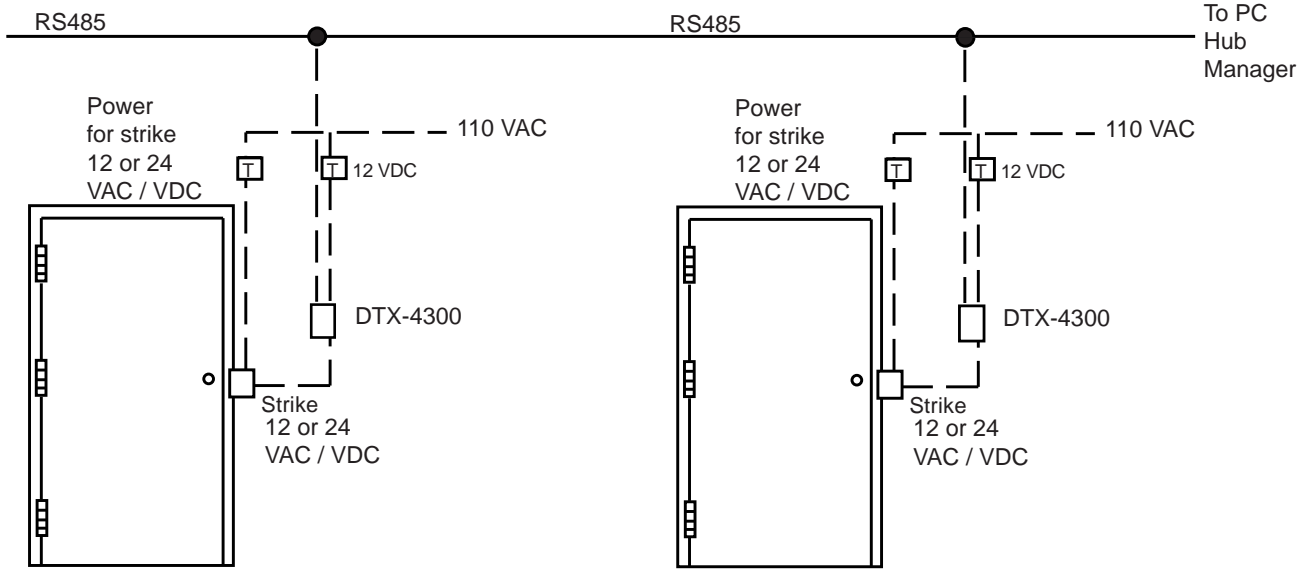
Features

- Integrated door control, proximity reader and keypad
- 2000 users
- 2000 event audit trail
- 32 doors per site (when managed with Hub Manager Professional)
- Bi-color LED to indicate operation
- Weather resistant design
- HID 26 - 40 bit format card compatibility
- Wiegand compatible
- HID Corporate 1000 compatible
- Fits over a single gang electrical box
- Communication via - SEG-1 (LAN/WAN) or USB to 485 converter
- Remote proximity reader mounting and glass mount option
- 3 year warranty
- UL 294 Listed

Technical Information

- Dimensions: 2.75" W x 5.25" H x 1.38" D
- Temperature tolerance: -31F to 150F
- Auxiliary Relay: Form C 1 amp SPDT
- Operating voltage: 12 VDC only
- Main relay: Form C 2 amp SPDT
- Request to Exit Input

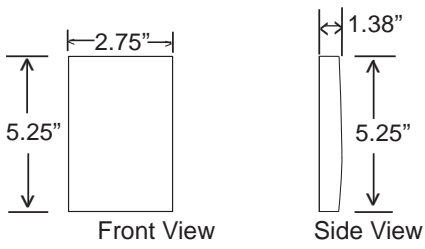
Riser Diagram



The Access Control System located at the door, acts as the reader and the controller. The wire connections are made at each door.

Dimensions

DTX-4300 Series



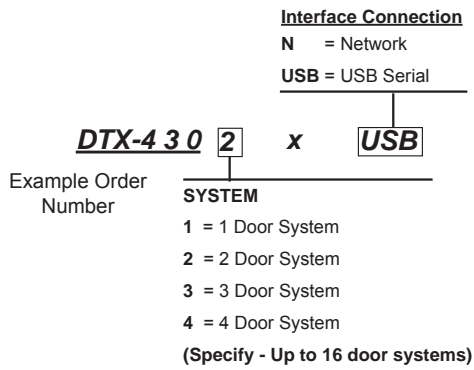
Listings and Approvals



Detex Limited Warranty

3 Year Limited Manufacturers Warranty

How to Order

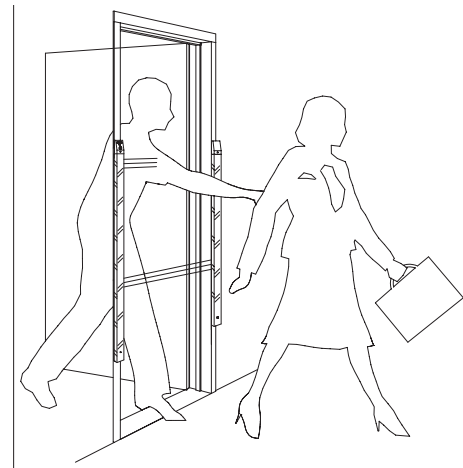


Detex Corporation
 302 Detex Drive
 New Braunfels, Texas 78130-3045 USA
 PH. (830) 629-2900
 (800) 729-3839
 FAX (830) 620-6711
 (800) 653-3839
<http://www.detex.com>
 USA Sales:
marketing@detex.com
 International Sales:
export@detex.com

Tailgate Detection System

AT-5200 Series

The Detex AT-5200 Series Tailgate Detection System assures that only one individual enters a secured doorway for each authorized card read; compatible with most card reader technologies the AT-5200 is easy to retrofit. This unique and cost effective optical security system, which uses unique algorithms and infrared sensor beams to detect tailgating, is perfectly suited for areas requiring tighter security. The potential applications for the AT-5200 are unlimited, however typical applications include employee entrances, computer rooms, bank vaults, dorm entrances, and areas with restricted access. Its subtle design does not distract from interior aesthetics and it mounts easily on standard door frames.



Benefits

- Adds additional security to a restricted area where unauthorized entry must be controlled
- Integrated door prop alarm for additional security
- Compatible with most access control systems and easily retrofits, providing enhanced security
- High throughput easy entry or exit for authorized personnel
- Encourages employees, students, visitors, etc. to maintain access control procedures
- ADA compliant
- Blends in with architectural styling

Features

- Local control/annunciator; unauthorized access/egress is annunciated locally and with the access control system
- Key switch for local alarm shunt/override
- Alarm can be reset through an on-board timer
- Mounts on standard width door frame or wall
- Spacer mounting kit standard, can be used as a raceway for wiring
- Alarm can be reset by a remote contact
- Remote annunciator plates, fit in a single gang box
- Status indicator lights (Wait or Proceed)
- Field configurable for card in/card out or card in/free exit operation
- Adjustable access period
- Alarm status relays for remote annunciation
- Tamper Switch

Mechanical Options

- Spacer Mounting Kit (order separately)
- 1 gang Remote Annunciator Plate (included with AT-5200-R1)
- Mullion Mount Remote Annunciator plate (specify AT-5200-R2)

Electrical Options

- MS-1039 Magnetic Door Contacts (optional)
- 80-800 Power Supply (12VDC option)

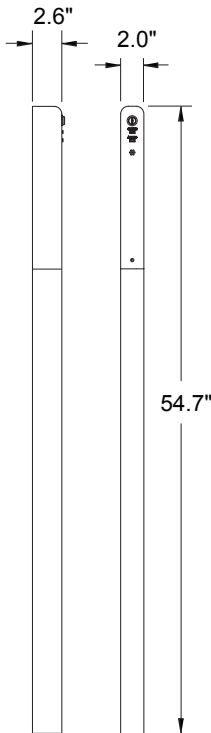
Technical Information

- 12 VDC @ 500mA
- Direct mounting to doorframe or wall by using optional spacer mounting kit
- Alarm Sound Level - 70dB @ 10 inches

Finishes

- Dark Bronze with IR Plexiglas cover

Dimensions



Listings and Approvals



Meets ADA Requirements

Detex Limited Warranty

3 Year Limited Manufacturers Warranty

Where Trust is Built™
DETEX®
Life Safety and Security Door Hardware

Detex Corporation
302 Detex Drive
New Braunfels, Texas 78130-3045 USA
PH. (830) 629-2900
(800) 729-3839
FAX (830) 620-6711
(800) 653-3839
<http://www.detex.com>
USA Sales:
marketing@detex.com
International Sales:
export@detex.com

Life Safety and Security Door Hardware



KEYSWITCHES

CS-400 Series

The CS-400 series Keyswitches are designed as control devices for use with Access Control Systems, Delayed Egress, Electric Dogging and Exit Alarms. Other products that require remote input may also use one of these switches. The 430 and 450 models use momentary switches; the 440 and 460 models use maintained switches.



CS-432, CS-442, CS-452
and CS-462
(2 LEDs - red and green)
Shown with Cylinder
(Cylinder sold separately)



CS-430, CS-440, CS-450
and CS-460
(No LED)
Shown with Cylinder
(Cylinder sold separately)

Benefits

- Available in eight different configurations to meet many different requirements
- Easily fits standard switch outlet box, 1 7/8" deep minimum

Features

- Accepts any standard 5, 6 or 7 pin mortise cylinder with Yale cam
- Heavy duty, extruded stainless steel faceplate
- LED's (green and red) allow 12 or 24 VDC input
- Maintained, momentary switches available
- 2-position switch bracket allows for clockwise and counter-clockwise rotation of cylinder

Technical Information

- Momentary Switch - Form C contacts, 5 amp rating (Switch activated when pushed, deactivated when released)
- Maintained Switch - Form C contacts, 5 amp rating (Switch activated when pushed, deactivated when pushed again)
- 2.75" wide x 4.5" high x 1.75" deep
- When used with a 7 pin cylinder, use collar, Detex p/n 103003

Where Trust is Built™
DETEX®
Life Safety and Security Door Hardware

Detex Corporation
302 Detex Drive
New Braunfels, Texas 78130-3045 USA
PH. (830) 629-2900
(800) 729-3839
FAX (830) 620-6711
(800) 653-3839
<http://www.detex.com>
USA Sales:
marketing@detex.com
International Sales:
export@detex.com

ELECTRIC STRIKES

DS-1481 & DS-1581

Rim Strikes

A series of electric strikes for use exclusively on rim panic hardware, these quality products were designed for easy installation and years of trouble-free security. The DS-1581, with its infrared monitoring capabilities, can send a signal to a remote station, trigger video surveillance, and monitor a local alarm.



DS-1481



DS-1581 LBM



DS-1581

Benefits

- Easy surface mounting saves time and money
- Stainless steel construction provides years of reliable service
- Field-selectable fail secure/fail safe design provides customer selection of security features
- Quiet operation

Features

- One-piece locking mechanism provides incredible strength, durability and reliability
- 3,000 plus pounds of holding force
- Unique four-pin anchoring system provides support beyond standard two tapped mounting holes
- Non-handed
- Accommodates up to 3/4" Pullman latch
- BHMA Grade 1

Benefits

- Similar to DS-1481 with an added non-contact monitor for latch bolt
- Easy surface mounting saves time and money
- Adaptable wiring schematics allow application choices
- Non-mechanical operation extends life and decreases maintenance

Features

- All the features of the DS-1481 plus the sensor is concealed with the unit
- Sensor requires no adjustment
- Detects radiant infrared reflections of the latch and ignores ambient light

Benefits

- New and retrofit installations in metal or wood frames
- Outdoor rating allows installation anywhere
- Great for gates

Features

- All the features of the DS-1481 plus the sensor is concealed with the unit
- Sensor requires no adjustment
- Detects radiant infrared reflections of the latch and ignores ambient light

Technical Information (1481)

- Max Current Draw:
12VDC = 217mA
24VDC = 99mA
12 VAC = 181 mA
24 VAC = 87 mA
- Built-in surge and kickback protection
- Life-cycle tested to 1.5 million plus

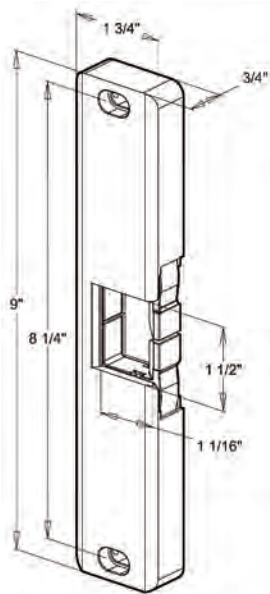
Technical Information (1581 LBM)

- Max Current Draw:
12VDC = 217mA
24VDC = 99mA
12 VAC = 181 mA
24 VAC = 87 mA
- Built-in surge and kickback protection
- Life-cycle tested to 1.5 million plus
- SHARP® Infrared optical sensor
- Normally Open and Normally Closed contact terminals
- Single pole, double throw, Form "C" relay, 1Amp @ 24VAC or 24VDC
- Sensor Power - 12 through 30VDC only

Technical Information (1581)

- 12/24 VDC
- Life cycle 1 million cycles plus
- Fail secure/Fail safe selectable
- Handed: field selectable
- UL 1034 Indoor/Outdoor Listed

Dimensions



Detex Limited Warranty

1 Year Limited Manufacturers Warranty

Where Trust is Built™
DETEX®
Life Safety and Security Door Hardware

Detex Corporation
302 Detex Drive
New Braunfels, Texas 78130-3045 USA
PH. (830) 629-2900
(800) 729-3839
FAX (830) 620-6711
(800) 653-3839
<http://www.detex.com>
USA Sales:
marketing@detex.com
International Sales:
export@detex.com

MULTI-ZONE ANNUNCIATORS

RP-600 SERIES

The RP-600 multi-zone annunciators are innovative door management products that provide an efficient means of displaying the condition of security devices throughout a monitored facility. An RP-600 multi-zone annunciator serves to provide visual and audible indication of alarms as they occur, giving security personnel the ability to monitor a large complex from a single location.



8 Zone Annunciator



12 Zone Annunciator

Benefits

- State-of-the-art monitoring in compact package
- Electronics organized into modules for wide range capabilities
- Provides visual and audible indications allowing monitoring of a large complex from a single location

Features

- Available 8-zone (RP-621) or 12-zone (RP-631)
- Zone shunt allows user to by-pass any selected zone
- Latch control assures point of alarm is reset
- Offers standard or optional controls
- Bi-colored LEDs easily identify status
- Utilizes standard 2 or 4 gang deep electrical mounting boxes - not provided
- Pushbutton reset
- 12VDC

Dimensions

- RP-621 - 8 Zone
4.6"W x 4.6"H x 2.5"D
- RP-631 - 12 Zone
6.4"W x 4.6"H x 2.5"D

Detex Limited Warranty

3 Year Limited Manufacturer's Warranty

Where Trust is Built™
DETEX®
Life Safety and Security Door Hardware

Detex Corporation
302 Detex Drive
New Braunfels, Texas 78130-3045 USA
PH. (830) 629-2900
(800) 729-3839
FAX (830) 620-6711
(800) 653-3839
<http://www.detex.com>
USA Sales:
marketing@detex.com
International Sales:
export@detex.com

MAGNETIC LOCKS

ML-1548 ML-1558

1500+ lb. Electromagnetic Lock

The Detex ML-1500 Series, Grade 1 Magnetic Lock meets or exceeds 1500 lbs. of holding force to the separation point. This is powerful enough to hold many doors against a force that will deform or destroy the door before the ML-1500 can be forced open. Positive, instantaneous failsafe operation is guaranteed, with no moving parts to bind or wear, the ML-1500 Series will release immediately when de-energized by Fire Life Safety System or remote controls.



ML-1548
628 Aluminum Finish



ML-1558
711 Black Finish

Benefits

- Easy mounting, time saving installation
- Secure 1500+ lbs of holding force deters forced entry
- Matches any application or décor
- Physical installation of lock may be made before or after wiring is run
- Maintenance free operation with no moving parts

Features

- Peel-n-stick paper template
- Non-handed
- Built-in spike protection
- Interlocking slide mounting plate makes installation easy
- All steel magnetic core construction
- Electronics module provides numbered terminal block connections, eliminating wire nuts
- Plated and anodized surfaces
- 12 / 24 VDC voltage sensing input

Mechanical Options

- ML-1548 - Aluminum 628 finish
- ML-1558 - Black 711 finish

Electrical Options

- RT - Relock Timer - 0-110 seconds

Accessories

- Brackets

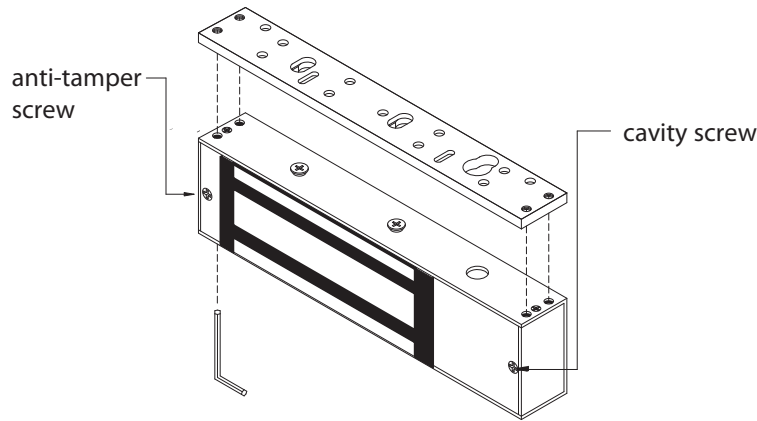
Technical Information

- All steel magnetic core construction
- Housing is heavy aluminum
- .280mA @ 24VDC, .280mA @ 12VDC

Finishes

- 628 - Aluminum
- 711 - Black

Mounting Diagram



Dimensions

- Magnetic Lock - 10.5" L x 2.875" H x 1.625" D
- Armature - 7.4375" L x 2.375" H x .625" D

Listings and Approvals



LISTED



Meets ADA requirements



UBC 97, Standard 7-2 and UL10C for positive pressure



ANSI/BHMA certified A156.23 - 1992



Meets NFPA 80 & 101 for Life Safety



California State Fire Marshal - 3774-0324:100

City of New York MEA 61-95-E

Detex Limited Warranty

3 Year Limited Manufacturers Warranty



Detex Corporation
302 Detex Drive
New Braunfels, Texas 78130-3045 USA
PH. (830) 629-2900
(800) 729-3839
FAX (830) 620-6711
(800) 653-3839
<http://www.detex.com>
USA Sales:
marketing@detex.com
International Sales:
export@detex.com