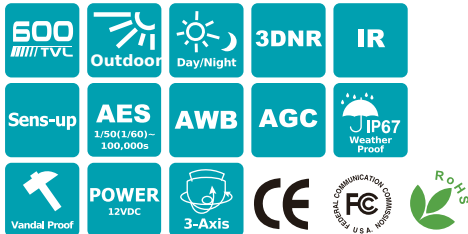


EMD332

600TVL Vandal-Proof Mobile IR Mini Dome Camera



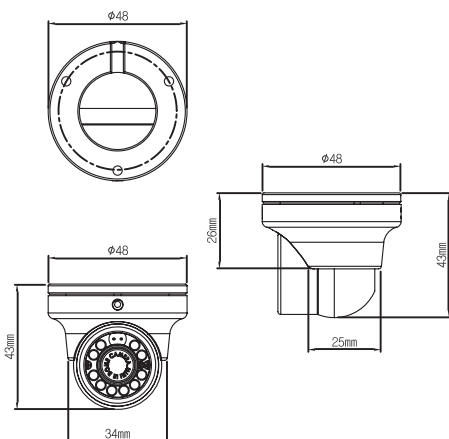
Features

- 600TVL high resolution image quality with 1/3" SONY Super HAD CCD II Sensor.
- The starlight Super-high sensitivity of 0.00001 Lux / F=1.2 is achieved by Digital Slow Shutter (Sens-Up 32x).
- Built-in 3.4 mm pinhole lens.
- 10 IR LEDs for enabling the night visibility of up to 10 m / 32.8 ft (Indoor) and 5 m / 16.4 ft (Outdoor)
- Support 3D-Noise Reduction
- Support Auto Electronic Shutter (AES), Auto Gain Control (AGC), Auto White Balance (AWB)
- 3-Axis facilitates for easy angle adjustment
- IP67 weather-proof
- Vandal-proof

Specifications

Camera	
Horizontal Resolution	600TVL
Pickup Device	1/3" Sony Super HAD CCD II
Video Format	NTSC / PAL
Image Pixels	768 x 494 (NTSC), 752 x 582 (PAL)
Lens	3.4 mm pinhole lens
Sensitivity	0.00032 Lux @ F=1.2 ; 0.00001 Lux(Sens-up 32x) ; 0 Lux (IR LED on)
Shutter Time	1/50(1/60) ~ 1/10,000sec.
Video	
Video Output	BNC 1.0 Vp-p, 75Ω
Day & Night	Electronic Day & Night
S/N Ratio	Over 52dB (AGC OFF)
IR LED (units)	10
IR Range	Indoor : 10m / 32.8 ft. ; Outdoor : 5m / 16.4 ft.
Gamma Correction	0.45
AGC	Yes
AWB	Yes
Function	
DNR	3 DNR
Digital Slow Shutter	Yes (Sens-up to 32x)
General	
Sync. Mode	Internal
Weather Resistant	IP67
Vandal Proof	Yes
Power Source	12 VDC
Power Consumption	12 VDC: 3W max.
Operating Temperature	-10°C~50°C / 14°F~122°F
Dimensions (O.D.xH)	48 x 43mm / 1.9" x 1.7"
Weight	130g / 0.29 lbs
Certificates	CE FCC

Dimensions



* All product specifications are subject to change without notice

* Models vary in different countries. Please visit EverFocus regional websites for detailed ordering information

* Lens models and availability vary in different regions